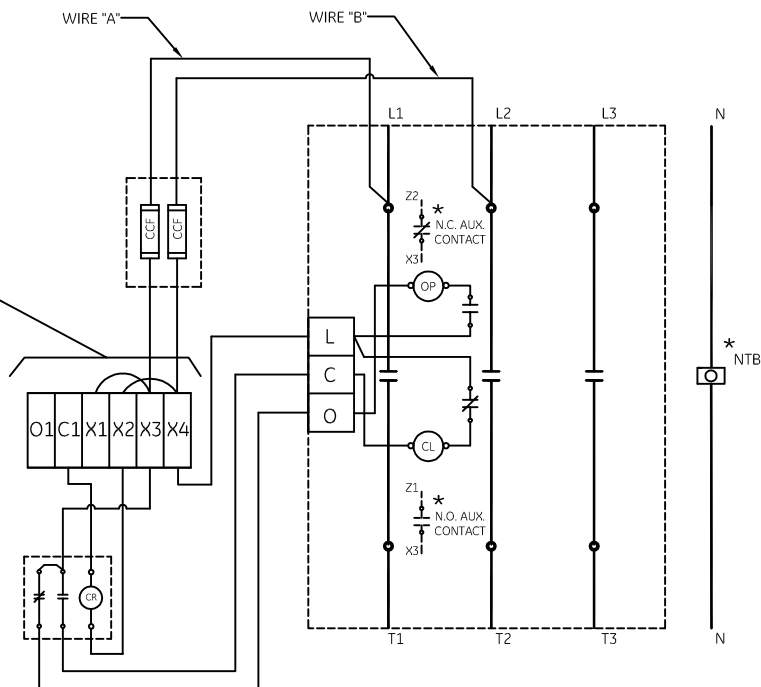


MAKE CONNECTIONS AS SHOWN IN DIAGRAMS AT LEFT



CR160MC MECHANICALLY HELD CONTACTOR WIRING OPTIONS USE FOR 2- WIRE CONTROL, WHEN COIL VOLTAGE IS SAME AS CONTROL VOLTAGE.

NOTE:
ADDITIONAL OVER-CURRENT PROTECTION FOR CONTROL CIRCUIT MAY BE REQUIRED.
REFER TO THE NATIONAL ELECTRIC CODE OR LOCAL ELECTRIC CODE AS REQUIRED.

WHEN COIL AND LINE VOLTAGES ARE DIFFERENT REMOVE WIRE "A" & "B".

ORDER KIT NUMBER FROM THE FOLLOWING TABLE

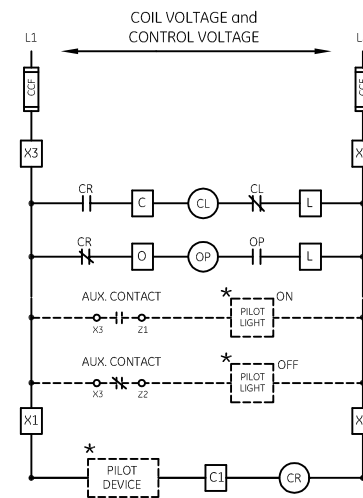
CONDUIT SIZE	KIT NUMBER
1/2-IN CONDUIT	55-213403G001
3/4-IN CONDUIT	55-213403G002
1-IN CONDUIT	55-213403G003
1 1/4-IN CONDUIT	55-213403G004
1 1/2-IN CONDUIT	55-213403G005
2-IN CONDUIT	55-213403G006
2 1/2-IN CONDUIT	55-213403G007
3-IN CONDUIT	55-213403G008

	RATING	WIRE RANGE AWG or kcmil	CONTACTOR TORQUE LB-IN	NEUTRAL TB TORQUE LB-IN
USE 75°C, COPPER CONDUCTORS ONLY FOR FIELD WIRING. TORQUE CONTACTOR AND NEUTRAL TERMINAL BOARD AS SHOWN AT RIGHT:	30A	#14 - #10 #8 #6	35 40 45	20 25 35
	60 - 100A	#14 - #10 #8 #6 - #4 #2 - #1/0	35 40 45 50	50 50 120 120
	150A	#6 - 250	275	275
	200-225A	#6 - 350	375	275

NOMENCLATURE

- OP - OPENING COIL
- CL - CLOSING COIL
- CCF - CONTROL CIRCUIT FUSE
- NTB - NEUTRAL TERMINAL BOARD
- CR - CONTROL RELAY
- * - IF USED

AN #	THIRD ANGLE PROJECTION	SHEET #
10-9104		1 OF 1



GE imagination at work

WIRING DIAGRAM
CR160MC LIGHTING CONTACTOR

DWG NO.	DATE	REV
55-686608	04/18/2010	1