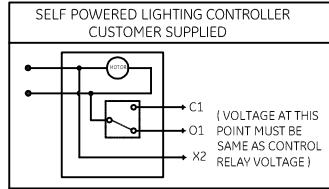


*** TABLE : OPTIONAL PILOT LIGHTS**

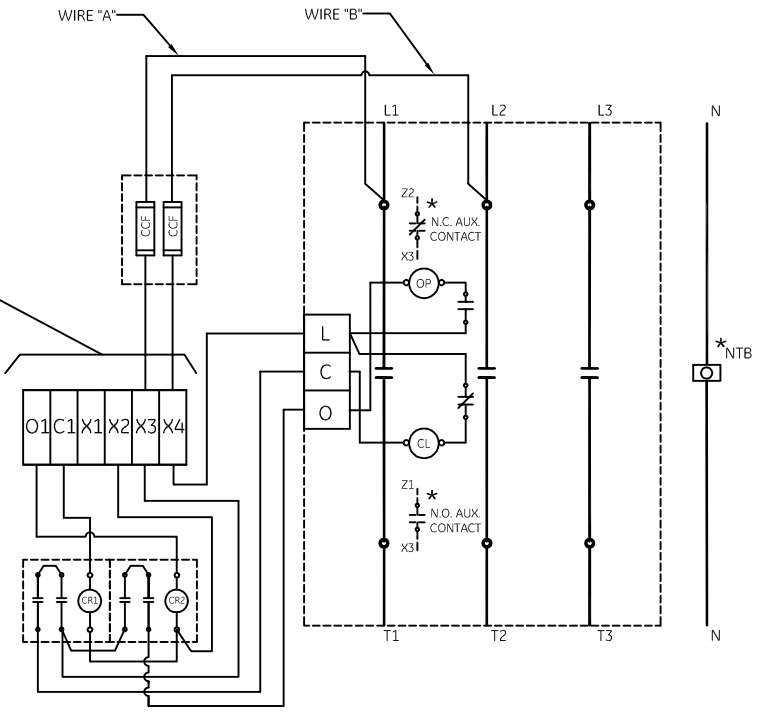
ON STANDARD		Z1 X3	N.O. AUX. CONTACT
ON PUSH-TO-TEST		Z1 X3	N.O. AUX. CONTACT
OFF STANDARD		Z2 X3	N.C. AUX. CONTACT
OFF PUSH-TO-TEST		Z2 X3	N.C. AUX. CONTACT

*** TABLE : OPTIONAL PILOT DEVICES FOR 3 WIRE CONTROL**

ON & OFF PUSHBUTTONS		O1 X1
OFF - ON or OFF - AUTO SELECTOR SWITCH		C1 for "ON" or EXT for "AUTO" O1 X1
OFF-ON SELECTOR SWITCH, WITH SPRING RETURN TO CENTER		C1 O1 X1
REMOTE CONTACT CUSTOMER SUPPLIED		C1 EXT



MAKE CONNECTIONS AS SHOWN IN DIAGRAMS AT LEFT



CR160MC MECHANICALLY HELD CONTACTOR WIRING OPTIONS USE FOR 3- WIRE CONTROL, WHEN COIL VOLTAGE IS DIFFERENT FROM CONTROL VOLTAGE.

NOTE:
ADDITIONAL OVER-CURRENT PROTECTION FOR CONTROL CIRCUIT MAY BE REQUIRED.
REFER TO THE NATIONAL ELECTRIC CODE OR LOCAL ELECTRIC CODE AS REQUIRED.

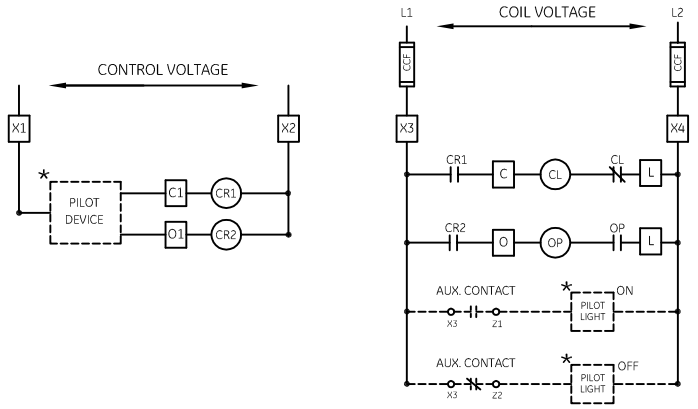
WHEN COIL AND LINE VOLTAGES ARE DIFFERENT REMOVE WIRE 'A' & "B".

ORDER KIT NUMBER FROM THE FOLLOWING TABLE

CONDUIT SIZE	KIT NUMBER
1/2-IN CONDUIT	55-213403G001
3/4-IN CONDUIT	55-213403G002
1-IN CONDUIT	55-213403G003
1 1/4-IN CONDUIT	55-213403G004
1 1/2-IN CONDUIT	55-213403G005
2-IN CONDUIT	55-213403G006
2 1/2-IN CONDUIT	55-213403G007
3-IN CONDUIT	55-213403G008

	RATING	WIRE RANGE AWG or kcmil	CONTACTOR TORQUE LB-IN	NEUTRAL TB TORQUE LB-IN
USE 75°C, COPPER CONDUCTORS ONLY FOR FIELD WIRING. TORQUE CONTACTOR AND NEUTRAL TERMINAL BOARD AS SHOWN AT RIGHT:	30A	#14 - #10	35	20
		#8	40	25
		#6	45	35
	60 - 100A	#14 - #10	35	50
		#8	40	50
		#6 - #4 #2 - #1/0	45 50	120 120
	150A	#6 - 250	275	275
	200-225A	#6 - 350	375	275

NOMENCLATURE
 OP - OPENING COIL
 CL - CLOSING COIL
 CCF - CONTROL CIRCUIT FUSE
 NTB - NEUTRAL TERMINAL BOARD
 CR - CONTROL RELAY
 * - IF USED



GE imagination at work

**WIRING DIAGRAM
160MC LIGHTING CONTACTOR**

DWG NO.	DATE	REV
55-686611	04/18/2010	1

AN #	THIRD ANGLE PROJECTION	SHEET #
10-9104		1 OF 1