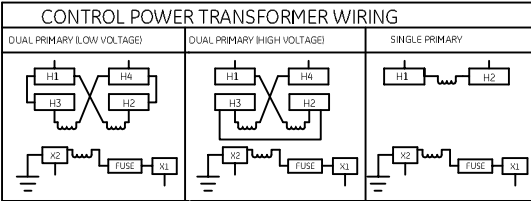


*** TABLE : OPTIONAL PILOT LIGHTS**

ON STANDARD	
ON PUSH-TO-TEST	
OFF STANDARD	
OFF PUSH-TO-TEST	

*** TABLE : OPTIONAL PILOT DEVICES FOR 2 WIRE CONTROL**

OFF - ON or OFF - AUTO SELECTOR SWITCH	
HAND-OFF-AUTO or ON-OFF-AUTO SELECTOR SWITCH	
REMOTE CONTACT CUSTOMER SUPPLIED	



CR160MC MECHANICALLY HELD CONTACTOR WIRING OPTIONS
USE FOR 2- WIRE CONTROL, WHEN COIL VOLTAGE IS DIFFERENT FROM CONTROL VOLTAGE, AND CONTROL VOLTAGE IS SUPPLIED BY CPT.

NOTE:
 ADDITIONAL OVER-CURRENT PROTECTION FOR CONTROL CIRCUIT MAY BE REQUIRED.
 REFER TO THE NATIONAL ELECTRIC CODE OR LOCAL ELECTRIC CODE AS REQUIRED.

WHEN COIL AND LINE VOLTAGES ARE DIFFERENT REMOVE WIRE "A" & "B".

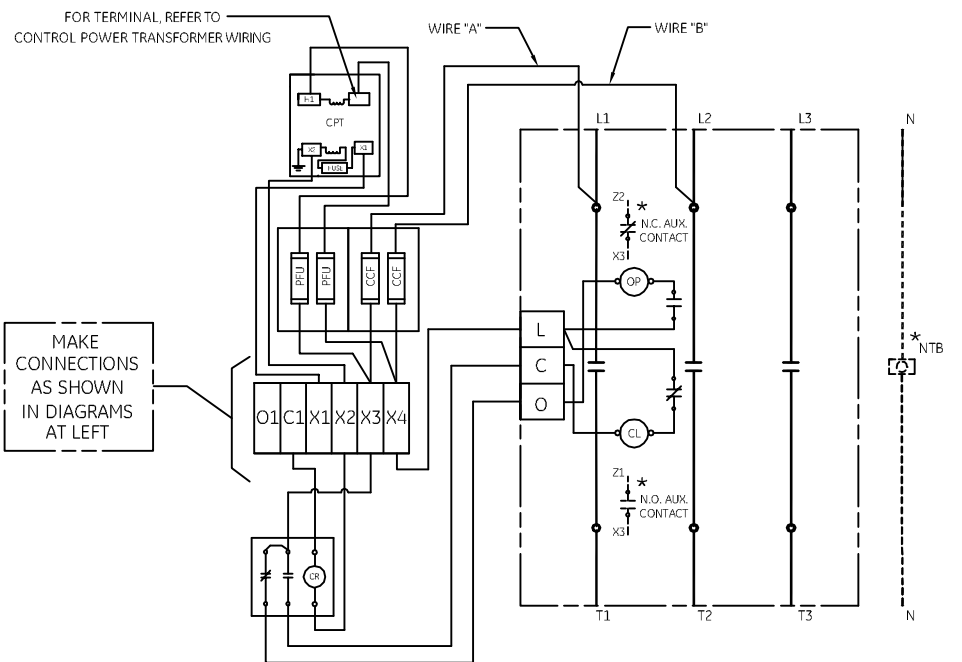
ORDER KIT NUMBER FROM THE FOLLOWING TABLE

CONDUIT SIZE	KIT NUMBER
1/2-IN CONDUIT	55-213403G001
3/4-IN CONDUIT	55-213403G002
1-IN CONDUIT	55-213403G003
1 1/4-IN CONDUIT	55-213403G004
1 1/2-IN CONDUIT	55-213403G005
2-IN CONDUIT	55-213403G006
2 1/2-IN CONDUIT	55-213403G007
3-IN CONDUIT	55-213403G008

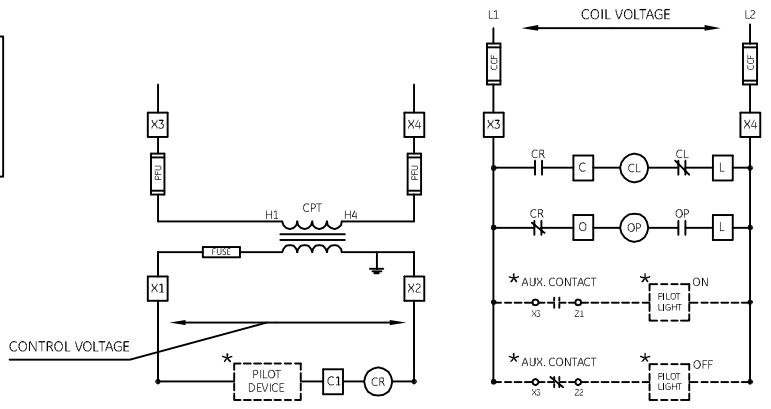
RATING	WIRE RANGE AWG or kcmil	CONTACTOR TORQUE LB-IN	NEUTRAL TB TORQUE LB-IN
30A	#14 - #10	35	20
	#8	40	25
	#6	45	35
60 - 100A	#14 - #10	35	50
	#8	40	50
	#6 - #4	45	120
	#2 - #1/0	50	120
150A	#6 - 250	275	275
200-225A	#6 - 350	375	275

USE 75°C. COPPER / ALUMINUM CONDUCTORS ONLY FOR FIELD WIRING. TORQUE CONTACTOR AND NEUTRAL TERMINAL BOARD AS SHOWN AT RIGHT:

NOMENCLATURE
 OP - OPENING COIL
 CL - CLOSING COIL
 CCF - CONTROL CIRCUIT FUSE
 CPT - CONTROL POWER TRANSFORMER
 PFI - PRIMARY FUSE
 NTB - NEUTRAL TERMINAL BOARD
 CR - CONTROL RELAY
 * - IF USED



MAKE CONNECTIONS AS SHOWN IN DIAGRAMS AT LEFT



GE imagination at work

WIRING DIAGRAM
160MC LIGHTING CONTACTOR

AN #	THIRD ANGLE PROJECTION	SHEET #	DWG NO.	DATE	REV
10-9123		1 OF 1	55-686612	04/18/2010	4