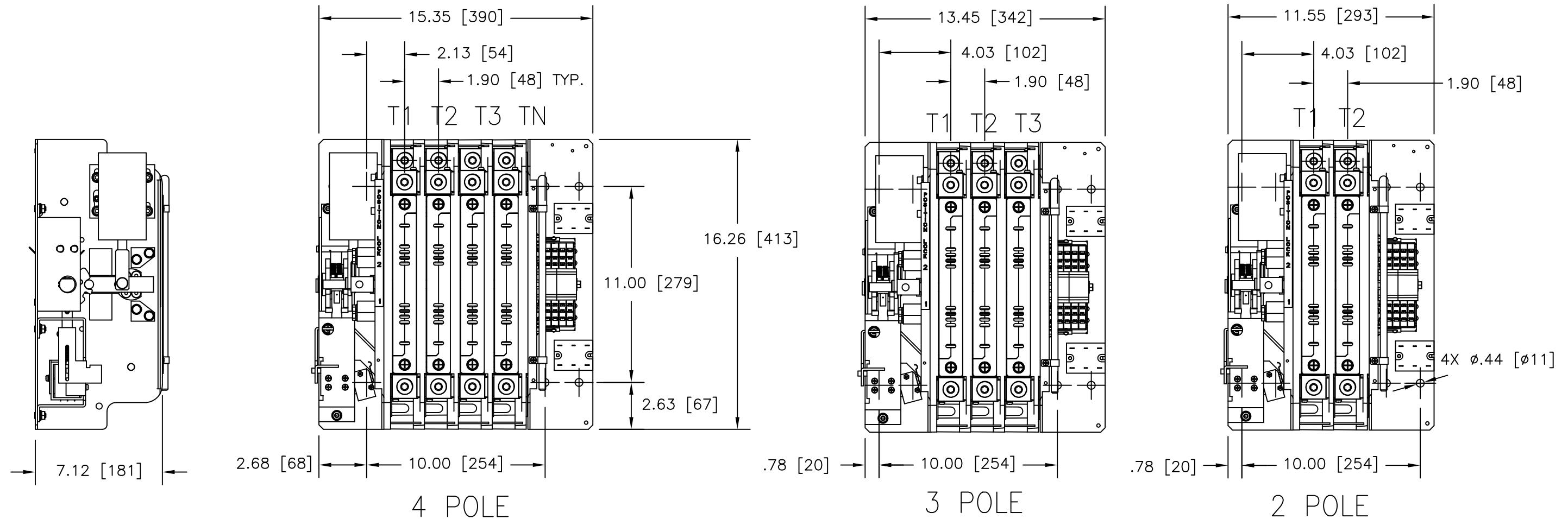


REVISIONS			
REV.	DESCRIPTION	DATE	APPROVED
E	S-8778	06/02/08	GG YP



NOTES:

- DO NOT RUN CABLES IN FRONT OF SWITCH. RUN ALL CABLES ON THE RIGHT SIDE.
- MAINTAIN ELECTRICAL CLEARANCE OF 1" (25mm) MIN. BETWEEN LIVE METAL PARTS AND GROUNDED METAL.
- ALL DIMENSIONS ARE FOR REFERENCE ONLY AND ARE SHOWN IN INCHES(MILLIMETERS).

		LUG SIZE
40 TO 80A	(QTY 1)	#8- 3/0 (8-85mm ²)
100 TO 400A	(QTY 1)	#4- 600 MCM (33-304mm ²)

SIGNATURES		DATE
MODEL	GG	08/24/04
DETAIL		
CHECKED		
ENGRG	MF	
MFG		
QUALITY		
ISSUED		
DRAWING FILE:	58c-1010-e-1.dwg	
MODEL / ASSEMBLY FILE:	ZTGD2 40 - 400 AMP PP	
# CTQs	⊖	CRITICAL TO QUALITY CHARACTERISTIC

GE Zenith Controls

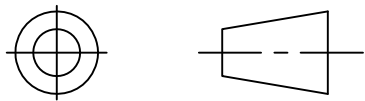
TITLE: TRANSFER SWITCH

FIRST MADE FOR: ZTGD2 40-400 AMP

SIZE	CAGE CODE	DWG NO
B		58C-1010

SCALE: N/A SHEET 1 OF 2

THIRD ANGLE PROJECTION



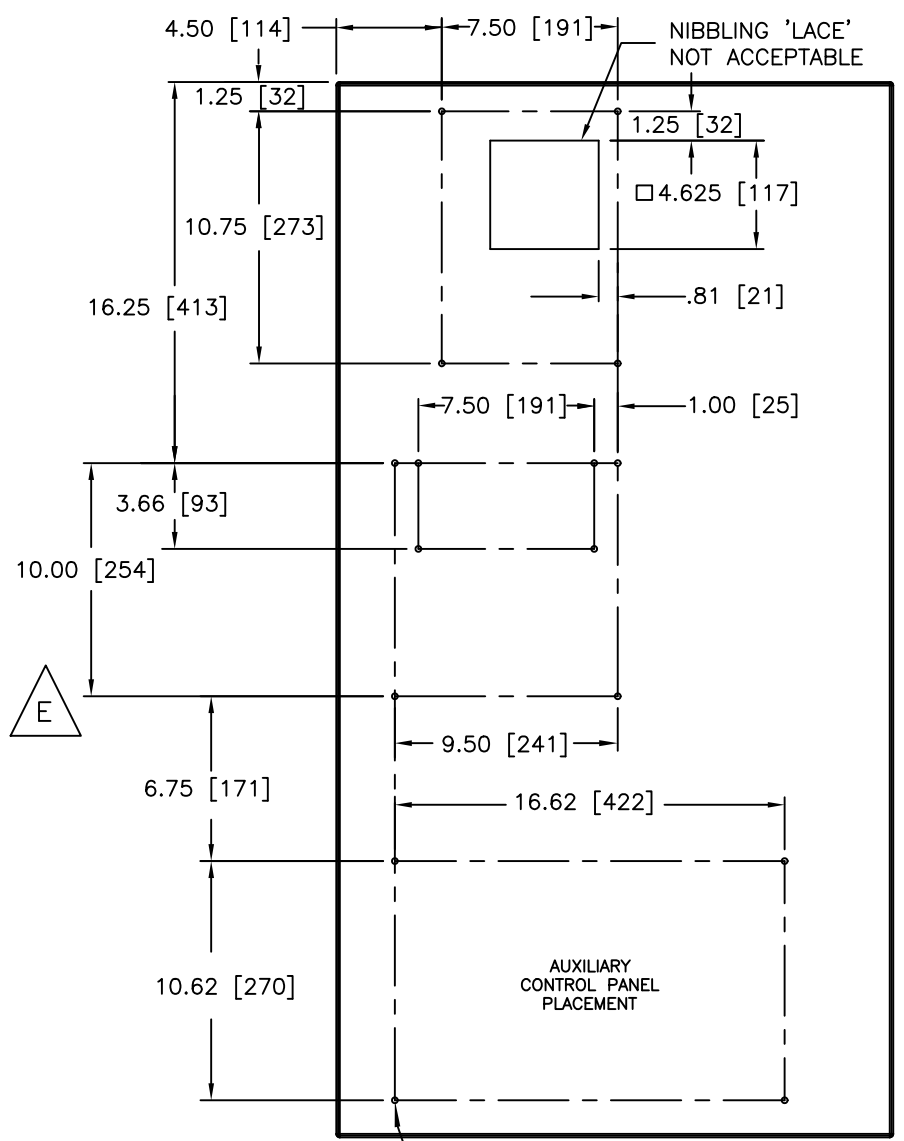
GE PROPRIETARY AND CONFIDENTIAL INFORMATION

This document is the property of General Electric Company ("GE") and contains proprietary information of GE. This document is loaned on the express condition that neither it nor the information contained therein shall be disclosed to others without the express written consent of GE Industrial Systems, and that the information shall be used by the recipient only as approved expressly by GE Industrial Systems. This document shall be returned to GE upon its request. This document may be subject to certain restrictions under U.S. export control laws and regulations.

AutoCad Generated

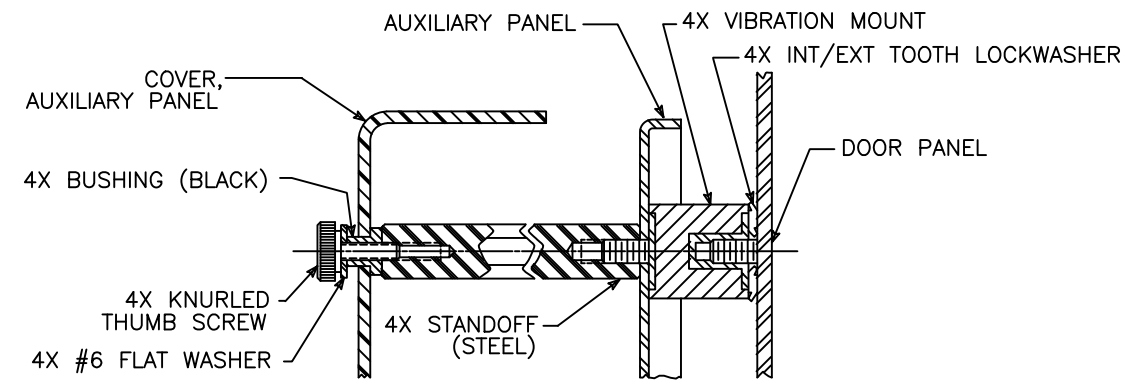
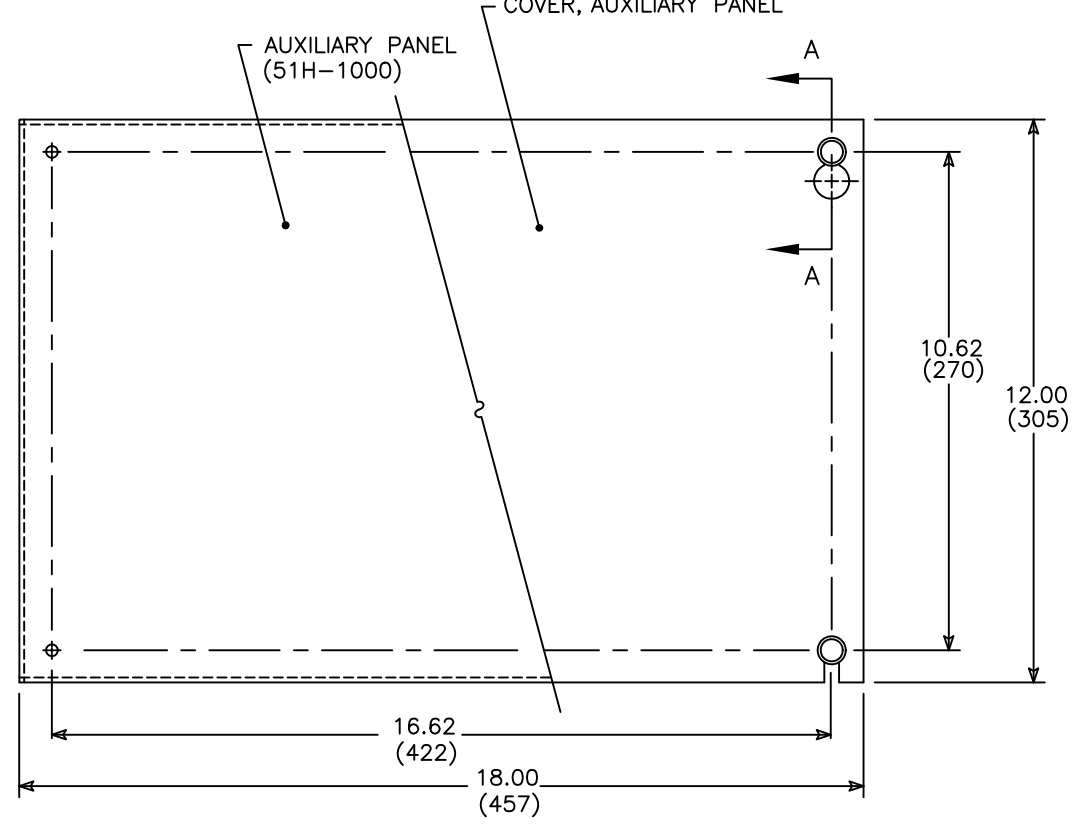
REVISIONS			
REV.	DESCRIPTION	DATE	APPROVED
E	S-8778	06/02/08	GG YP

DOOR DETAIL (INSIDE VIEW)

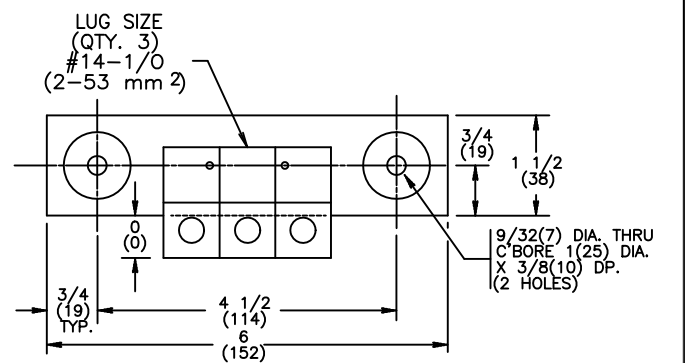


12X 1/4-20 X .50 WELDED STUDS
1/4-20 X .63 PEM STUDS
(TYPE FH ON INSIDE OF DOOR)

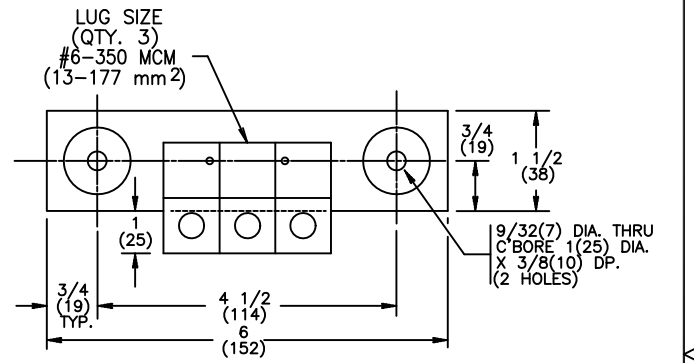
AUXILIARY CONTROL PANEL



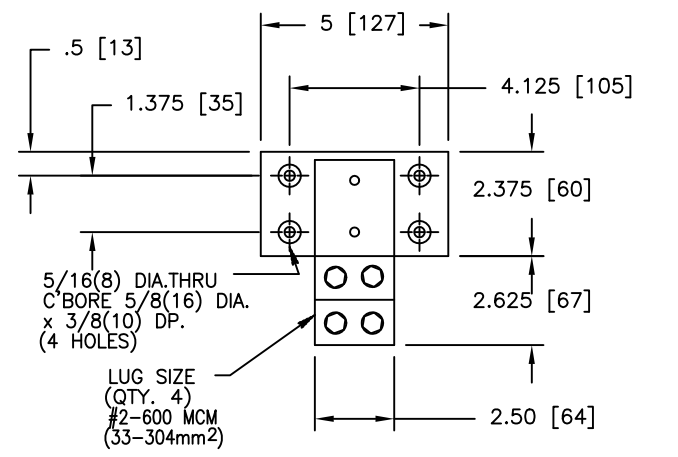
SECTION A-A



40-100A- NEUTRAL BAR ASSEMBLY



150-260A- NEUTRAL BAR ASSEMBLY



400A - NEUTRAL BAR ASSEMBLY

- NOTES:
- DO NOT RUN CABLES IN FRONT OF SWITCH. RUN ALL CABLES ON THE RIGHT SIDE.
 - MAINTAIN ELECTRICAL CLEARANCE OF 1" (25mm) MIN. BETWEEN LIVE METAL PARTS AND GROUNDED METAL.
 - ALL DIMENSIONS ARE FOR REFERENCE ONLY AND ARE SHOWN IN INCHES(MILLIMETERS).

SIGNATURES		DATE
MODEL	GG	10/12/99
DETAIL		
CHECKED		
ENGRG	MAS	10/12/99
MFG		
QUALITY		
ISSUED		
DRAWING FILE:	58c-1010-e-2.dwg	
MODEL / ASSEMBLY FILE:	ZTGD2 40-400 AMP PP	
# CTQs	CRITICAL TO QUALITY CHARACTERISTIC	

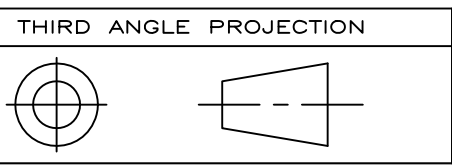
GE Zenith Controls

TITLE: TRANSFER SWITCH

FIRST MADE FOR: ZTGD2 40-400 AMP

SIZE	CAGE CODE	DWG NO
B		58C-1010

SCALE: N/A SHEET 2 OF 2



GE PROPRIETARY AND CONFIDENTIAL INFORMATION

This document is the property of General Electric Company ("GE") and contains proprietary information of GE. This document is loaned on the express condition that neither it nor the information contained therein shall be disclosed to others without the express written consent of GE Industrial Systems, and that the information shall be used by the recipient only as approved expressly by GE Industrial Systems. This document shall be returned to GE upon its request. This document may be subject to certain restrictions under U.S. export control laws and regulations.

AutoCad Generated