

CK Contactor with electronic module

Reliability and Simplification



Three and four poles contactors with 150 to 780A (AC3) - 200 to 1000A (AC1)

The focus of GE Industrial Solutions' engineers when **upgrading the electronic module for CK** was **Reliability and Simplification**. They collected all field experience of the successful CK contactor range to keep improving specifications and performance in the most demanding applications for contactors.



Cover a greater range with with less references, with only 4 coils the new electronic module covers a range from 24V -30% up to 500V +10% (AC 50/60Hz and DC). The 4 new coils cover the same range that was previously done with 20. This means a reduction in stock, easier management of inventory for distributors and better service which will ensure increased availability to the end customer. The electronic module has been designed to support customer request to perform successfully in the most difficult applications.

24-60V

(AC 50/60Hz and DC):

With special reinforce of the lower range (-30%) solving typical application issues when using big contactors with 24V supply.

48-130V

(AC 50/60Hz and DC):

Covers the most common voltages used in transportation segment with only one contactor.

100-250V

(AC 50/60Hz and DC):

This range replaces the most popular automation voltages; 110-120VAC, 125VDC (MV application) and 220-240VAC. Allowing OEM, Distributors and PB to optimize their stocks and service end customer.

250-500V

(AC 50/60Hz and DC):

Typical voltage for Power Switching application. This contactor helps OEM in UPS, Data Centers and Power Quality application to standardize their machines to be sold WorldWide.

electronic module:



Lloyd's Register

Bureau Veritas

General view

The new electronic module redesign from GE provides much better reliability versus any previous electronic modules or pure mechanical systems. This will help customer to reduce production shortages and maintenance downtimes to a minimum.

This new range will be the preferred solution for Original Equipment Manufacturers because they can standardize the Bill Of Materials of their machines to be used worldwide.

CK contactor series with electronic module is the perfect fit for OEM's working on Renewals (Wind, Solar, ATS, UPS), HVAC, Marine, Medium Voltage, Oil & Gas and Transportation.

CK is approved UL, CCC and CE.

- Increases **mechanical life** of the contactor improving reliability of end customer equipment.
- Suitable for weak networks application by including a **protecting voltage software to avoid chattering and contactor coil burning**
- Better performance in high vibration application; wind, marine, transportation
- Increased contact pressure reduces resistance per phase and thermal load
- **Noise reduction** even in hard environments with dust and corrosion
- Transient voltage suppressor built-in
- Wider temperature range operation: -40° to +70°C
- Application up to 3000m without derating
- Conversion kit for installed CK base with electronic module
- No dimensions change to facilitate exchange of products
- **Energy efficiency:** reduce on hold consumption
- Compliant with REACH and RoHS directives



Three pole contactors

Contactors



Max. oper. current	Power AC3						Electrical endurance	Control circuit voltage:				
	Non-inductive loads	Motors < 440V, 3 ~ 50/60Hz AC3	220V	380V	415V	440V		500V	24-60 V		48-130 V	
			230V	400V	440V				Cat. No.	Ref. No.	Cat. No.	Ref. No.
AC1 A	AC3 A	kW HP	kW HP	kW HP	kW HP	kW HP	Cat. AC3 Operations					
250	150	45 60	75 100	80 108	80 108	100 135	1.7x10 ⁶	CK75CE311W24-60	246150	CK75CE311W48-130	246151	
250	185	55 75	90 125	100 135	100 135	110 150	1.2x10 ⁶	CK08CE311W24-60	246154	CK08CE311W48-130	246155	
315	205	65 88	110 150	125 170	125 170	132 180	1.7x10 ⁶	CK85BE311W24-60	246158	CK85BE311W48-130	246159	
315	250	75 100	132 180	132 180	132 180	160 220	1.5x10 ⁶	CK09BE311W24-60	246162	CK09BE311W48-130	246163	
450	309	90 125	160 220	160 220	185 250	200 270	1.1x10 ⁶	CK95BE311W24-60	246166	CK95BE311W48-130	246167	
600	420	125 170	220 300	230 312	230 312	300 405	1x10 ⁶	CK10CE311W24-60	246170	CK10CE311W48-130	246171	
700	550	160 220	280 380	315 425	315 425	400 540	0.8x10 ⁶	CK11CE311W24-60	246174	CK11CE311W48-130	246175	
1000	700	220 300	375 510	400 540	425 580	480 650	0.7x10 ⁶	CK12BE311W24-60	246178	CK12BE311W48-130	246179	
1000	780	220 300	425 580	450 610	450 610	480 650	0.7x10 ⁶	CK13CE311W24-60	246050	CK13CE311W48-130	246051	

Four pole contactors



Max. oper. current	Power							Electrical endurance	Control circuit voltage:				
	Non-inductive loads	AC3		AC1					Cat. AC3 Operations	24-60 V		48-130 V	
		380V	400V	220V	380V	415V	440V			500V	Cat. No.	Ref. No.	Cat. No.
AC1 A	kW	A	kW	kW	kW	kW	kW						
200	55	105	76	131	143	151	173	1x10 ⁶	CK07BE411W24-60	246182	CK07BE411W48-130	246183	
325	100	185	123	214	233	247	281	0.6x10 ⁶	CK08BE411W24-60	246186	CK08BE411W48-130	246187	
400	132	250	152	263	287	304	346	0.6x10 ⁶	CK09BE411W24-60	246190	CK09BE411W48-130	246191	
500	160	309	191	329	359	380	415	0.6x10 ⁶	CK95BE411W24-60	246194	CK95BE411W48-130	246195	
600	220	408	228	395	431	456	519	0.5x10 ⁶	CK10CE411W24-60	246198	CK10CE411W48-130	246199	
700	280	530	266	460	503	533	606	0.4x10 ⁶	CK11CE411W24-60	246202	CK11CE411W48-130	246203	
1000	375	680	381	658	719	762	866	0.4x10 ⁶	CK12BE411W24-60	246206	CK12BE411W48-130	246207	

Auxiliary contact block



Number of contacts	Contacts				Cat. no.	Ref. no.	Pack
	3	1	2	5			
Side mounting	2	0	0	0	BCLL20	104706	10
	2	1	1	0	BCLL11	104707	10
	2	1	1	0	BCLL11-k ⁽¹⁾	248083	10
combinations of more than 2 blocks							
2	2	0	0	0	BRLL20	104704	10
2	1	1	0	0	BRLL11	104705	10
2	0	2	0	0	BRLL02	106622	10

(1) For high shock/vibrations environments

New



AC (50/60Hz)/DC				Pack
100-250 V		250-500 V		
Cat. No.	Ref. No.	Cat. No.	Ref. No.	
CK75CE311W100-250	246152	CK75CE311W250-500	246153	1
CK08CE311W100-250	246156	CK08CE311W250-500	246157	1
CK85BE311W100-250	246160	CK85BE311W250-500	246161	1
CK09BE311W100-250	246164	CK09BE311W250-500	246165	1
CK95BE311W100-250	246168	CK95BE311W250-500	246169	1
CK10CE311W100-250	246172	CK10CE311W250-500	246173	1
CK11CE311W100-250	246176	CK11CE311W250-500	246177	1
CK12BE311W100-250	246180	CK12BE311W250-500	246181	1
CK13CE311W100-250	246052	CK13CE311W250-500	246053	1

AC (50/60Hz)/DC				Pack
100-250 V		250-500 V		
Cat. No.	Ref. No.	Cat. No.	Ref. No.	
CK07BE411W100-250	246184	CK07BE411W250-500	246185	1
CK08BE411W100-250	246188	CK08BE411W250-500	246189	1
CK09BE411W100-250	246192	CK09BE411W250-500	246193	1
CK95BE411W100-250	246196	CK95BE411W250-500	246197	1
CK10CE411W100-250	246200	CK10CE411W250-500	246201	1
CK11CE411W100-250	246204	CK11CE411W250-500	246205	1
CK12BE411W100-250	246208	CK12BE411W250-500	246209	1

Control voltage specifications

Consumption (VA)	EK4M	EK5M	EK7M	EK8M
Inrush AC/DC	230	360	570	560
Hold DC	2,4	4,1	6,7	4,6
Hold AC	3,1	6,4	10,8	8,8

Voltage Limits	0.8xUc min	Uc min	Uc Max	1.1xUc Max
W24-60	16,8	21	60	66
W48-130	38,4	48	130	143
W100-250	80	100	250	275
W250-500	200	250	500	550

Spare part and conversion kit: electronic module and coil

3 poles	W24-60		W48-130	
	Cat. No.	Ref. No.	Cat. No.	Ref. No.
CK75CE311	KKIT4E24-60	246130	KKIT4E48-130	246131
CK08CE311	KKIT4E24-60	246130	KKIT4E48-130	246131
CK85BE311	KKIT5E24-60	246134	KKIT5E48-130	246135
CK09BE311	KKIT5E24-60	246134	KKIT5E48-130	246135
CK95BE311	KKIT5E24-60	246134	KKIT5E48-130	246135
CK10CE311	KKIT7E24-60	246138	KKIT7E48-130	246139
CK11CE311	KKIT7E24-60	246138	KKIT7E48-130	246139
CK12BE311	KKIT8E24-60	246142	KKIT8E48-130	246143
CK13CE311	KKIT8E24-60	246142	KKIT8E48-130	246143

4 poles	W24-60		W48-130	
	Cat. No.	Ref. No.	Cat. No.	Ref. No.
CK07BE411	KKIT5E24-60	246134	KKIT5E48-130	246135
CK08BE411	KKIT8E24-60	246142	KKIT8E48-130	246143
CK09BE411	KKIT8E24-60	246142	KKIT8E48-130	246143
CK95BE411	KKIT8E24-60	246142	KKIT8E48-130	246143
CK10CE411	KKIT7E24-60	246138	KKIT7E48-130	246139
CK11CE411	KKIT7E24-60	246138	KKIT7E48-130	246139
CK12BE411	KKIT8E24-60	246142	KKIT8E48-130	246143

3 poles	W100-250		W250-500	
	Cat. No.	Ref. No.	Cat. No.	Ref. No.
CK75CE311	KKIT4E100-250	246132	KKIT4E250-500	246133
CK08CE311	KKIT4E100-250	246132	KKIT4E250-500	246133
CK85BE311	KKIT5E100-250	246136	KKIT5E250-500	246137
CK09BE311	KKIT5E100-250	246136	KKIT5E250-500	246137
CK95BE311	KKIT5E100-250	246136	KKIT5E250-500	246137
CK10CE311	KKIT7E100-250	246140	KKIT7E250-500	246141
CK11CE311	KKIT7E100-250	246140	KKIT7E250-500	246141
CK12BE311	KKIT8E100-250	246144	KKIT8E250-500	246145
CK13CE311	KKIT8E100-250	246144	KKIT8E250-500	246145

4 poles	W100-250		W250-500	
	Cat. No.	Ref. No.	Cat. No.	Ref. No.
CK07BE411	KKIT5E100-250	246136	KKIT5E250-500	246137
CK08BE411	KKIT8E100-250	246144	KKIT8E250-500	246145
CK09BE411	KKIT8E100-250	246144	KKIT8E250-500	246145
CK95BE411	KKIT8E100-250	246144	KKIT8E250-500	246145
CK10CE411	KKIT7E100-250	246140	KKIT7E250-500	246141
CK11CE411	KKIT7E100-250	246140	KKIT7E250-500	246141
CK12BE411	KKIT8E100-250	246144	KKIT8E250-500	246145

Accessories



Mechanical interlock

Pole terminal protection

For use with	Mouting	Cat. no.	Ref. no.	Pack
CK07B ... CK12	Horizontal	BEKH	104763	1
CK75C ... CK08C	1 pole IPXXB	PTPCK75	103747	1 ⁽¹⁾
CK85B ... CK95B	1 pole IPXXB	PTPCK95	103748	3 ⁽²⁾
CK10C ... CK12B	1 pole IPXXB	PTPCK11	103749	1 ⁽¹⁾

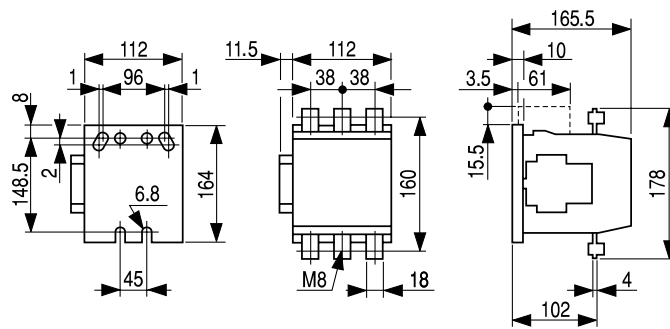
(1) One phase
(2) Three pole



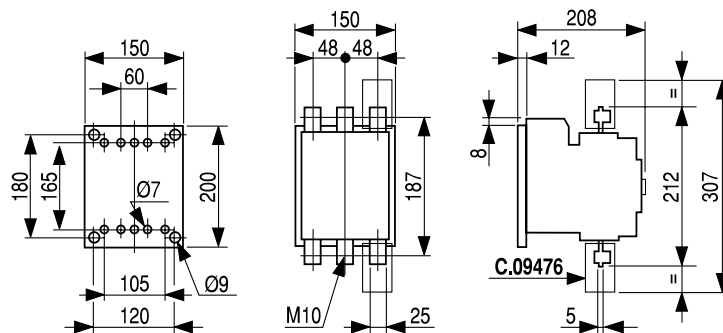
Dimensional drawings

Three pole contactors

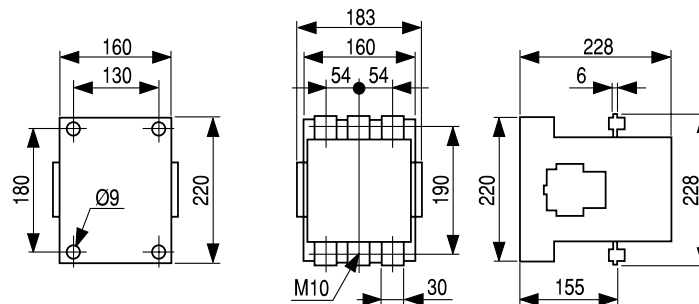
CK75C 3.500 kg
CK08C 3.500 kg



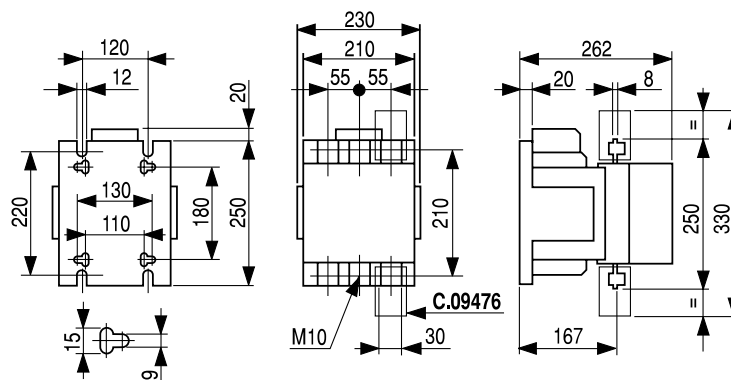
CK85B 6.100 kg
CK09B 6.200 kg
CK95B 6.300 kg



CK10C 11.00 kg
CK11C 11.00 kg



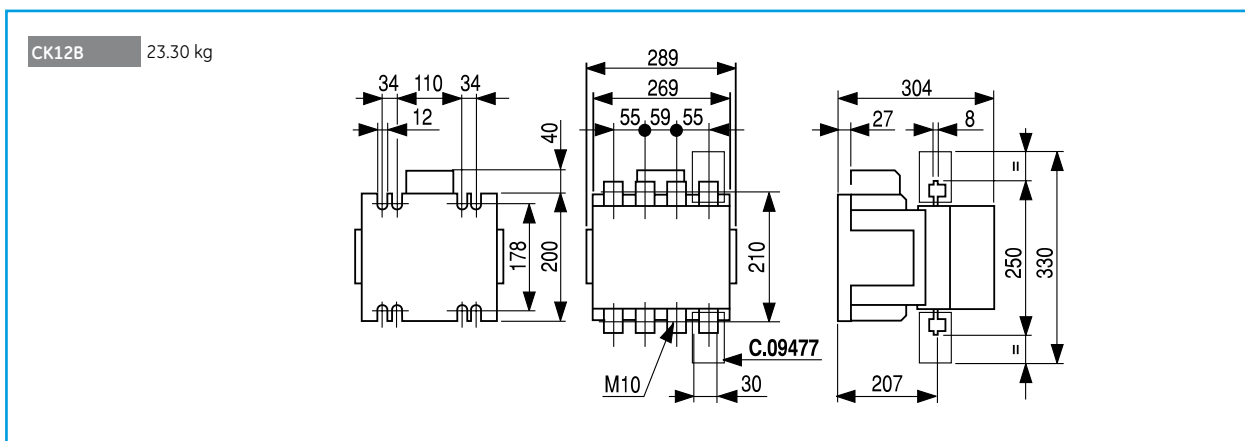
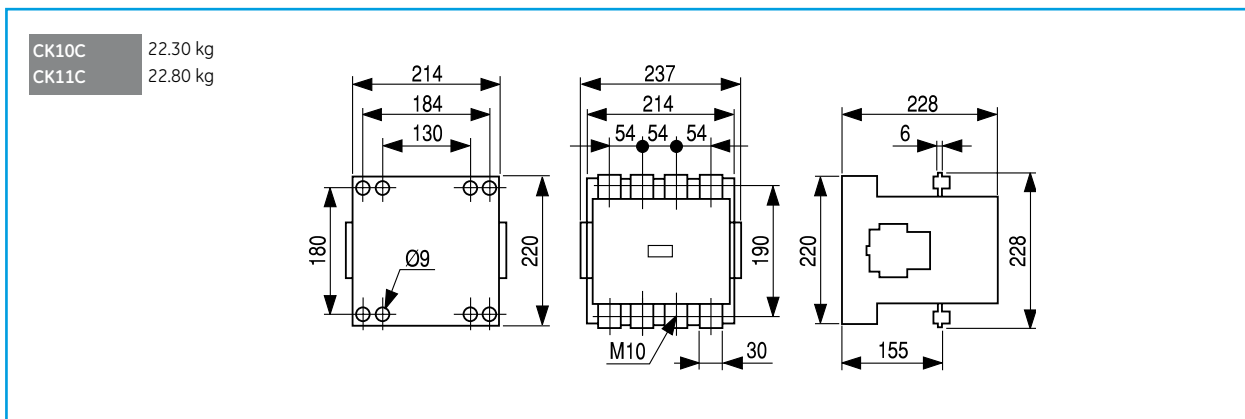
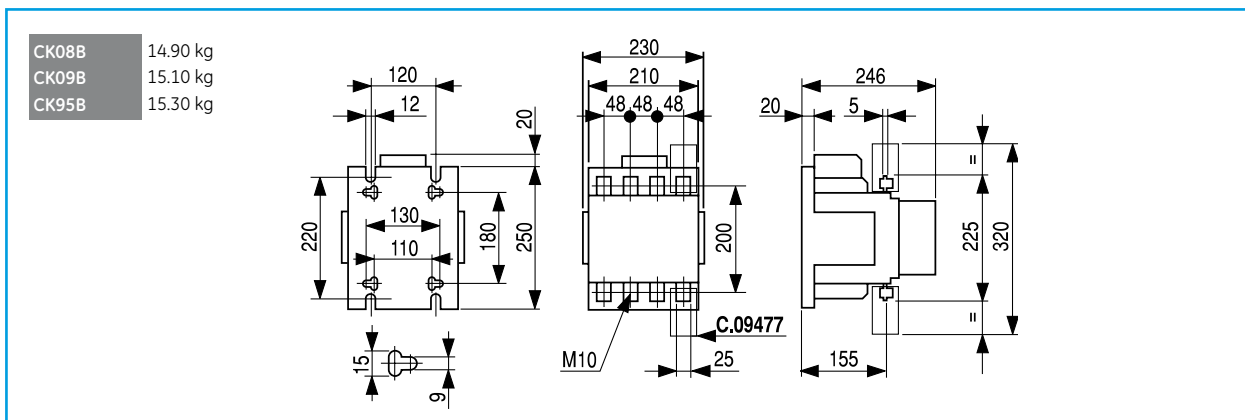
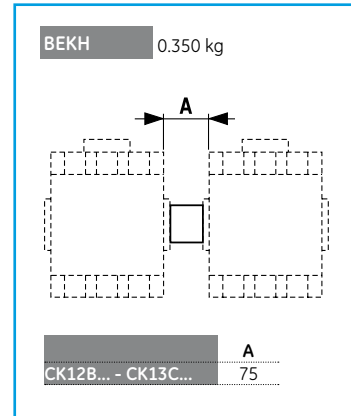
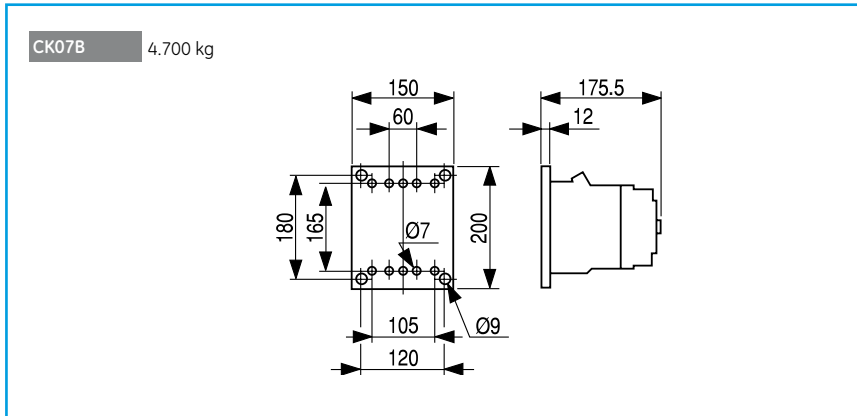
CK12B 18.00 kg
CK13C 18.00 kg



Dimensional drawings

Four pole contactors

Mechanical interlock



GE Industrial Solutions is a first class global supplier of low and medium voltage products including wiring devices, residential and industrial electrical distribution components, automation products, enclosures and switchboards. Demand for the company's products comes from wholesalers, installers, panelboard builders, contractors, OEMs and utilities worldwide.

Belgium

GE Industrial Belgium
Nieuwevaart 51
B-9000 Gent
Tel. +32 (0)9 265 21 11

Finland

GE Industrial Solutions
Kuortaneenkatu 2
FI-00510 Helsinki
Tel. +358 (0)10 394 3760

France

GE Industrial Solutions
Paris Nord 2
13, rue de la Perdrix
F-95958 Roissy CDG Cédex
Tel. +33 (0)800 912 816

Germany

GE Industrial Solutions
Robert-Bosch Str. 3
D-50354 Hürth-Efferen
Tel. +49 (0) 2233/ 9719-0

Hungary

GE Hungary Kft.
Váci ut 81-83.
H-1139 Budapest
Tel. +36 1 447 6050

Italy

GE Industrial Solutions
Centro Direzionale Colleoni
Via Paracelso 16
Palazzo Andromeda B1
I-20864 Agrate Brianza (MB)
Tel. +39 039 637 371

Netherlands

GE Industrial Solutions
Parallelweg 10
NL-7482 CA Haaksbergen
Tel. +31 (0)53 573 03 03

Poland

GE Power Controls
Ul. Towarowa 25A, Ip
00-869 Warszawa
Tel. +48 22 520 53 53

Ul. Leszczyńska 6

43-300 Bielsko-Biała
Tel. +48 33 828 62 33

Russia

GE Industrial Solutions
27/8, Electrozavodskaya street
Moscow, 107023
Tel. +7 495 937 11 11

South Africa

GE Industrial Solutions
Unit 4, 130 Gazelle Avenue
Corporate Park Midrand 1685
P.O. Box 76672 Wendywood 2144
Tel. +27 11 238 3000

Spain

GE POWER CONTROLS IBÉRICA, S.L.
Calle Miño 122 Naves E-F
Polígono Industrial Santa Margarita
08223 Terrassa (Barcelona)
Tel. +34 900 993 625

United Arab Emirates

GE Industrial Solutions
Injaz Building, 3rd Floor
Dubai Internet City
PO Box 11549, Dubai
Tel. +971 4 4546912

United Kingdom

GE Industrial Solutions
2 The Arena, Downshire Way
Bracknell, Berkshire
RG12 1PU
Tel. +44 (0)800 587 1239

