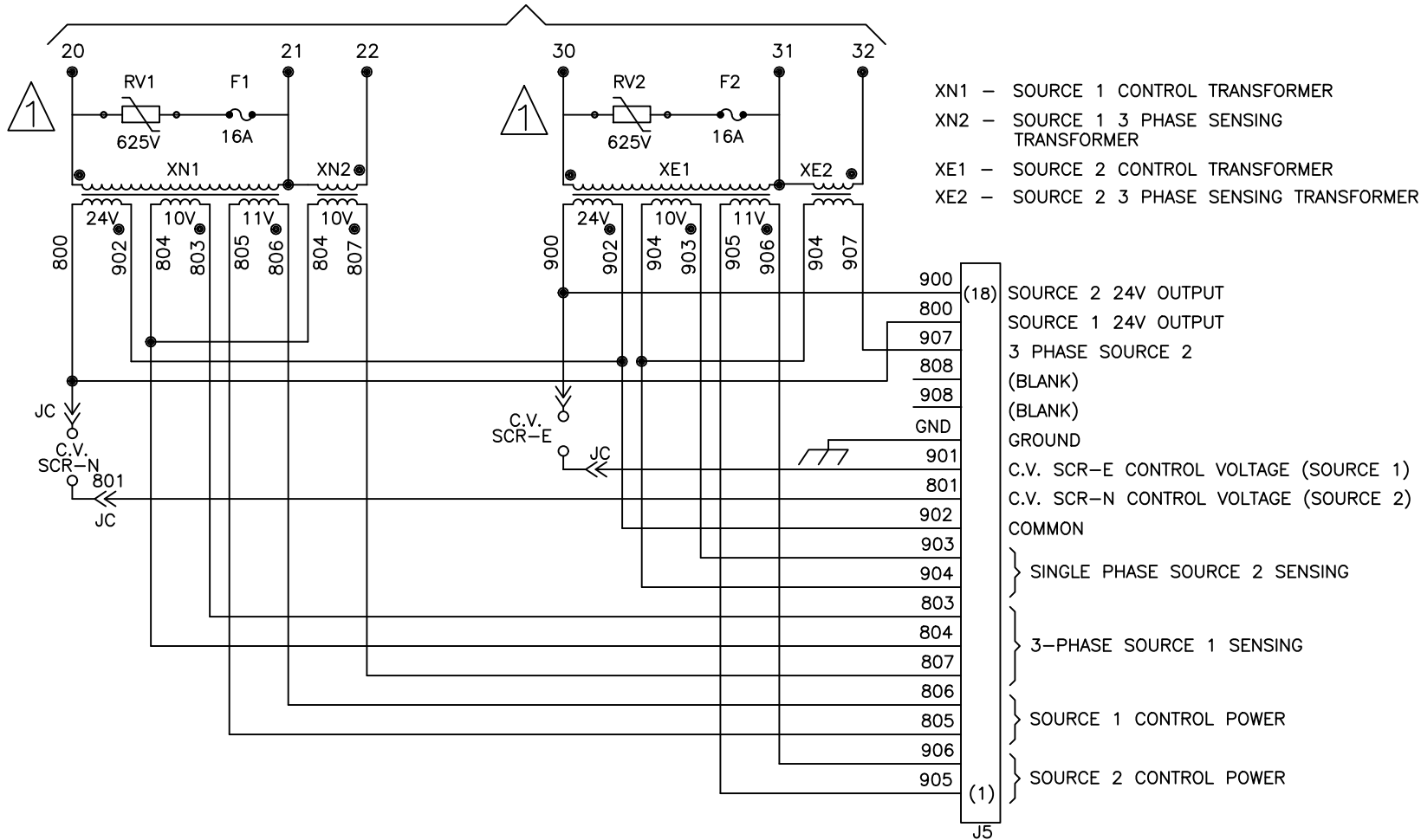


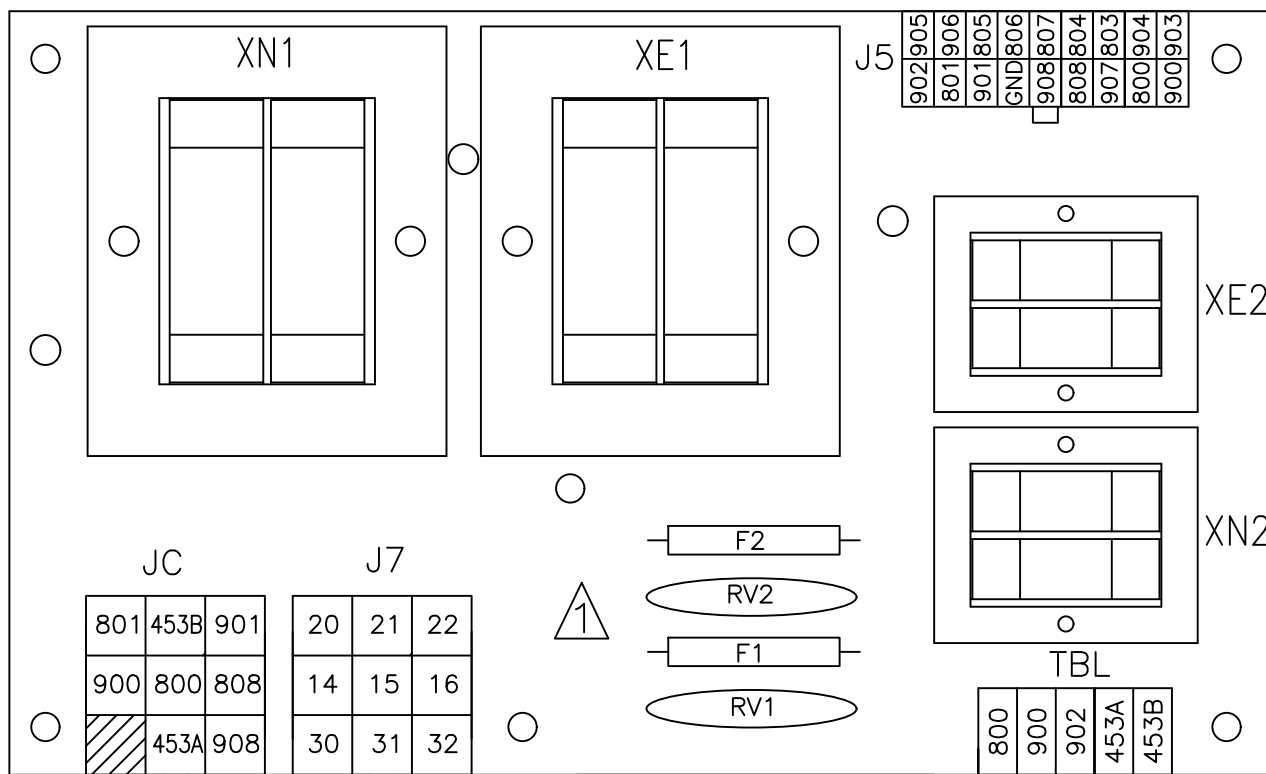
<p>ABB PROPRIETARY AND CONFIDENTIAL INFORMATION</p> <p>The information contained in this document has to be kept strictly confidential. Any unauthorized use, reproduction, distribution or disclosure to third parties is strictly forbidden.</p> <p>ABB reserves all rights regarding intellectual Property Rights. Copyright 2018 ABB. All rights reserved</p>	<p>FOR ADDITIONAL INFO REFER TO APPLIED PRACTICES UNLESS OTHERWISE SPECIFIED DIMENSIONS ARE IN INCHES</p>	<p>SIGNATURES</p> <p>MODEL GG</p>	<p>DATE</p> <p>04/07/03</p>	<h2 style="margin: 0;">ATS POWER CIRCUIT & LAYOUT</h2> <p style="margin: 0;">FIRST MADE FOR: ZTS(2/3)(40-200AMP)</p> <p style="margin: 0;">SIZE B CAGE CODE DWG NO</p> <h1 style="margin: 0;">71A-1000</h1>	
	<p>TOLERANCES ON:</p> <p>2 PL. DECIMALS ± .020</p> <p>3 PL. DECIMALS ± .005</p> <p>ANGLES ± 1°</p> <p>FRACTIONS ± 1/64</p>	<p>CHECKED</p> <p>ENGRG</p> <p>MFG</p> <p>QUALITY</p> <p>ISSUED</p>			
	<p>FINISH</p> <p style="text-align: center;">✓</p>	<p>DRAWING FILE: 71a-1000.dwg</p> <p>MODEL / ASSEMBLY FILE: ZTS(2/3)(40-200AMP)</p>			
	<p>AutoCad Generated</p>	<p># CTQs</p> <p>⊖ CRITICAL TO QUALITY CHARACTERISTIC</p>	<p>SCALE: -</p>		<p>SHEET 1 OF 2</p>

CONTROLS POWER SUPPLY (CPS) SCHEMATIC

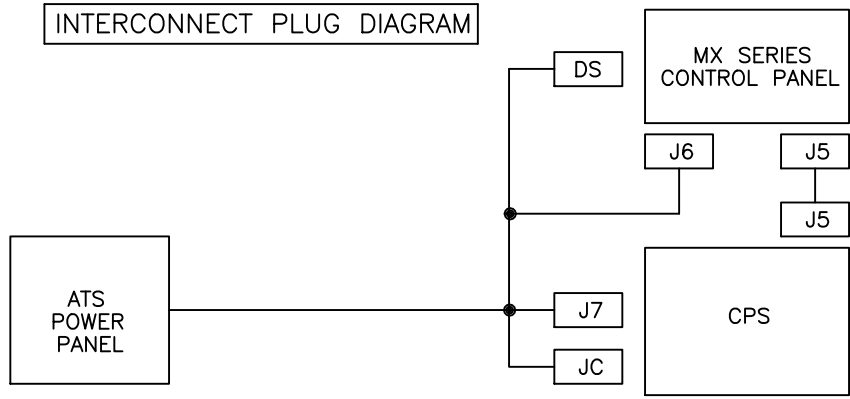
TO POWER CIRCUIT SCHEMATIC - SHEET 1



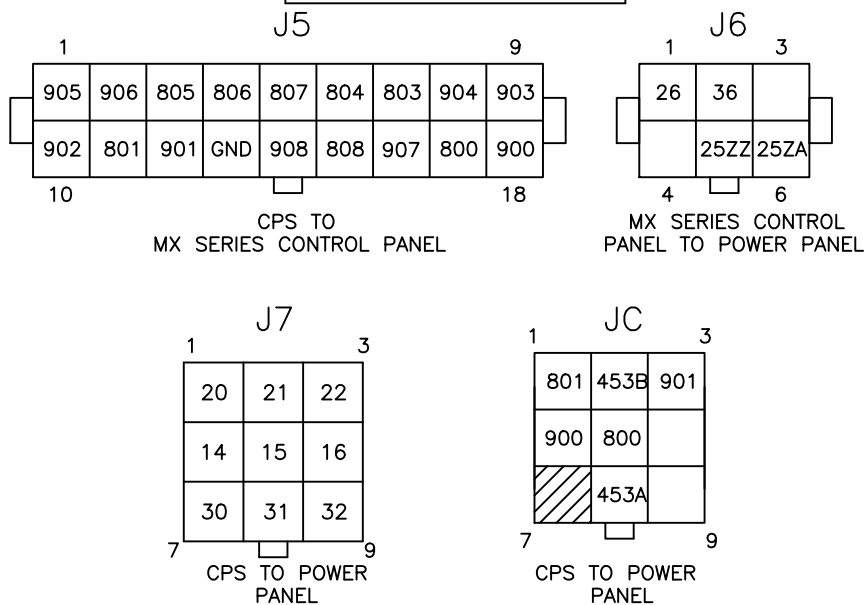
CONTROLS POWER SUPPLY (CPS)



INTERCONNECT PLUG DIAGRAM



INTERCONNECT PLUGS

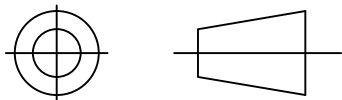


LEGEND

● - WIRE CONNECTION

ABB PROPRIETARY AND CONFIDENTIAL INFORMATION
The information contained in this document has to be kept strictly confidential.
Any unauthorized use, reproduction, distribution or disclosure to third parties is strictly forbidden.
ABB reserves all rights regarding intellectual Property Rights.
Copyright 2018 ABB. All rights reserved

THIRD ANGLE PROJECTION



FOR ADDITIONAL INFO REFER TO APPLIED PRACTICES UNLESS OTHERWISE SPECIFIED DIMENSIONS ARE IN INCHES
TOLERANCES ON:
2 PL. DECIMALS ± .020
3 PL. DECIMALS ± .005
ANGLES ± 1°
FRACTIONS ± 1/64
FINISH ✓
AutoCad Generated

SIGNATURES
MODEL GG
DATE 04/07/03
DETAIL
CHECKED
ENGRG
MFG
QUALITY
ISSUED
DRAWING FILE: 71a-1000.dwg
MODEL / ASSEMBLY FILE: ZTS(2/3/4)(40-200AMP)
CTQs

ABB
TITLE
CONTROLS POWER SUPPLY(CPS)
& INTERCONNECT PLUGS
FIRST MADE FOR: ZTS(2/3/4)(40-200AMP)
SIZE B CAGE CODE DWG NO 71A-1000
SCALE: - SHEET 2 OF 2