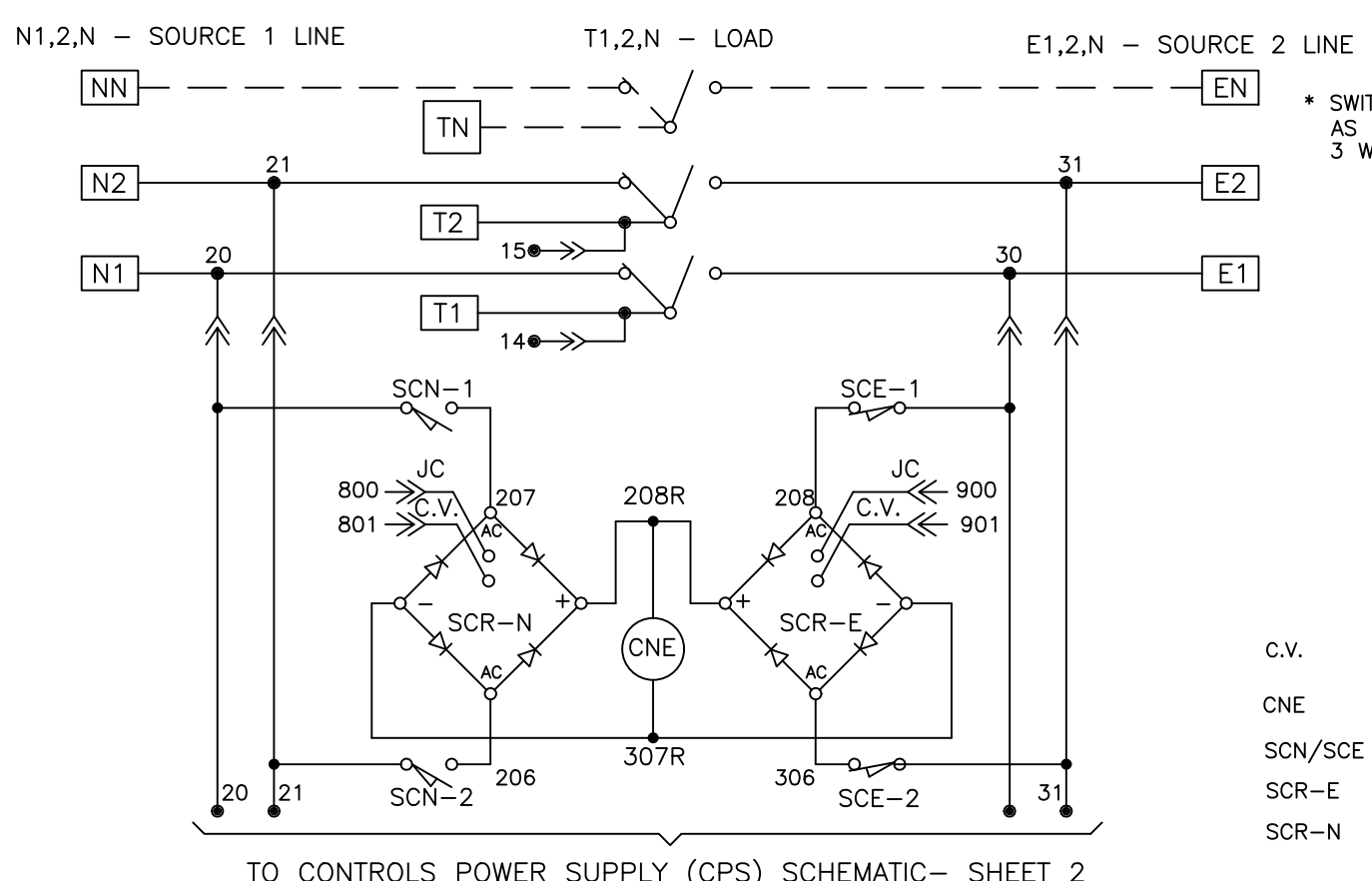


REVISIONS			
REV.	DESCRIPTION	DATE	APPROVED
4	C077097	09/24/19	AR MAS

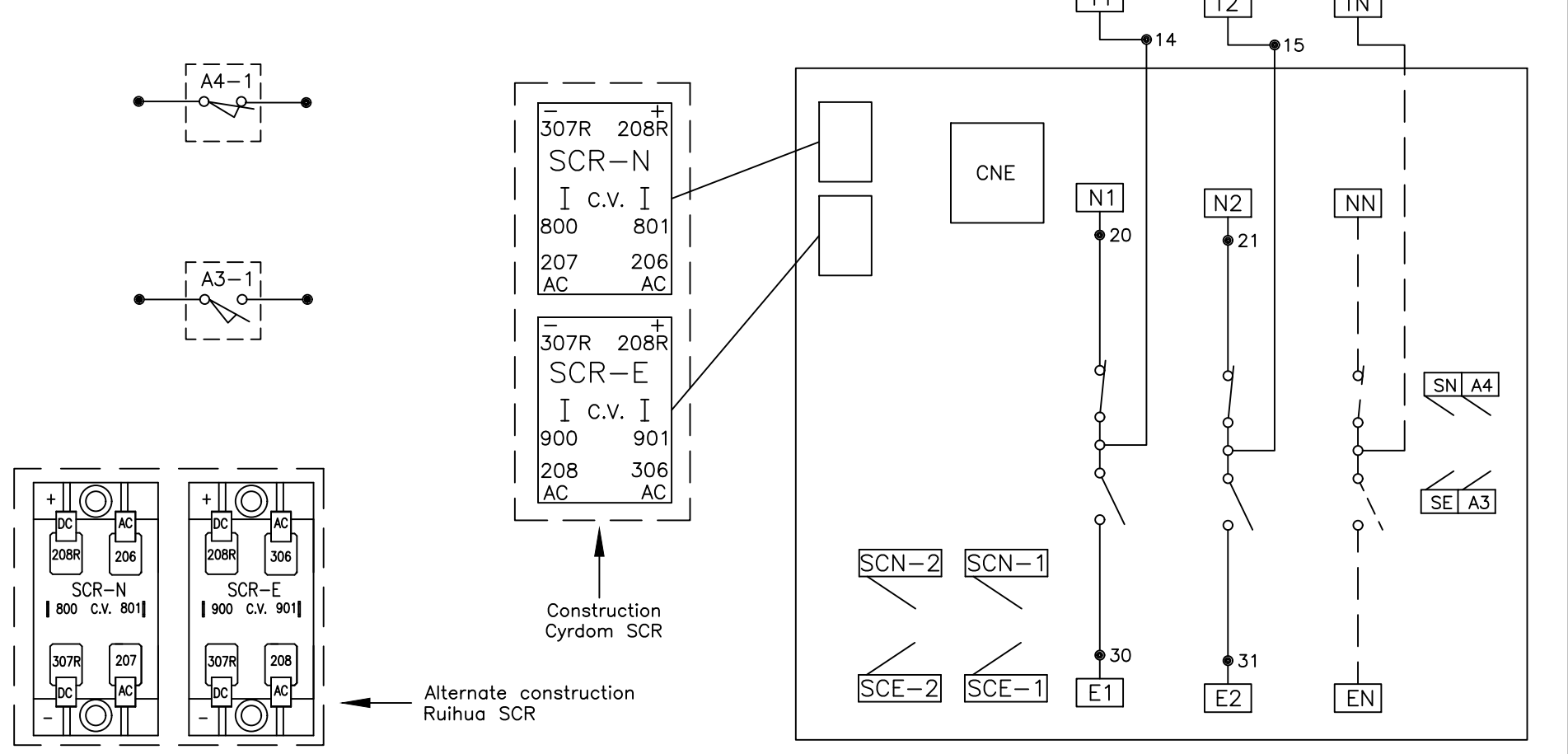
ATS POWER CIRCUIT SCHEMATIC



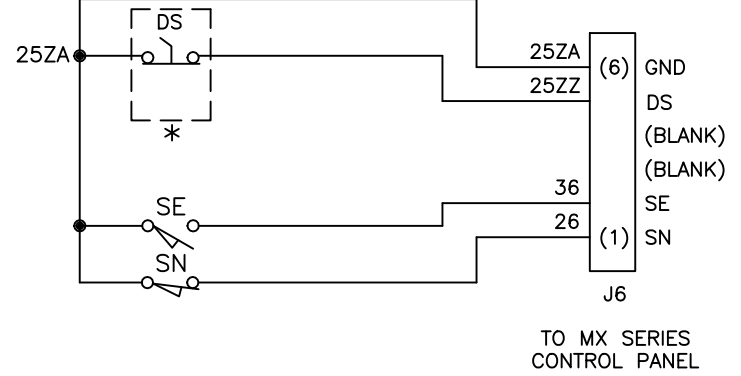
TO CONTROLS POWER SUPPLY (CPS) SCHEMATIC- SHEET 2

ATS POWER PANEL LAYOUT

AUXILIARY CONTACTS



LIMIT SWITCH SCHEMATIC



- SE - SOURCE 2 POSITION LIMIT SWITCH
- SN - SOURCE 1 POSITION LIMIT SWITCH
- DS - DISCONNECT SWITCH ON MX250

LEGEND	REFERENCE	NOTES
● WIRE CONNECTION	LEGEND, OPERATION, AND ACCESSORIES: 73A-0900 FOR PRODUCTION ONLY: CPS AND PLUGS - SEE SHT 2 MX250 CONTROLLER - 71A-0500	ATS SHOWN IN SOURCE 1 POSITION WITH NO POWER AVAILABLE.
○ WIRE ON TERMINAL BLOCK		
⇒ WIRE IN INTERCONNECT PLUG		
* OPTIONAL		

ABB PROPRIETARY AND CONFIDENTIAL INFORMATION

The information contained in the document has to be kept strictly confidential. Any unauthorized use, reproduction, distribution or disclosure to third parties is strictly forbidden.

ABB reserves all rights regarding intellectual Property Rights. Copyright 2018 ABB. All rights reserved.

THIRD ANGLE PROJECTION

FOR ADDITIONAL INFO REFER TO	SIGNATURES	DATE
APPLIED PRACTICES	MODEL GG	04/07/03
UNLESS OTHERWISE SPECIFIED DIMENSIONS ARE IN INCHES	DETAIL	
TOLERANCES ON:	CHECKED	
2 PL. DECIMALS ± .020	ENGRG	
3 PL. DECIMALS ± .005	MFG	
ANGLES ± 1°	QUALITY	
FRACTIONS ± 1/64	ISSUED	
FINISH ✓	DRAWING FILE: 71a-1001.dwg	
AutoCad Generated	MODEL / ASSEMBLY FILE: ZTS(2,3,4)(40-200AMP) 2 POLE	
# CTQs	CRITICAL TO QUALITY CHARACTERISTIC	

ABB

TITLE
 ATS POWER CIRCUIT LAYOUT

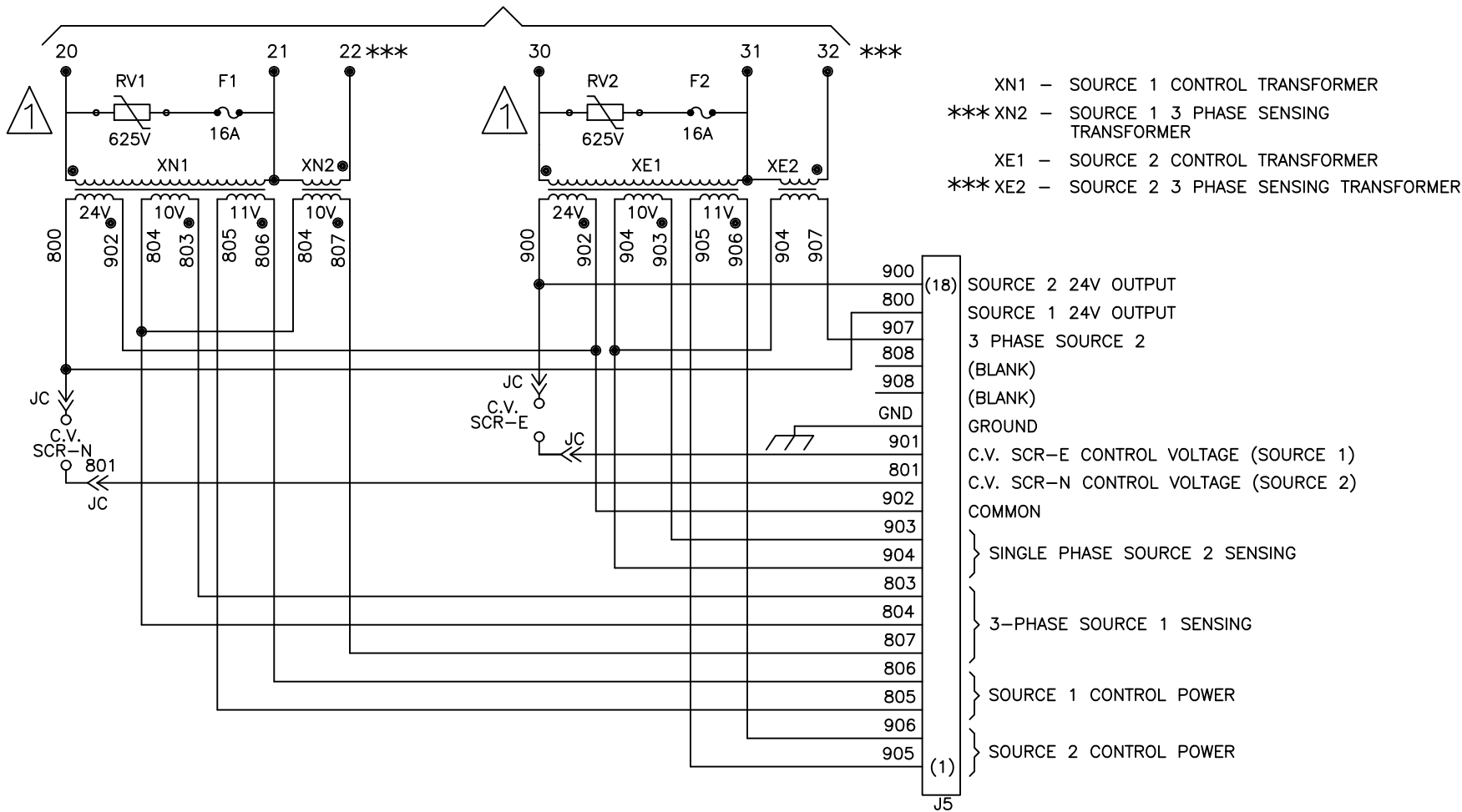
FIRST MADE FOR: ZTS(2,3,4)(40-200AMP) 2 POLE

SIZE B	CAGE CODE	DWG NO 71A-1001
--------	-----------	-----------------

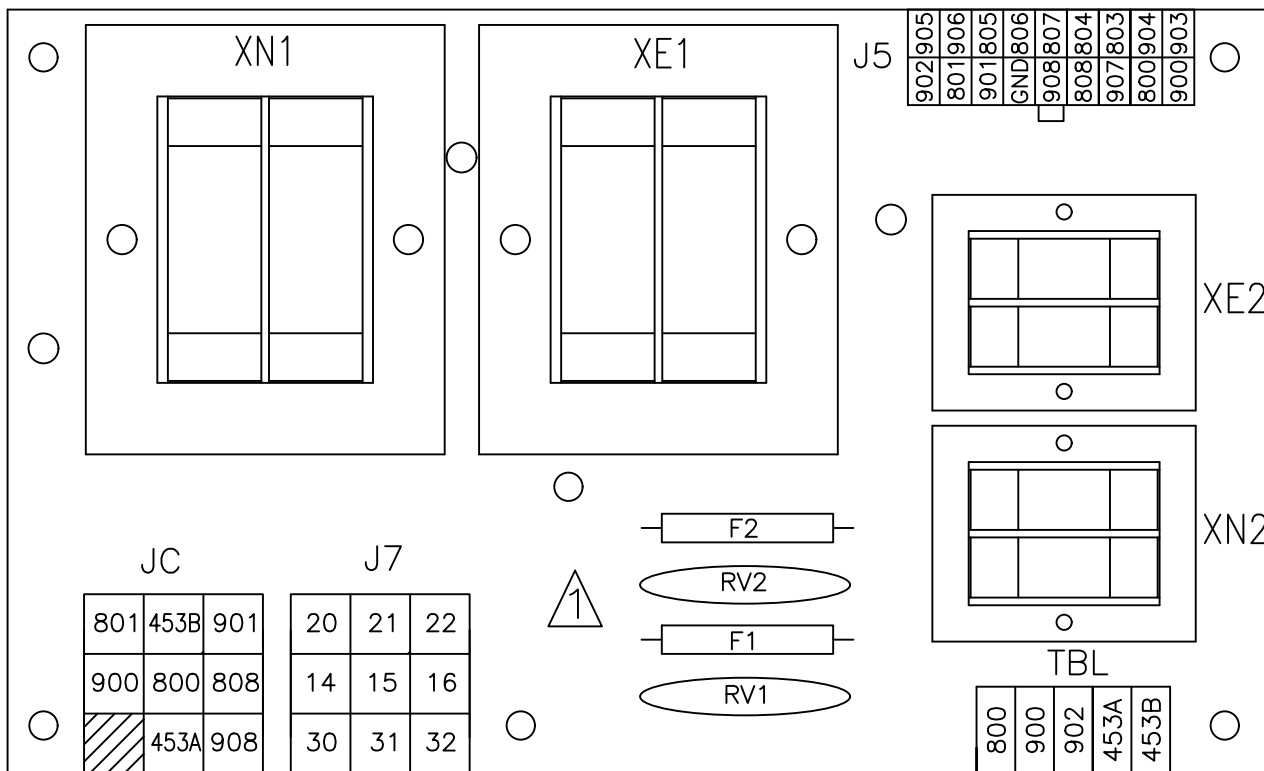
SCALE: NA SHEET 1 OF 2

CONTROLS POWER SUPPLY (CPS) SCHEMATIC

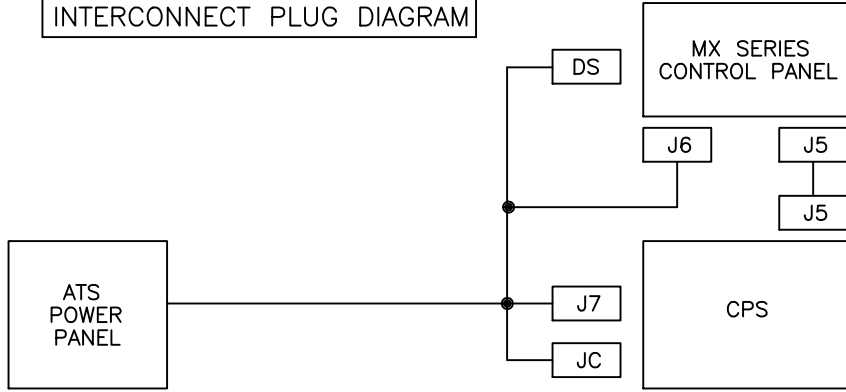
TO POWER CIRCUIT SCHEMATIC - SHEET 1



CONTROLS POWER SUPPLY (CPS)



INTERCONNECT PLUG DIAGRAM



LEGEND

● WIRE CONNECTION
 *** WIRE #22 & 32 REMAIN WIRED IN CPS
 WIRE #22 AND #32 ARE NOT CONNECTED TO ATs POWER PANEL.

INTERCONNECT PLUGS

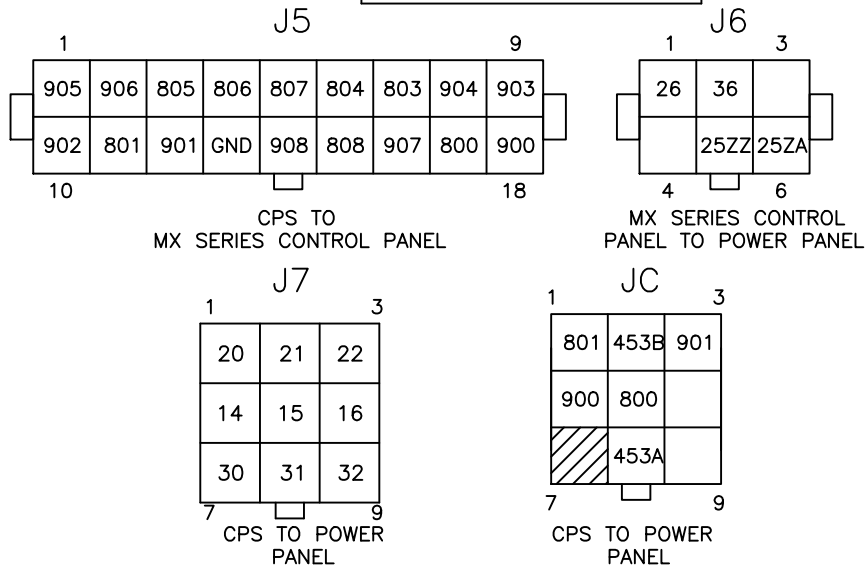
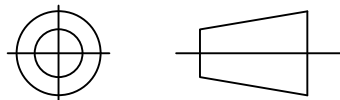


ABB PROPRIETARY AND CONFIDENTIAL INFORMATION
 The information contained in the document has to be kept strictly confidential.
 Any unauthorized use, reproduction, distribution or disclosure to third parties is strictly forbidden.
 ABB reserves all rights regarding intellectual Property Rights.
 Copyright 2018 ABB. All rights reserved

THIRD ANGLE PROJECTION



FOR ADDITIONAL INFO REFER TO	SIGNATURES	DATE
APPLIED PRACTICES	MODEL SB	04/07/03
UNLESS OTHERWISE SPECIFIED DIMENSIONS ARE IN INCHES	DETAIL	
TOLERANCES ON:	CHECKED	
2 PL. DECIMALS ± .020	ENGRG	
3 PL. DECIMALS ± .005	MFG	
ANGLES ± 1°	QUALITY	
FRACTIONS ± 1/64	ISSUED	
FINISH	DRAWING FILE: 71a-1001.dwg	
	MODEL / ASSEMBLY FILE: ZTS(2/3/4)(40-200AMP) 2 POLE	
AutoCad Generated	# CTQs	CRITICAL TO QUALITY CHARACTERISTIC



TITLE
**CONTROLS POWER SUPPLY(CPS)
 & INTERCONNECT PLUGS**

FIRST MADE FOR: ZTS(2/3/4)(40-200AMP) 2 POLE

SIZE B CAGE CODE DWG NO

71A-1001

SCALE: -

SHEET 2 OF 2