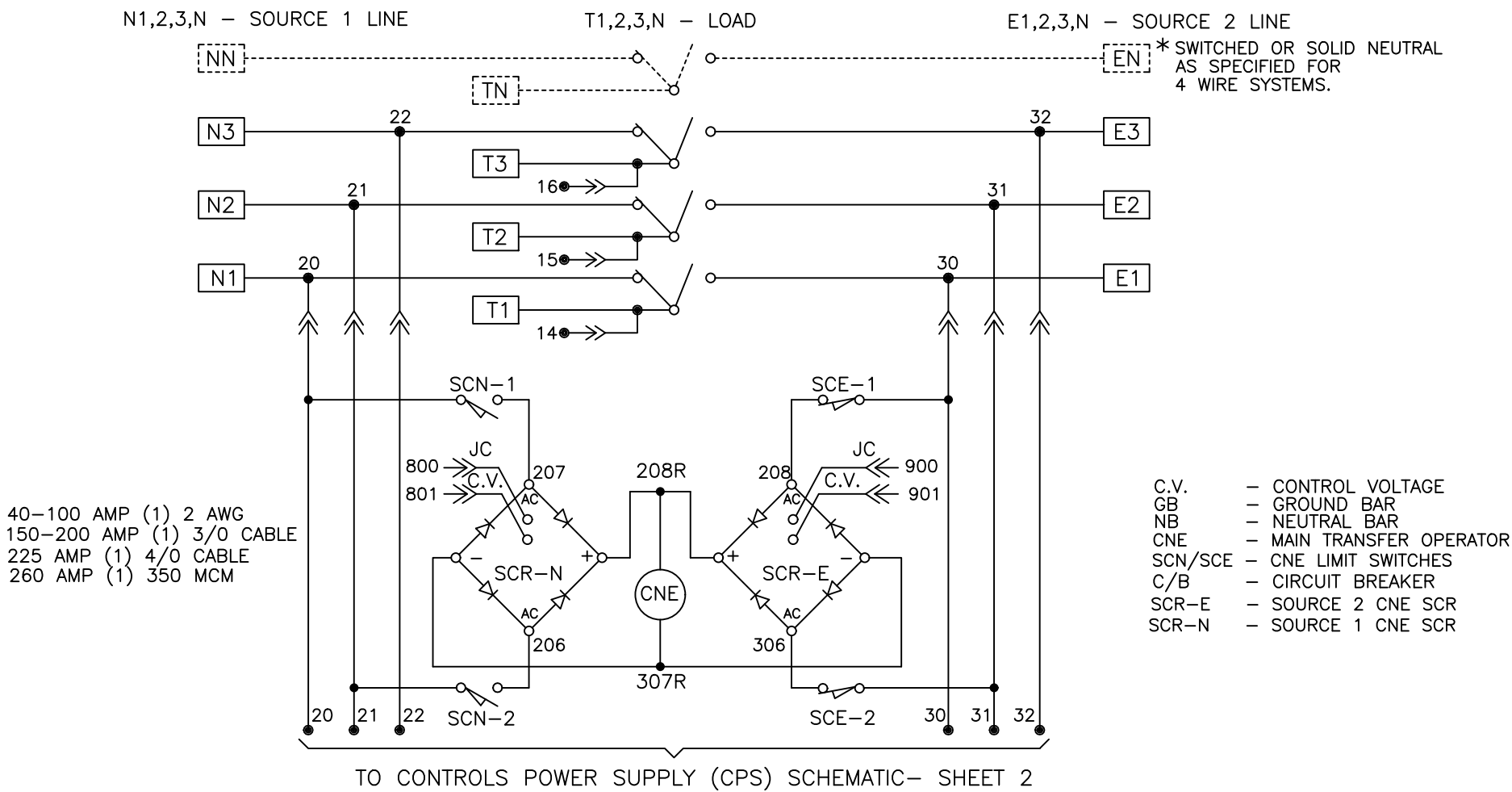
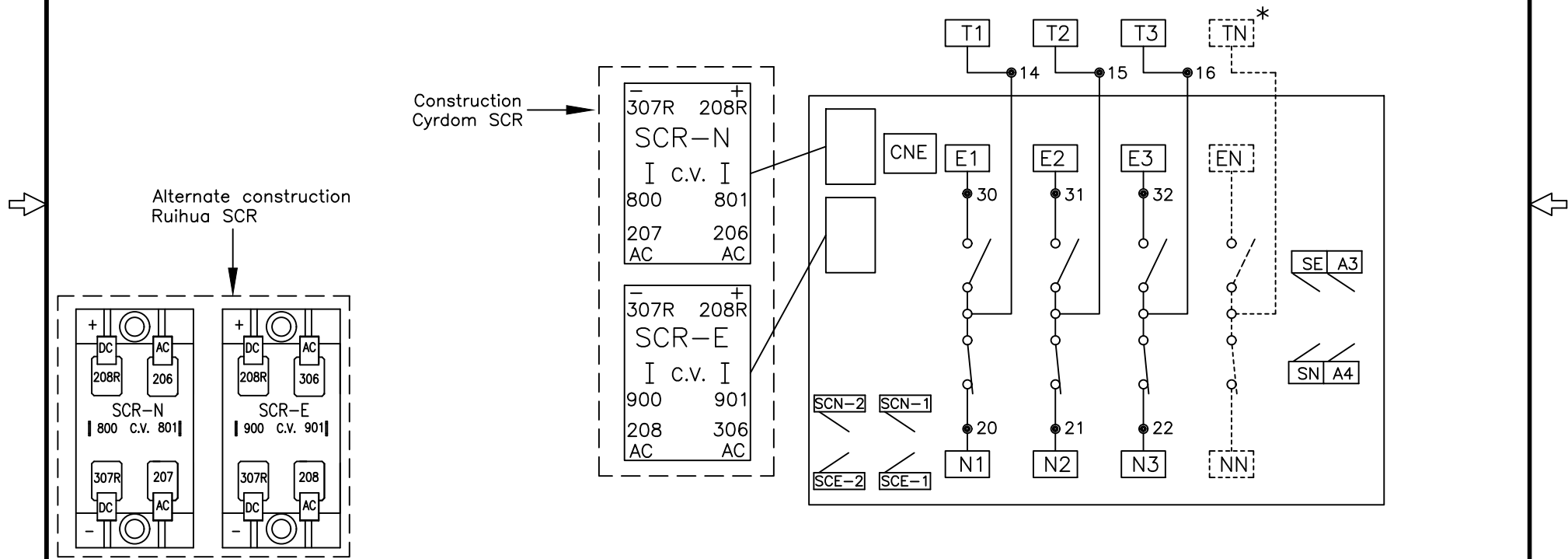


ATS POWER CIRCUIT SCHEMATIC

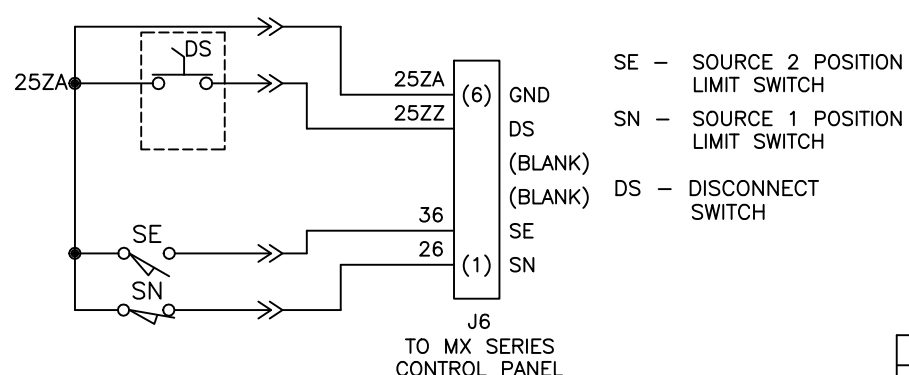
REVISIONS			
REV.	DESCRIPTION	DATE	APPROVED
3	C077097	09/24/19	AR MAS



ATS POWER PANEL LAYOUT



LIMIT SWITCH SCHEMATIC



LEGEND	REFERENCE	NOTES
● WIRE CONNECTION	LEGEND, OPERATION, AND ACCESSORIES: 73A-0900 FOR PRODUCTION ONLY: CPS AND PLUGS - SEE SHT 2. MX250 CONTROLLER - 71A-0500.	ATS SHOWN IN SOURCE 1 POSITION WITH NO POWER AVAILABLE.
○ WIRE ON TERMINAL BLOCK		
➤ WIRE IN INTERCONNECT PLUG		
* OPTIONAL		

ABB PROPRIETARY AND CONFIDENTIAL INFORMATION

The information contained in this document has to be kept strictly confidential. Any unauthorized use, reproduction, distribution or disclosure to third parties is strictly forbidden.

ABB reserves all rights regarding intellectual Property Rights. Copyright 2018 ABB. All rights reserved.

THIRD ANGLE PROJECTION

FOR ADDITIONAL INFO REFER TO	SIGNATURES	DATE
APPLIED PRACTICES	MODEL YP	11/08/03
UNLESS OTHERWISE SPECIFIED DIMENSIONS ARE IN INCHES	DETAIL	
TOLERANCES ON:	CHECKED	
2 PL. DECIMALS ± .020	ENGRG	
3 PL. DECIMALS ± .005	MFG	
ANGLES ± 1°	QUALITY	
FRACTIONS ± 1/64	ISSUED	
FINISH	DRAWING FILE: 71a-1004.dwg	
AutoCad Generated	MODEL / ASSEMBLY FILE: ZTGSE40-150AMP (3/4 POLE)	
	# CTQs	CRITICAL TO QUALITY CHARACTERISTIC

ABB

TITLE
 ATS POWER CIRCUIT & LAYOUT
 (INVERTED DESIGN)

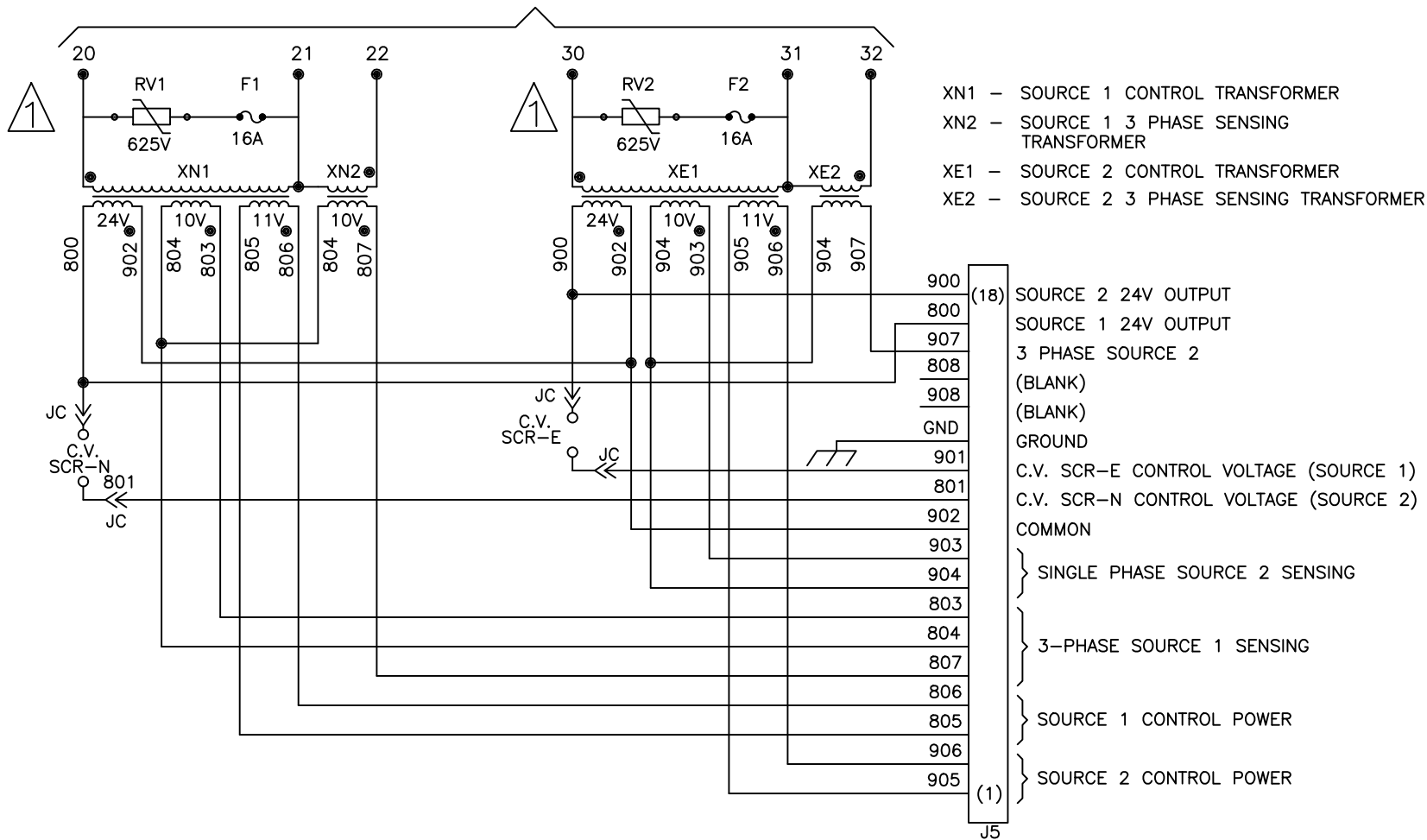
FIRST MADE FOR: ZTS40-150AMP (3/4 POLE)

SIZE	CAGE CODE	DWG NO
B		71A-1004

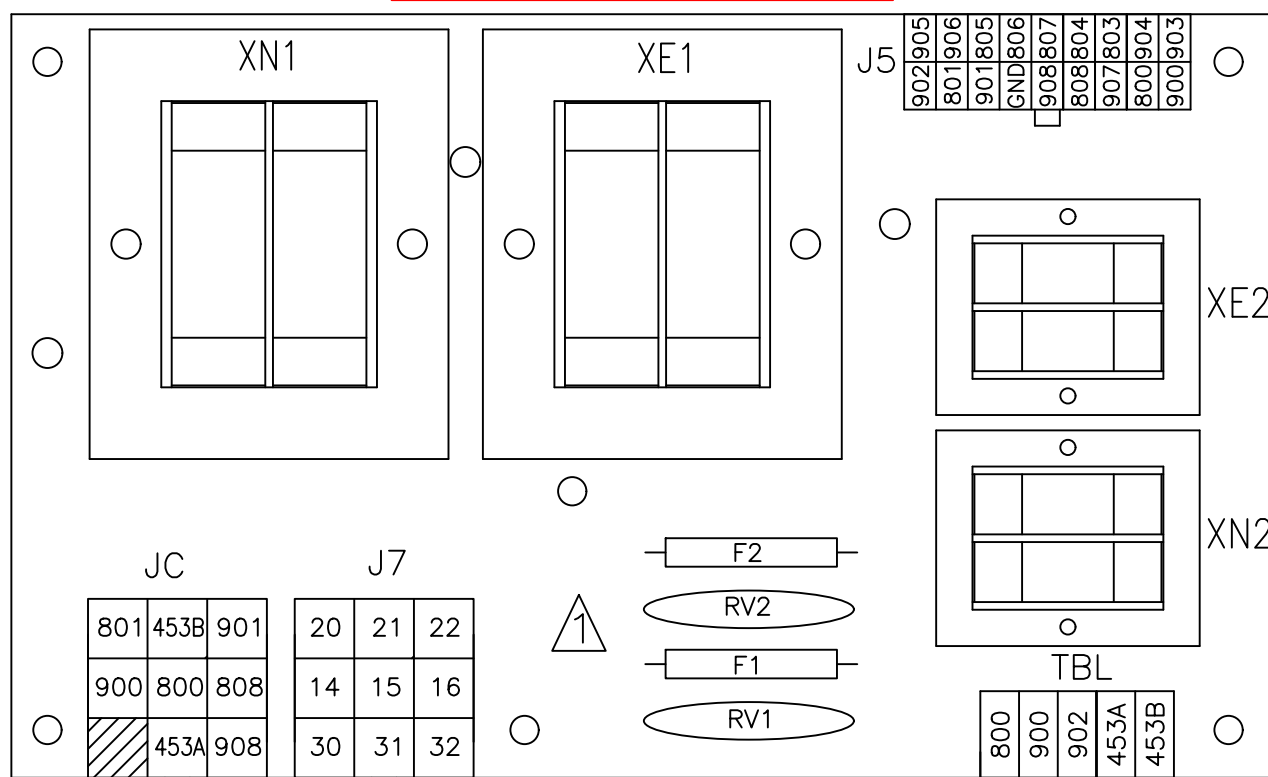
SCALE: NA SHEET 1 OF 2

CONTROLS POWER SUPPLY (CPS) SCHEMATIC

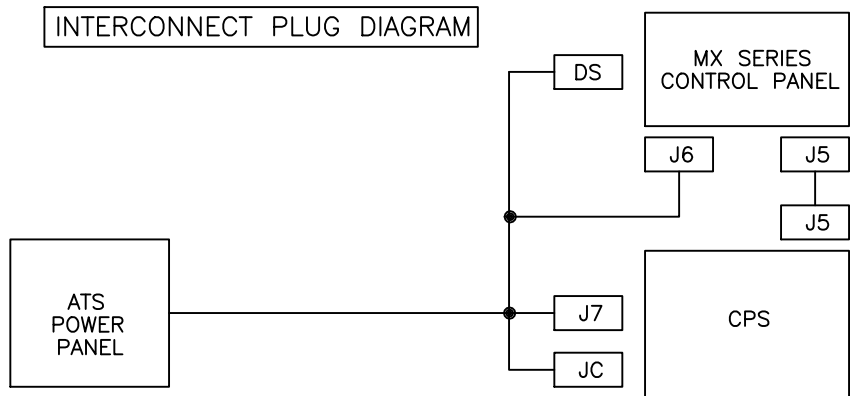
TO POWER CIRCUIT SCHEMATIC - SHEET 1



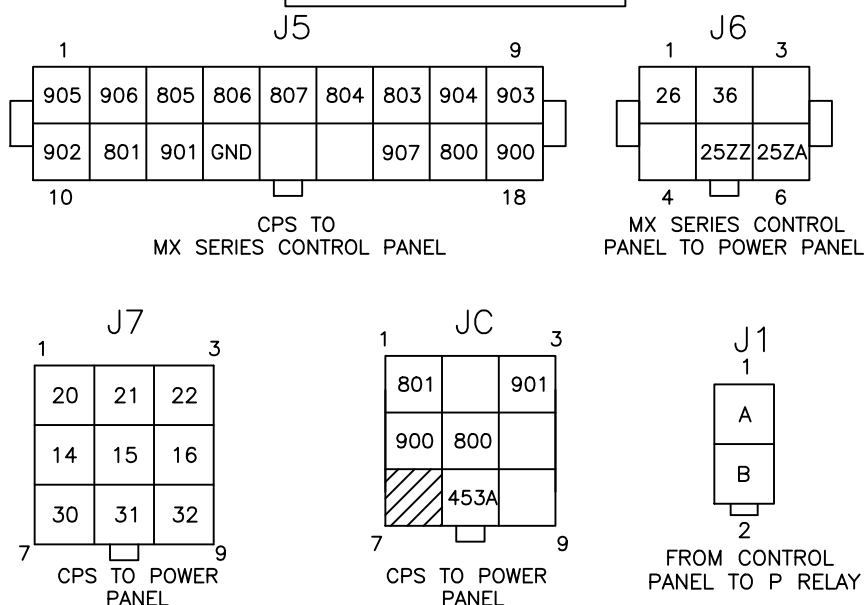
CONTROLS POWER SUPPLY (CPS)



INTERCONNECT PLUG DIAGRAM



INTERCONNECT PLUGS

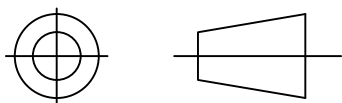


LEGEND

●- WIRE CONNECTION

ABB PROPRIETARY AND CONFIDENTIAL INFORMATION
 The information contained in the document has to be kept strictly confidential.
 Any unauthorized use, reproduction, distribution or disclosure to third parties is strictly forbidden.
 ABB reserves all rights regarding intellectual Property Rights.
 Copyright 2018 ABB. All rights reserved

THIRD ANGLE PROJECTION



FOR ADDITIONAL INFO REFER TO	SIGNATURES	DATE
APPLIED PRACTICES	MODEL YP	10/26/10
UNLESS OTHERWISE SPECIFIED DIMENSIONS ARE IN INCHES	DETAIL	
TOLERANCES ON:	CHECKED	
2 PL. DECIMALS ± .020	ENGRG	
3 PL. DECIMALS ± .005	MFG	
ANGLES ± 1°	QUALITY	
FRACTIONS ± 1/64	ISSUED	
FINISH	DRAWING FILE: 71a-1004.dwg	
✓	MODEL / ASSEMBLY FILE: ZTGSE 40-150 AMP (3/4 POLE)	
AutoCad Generated	# CTQs	CRITICAL TO QUALITY CHARACTERISTIC



TITLE
**CONTROLS POWER SUPPLY(CPS)
 & INTERCONNECT PLUGS**

FIRST MADE FOR: ZTGSE 40-150 AMP (3/4 POLE)

SIZE B CAGE CODE DWG NO

71A-1004

SCALE: -

SHEET 2 OF 2