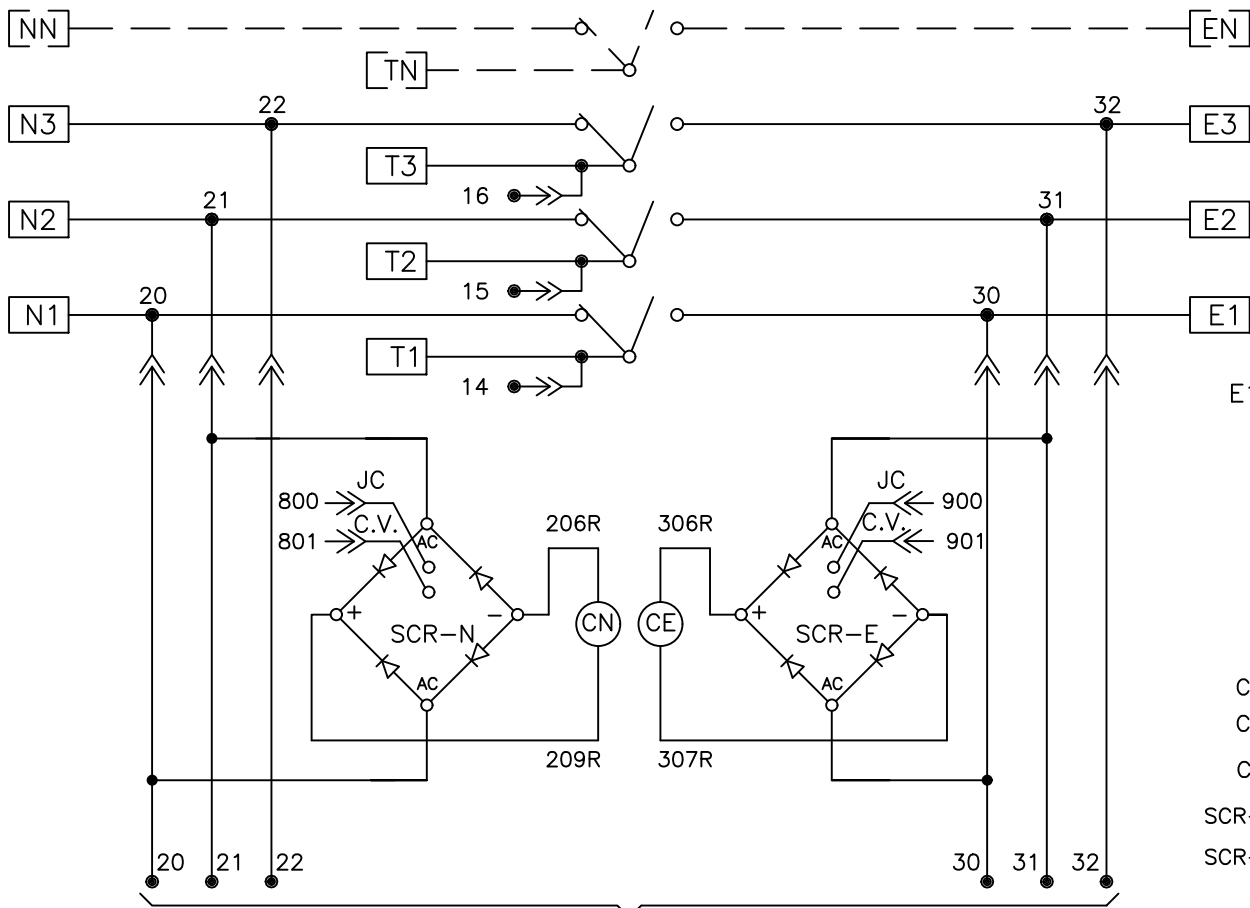


ATS POWER CIRCUIT SCHEMATIC

REVISIONS			
REV.	DESCRIPTION	DATE	APPROVED
4	C077003	09/23/19	AR MAS

N1,2,3,N - SOURCE 1 LINE

T1,2,3,N - LOAD



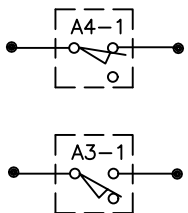
* SWITCHED OR SOLID NEUTRAL AS SPECIFIED FOR 4 WIRE SYSTEMS.

E1,2,3,N - SOURCE 2 LINE

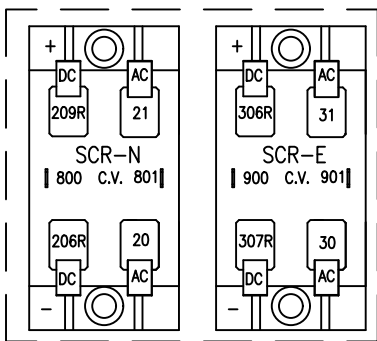
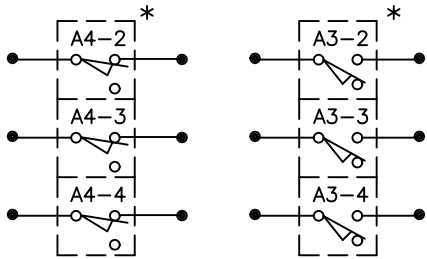
- C.V. - CONTROL VOLTAGE
- CN - SOURCE 1 TRANSFER OPERATOR
- CE - SOURCE 2 TRANSFER OPERATOR
- SCR-E - SOURCE 2 CE SCR
- SCR-N - SOURCE 1 CN SCR

TO CONTROLS POWER SUPPLY (CPS) SCHEMATIC - SHEET 2

AUXILIARY CONTACTS

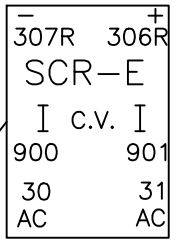
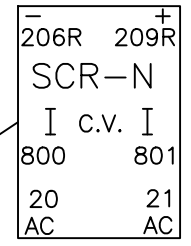
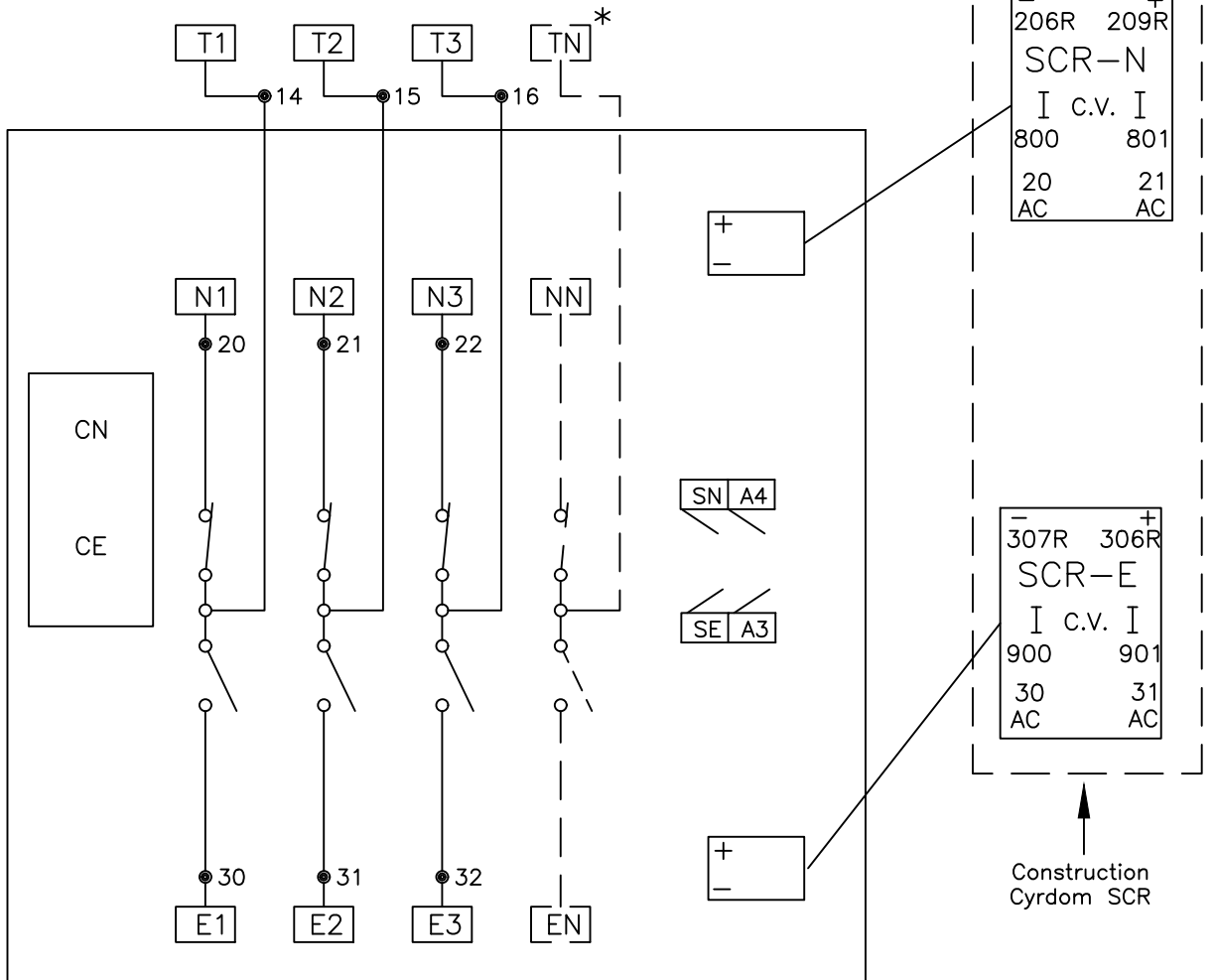


(OPTIONAL SWITCHES)



Alternate construction Ruihua SCR

ATS POWER PANEL LAYOUT



Construction Cyrdom SCR

NOTES

ATS SHOWN IN SOURCE 1 POSITION WITH NO POWER AVAILABLE.

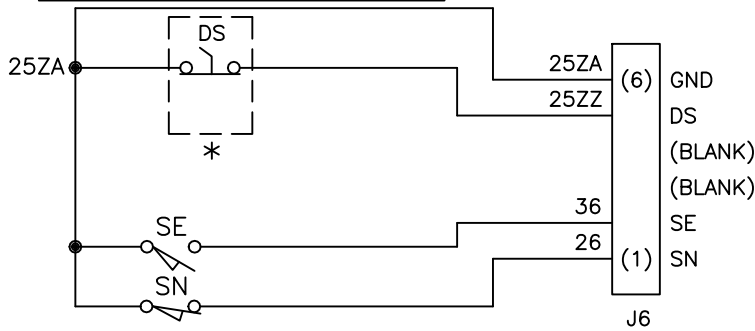
LEGEND

- WIRE CONNECTION
- WIRE ON TERMINAL BLOCK
- WIRE IN INTERCONNECT PLUG
- * OPTIONAL

REFERENCE

LEGEND, OPERATION, AND ACCESSORIES:
73A-0900
FOR PRODUCTION ONLY:
CPS AND PLUGS - SEE SHT 2
MX250 CONTROLLER - 71A-0500

LIMIT SWITCH SCHEMATIC



- SE - SOURCE 2 LIMIT SWITCH
- SN - SOURCE 1 LIMIT SWITCH
- DS - DISCONNECT SWITCH ON MX250

TO MX SERIES

ABB PROPRIETARY AND CONFIDENTIAL INFORMATION
The information contained in the document has to be kept strictly confidential.
Any unauthorized use, reproduction, distribution or disclosure to third parties is strictly forbidden.
ABB reserves all rights regarding intellectual Property Rights.
Copyright 2018 ABB. All rights reserved

FOR ADDITIONAL INFO REFER TO	SIGNATURES	DATE
APPLIED PRACTICES	MODEL GG	04/07/03
UNLESS OTHERWISE SPECIFIED DIMENSIONS ARE IN INCHES	DETAIL	
TOLERANCES ON:	CHECKED	
2 PL. DECIMALS ± .020	ENGRG FS	
3 PL. DECIMALS ± .005	MFG	
ANGLES ± 1°	QUALITY	
FRACTIONS ± 1/64	ISSUED	
FINISH	DRAWING FILE: 71A-2000.dwg	
✓	MODEL / ASSEMBLY FILE: ZTS(2/3/4)(225-400AMP)	
AutoCad Generated	# CTQs	CRITICAL TO QUALITY CHARACTERISTIC



ATS POWER CIRCUIT & LAYOUT

FIRST MADE FOR: ZTS(2/3/4)(225-400AMP)

SIZE B CAGE CODE DWG NO

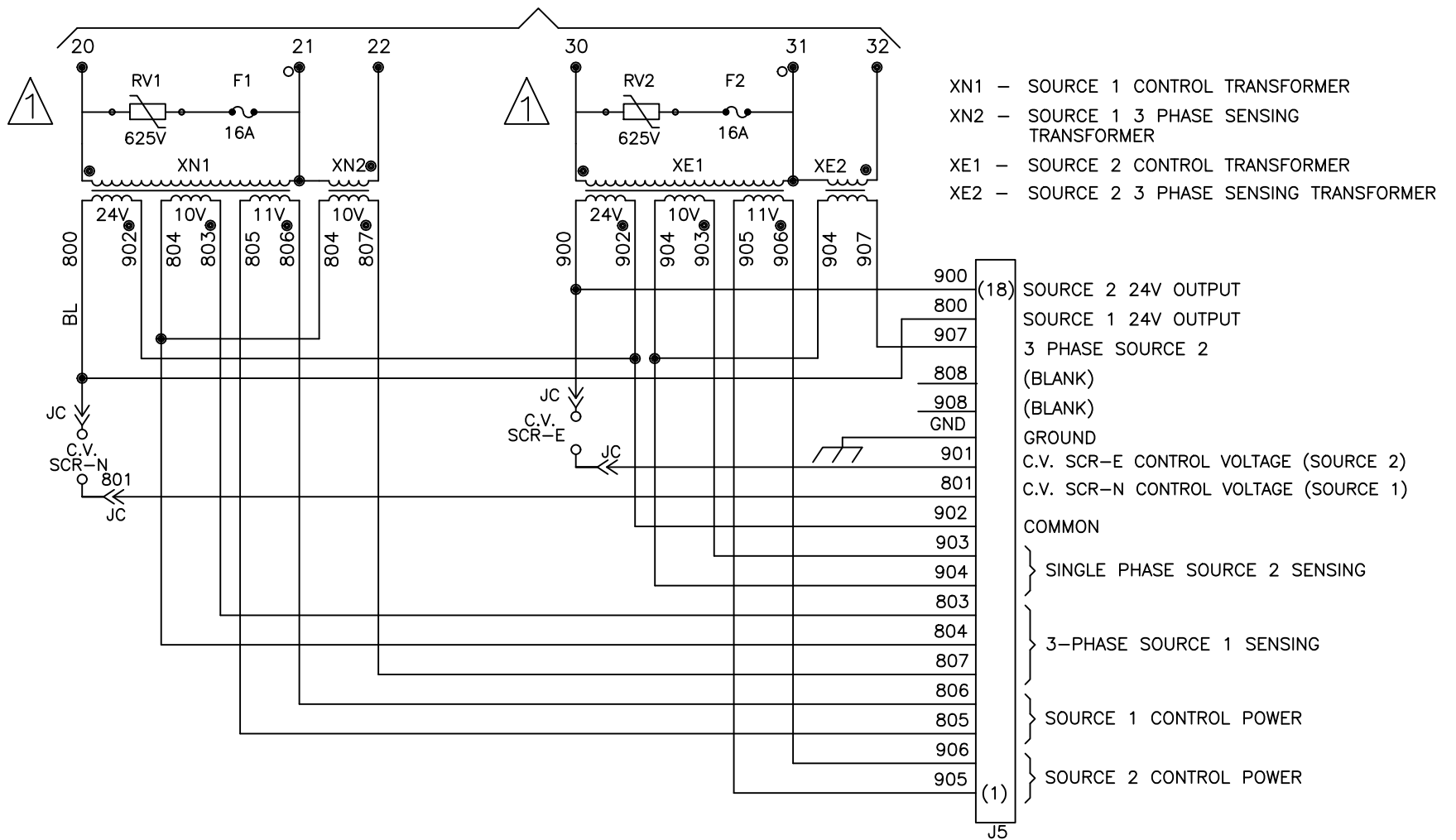
71A-2000

SCALE: N/A

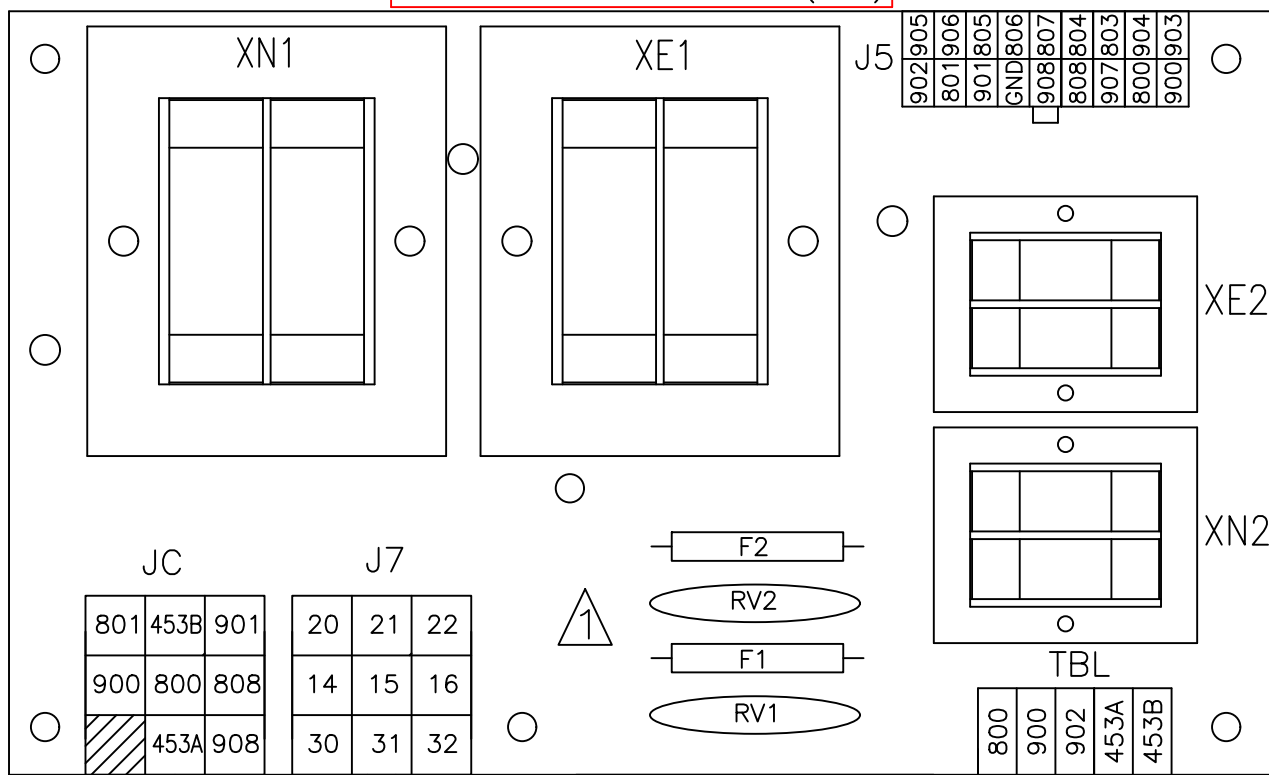
SHEET 1 OF 2

CONTROLS POWER SUPPLY (CPS) SCHEMATIC

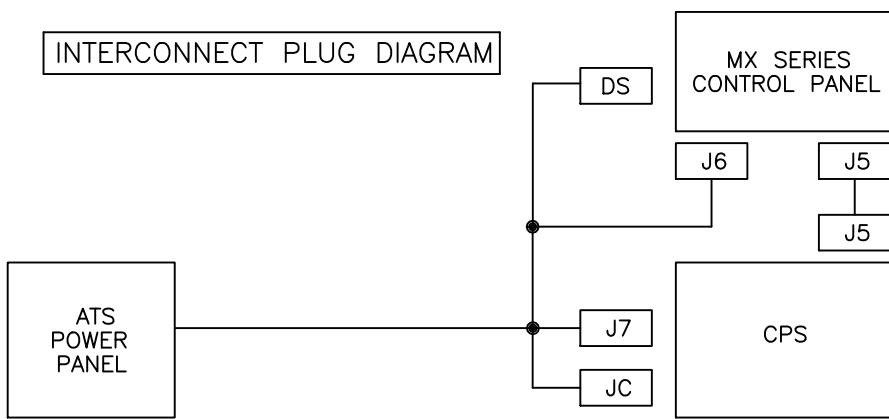
TO POWER CIRCUIT SCHEMATIC - SHEET 1



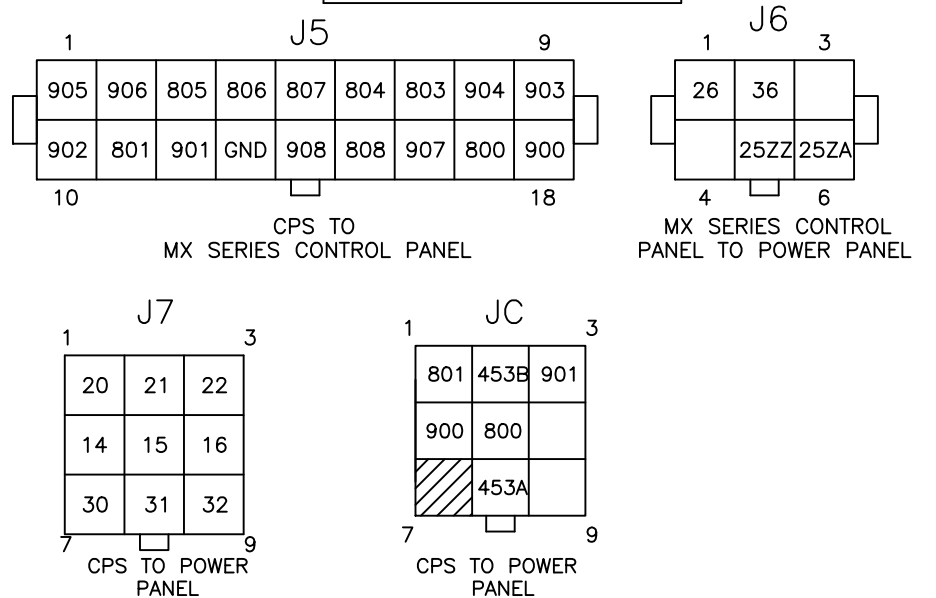
CONTROLS POWER SUPPLY (CPS)



INTERCONNECT PLUG DIAGRAM



INTERCONNECT PLUGS

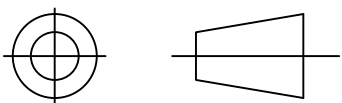


LEGEND

● - WIRE CONNECTION

ABB PROPRIETARY AND CONFIDENTIAL INFORMATION
 The information contained in this document has to be kept strictly confidential.
 Any unauthorized use, reproduction, distribution or disclosure to third parties is strictly forbidden.
 ABB reserves all rights regarding intellectual Property Rights.
 Copyright 2018 ABB. All rights reserved

THIRD ANGLE PROJECTION



FOR ADDITIONAL INFO REFER TO APPLIED PRACTICES UNLESS OTHERWISE SPECIFIED DIMENSIONS ARE IN INCHES

TOLERANCES ON:
 2 PL. DECIMALS ± .020
 3 PL. DECIMALS ± .005
 ANGLES ± 1°
 FRACTIONS ± 1/64
 FINISH ✓

SIGNATURES		DATE
MODEL	GG	04/08/03
DETAIL		
CHECKED		
ENGRG	FS	
MFG		
QUALITY		
ISSUED		
DRAWING FILE:	71a-2000.dwg	
MODEL / ASSEMBLY FILE:	ZTS(2,3,4)(225-400 AMP)	
# CTQs	⊖	CRITICAL TO QUALITY CHARACTERISTIC



TITLE
 CONTROLS POWER SUPPLY(CPS)
 INTERCONNECT PLUGS

FIRST MADE FOR: ZTS(2,3,4)(225-400 AMP)

SIZE B CAGE CODE DWG NO

71A-2000

SCALE: N/A

SHEET 2 OF 2

AutoCad Generated