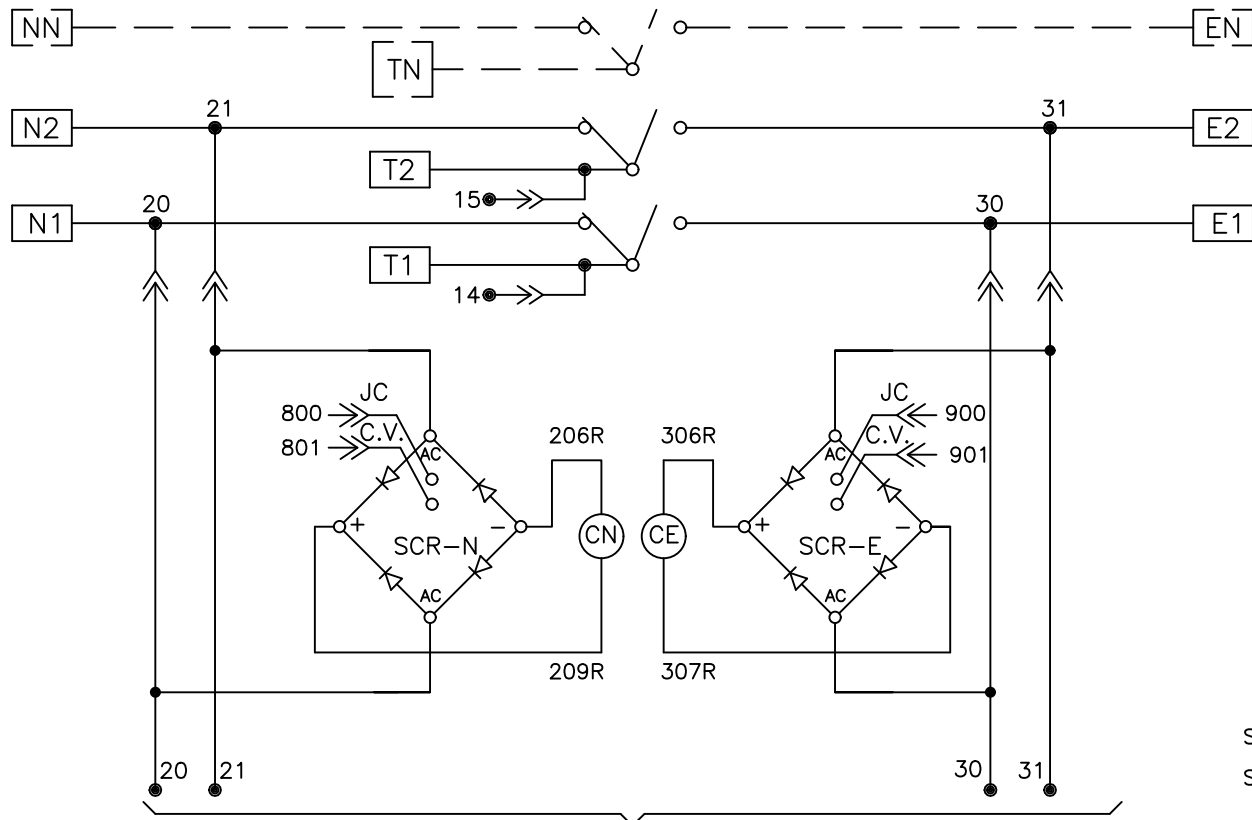


ATS POWER CIRCUIT SCHEMATIC

REVISIONS			
REV.	DESCRIPTION	DATE	APPROVED
4	C077097	09/24/19	AR MAS

N1,2,N - SOURCE 1 LINE      T1,2,N - LOAD      E1,2,N - SOURCE 2 LINE

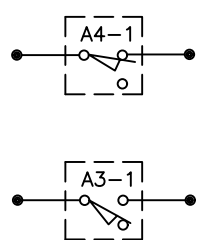


\* SWITCHED OR SOLID NEUTRAL AS SPECIFIED FOR 3 WIRE SYSTEMS.

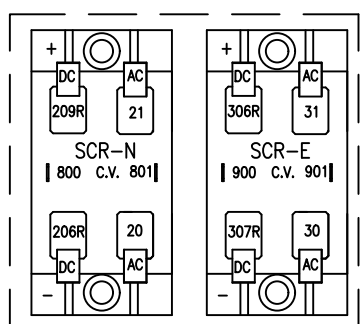
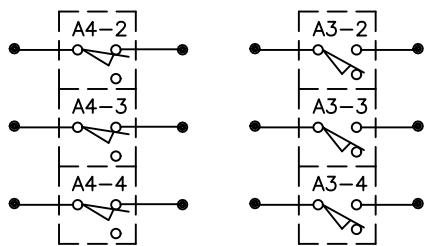
- C.V. - CONTROL VOLTAGE
- CN - SOURCE 1 TRANSFER OPERATOR
- CE - SOURCE 2 TRANSFER OPERATOR
- SCR-E - SOURCE 2 CE SCR
- SCR-N - SOURCE 1 CN SCR

TO CONTROLS POWER SUPPLY (CPS) SCHEMATIC - SHEET 2

AUXILIARY CONTACTS

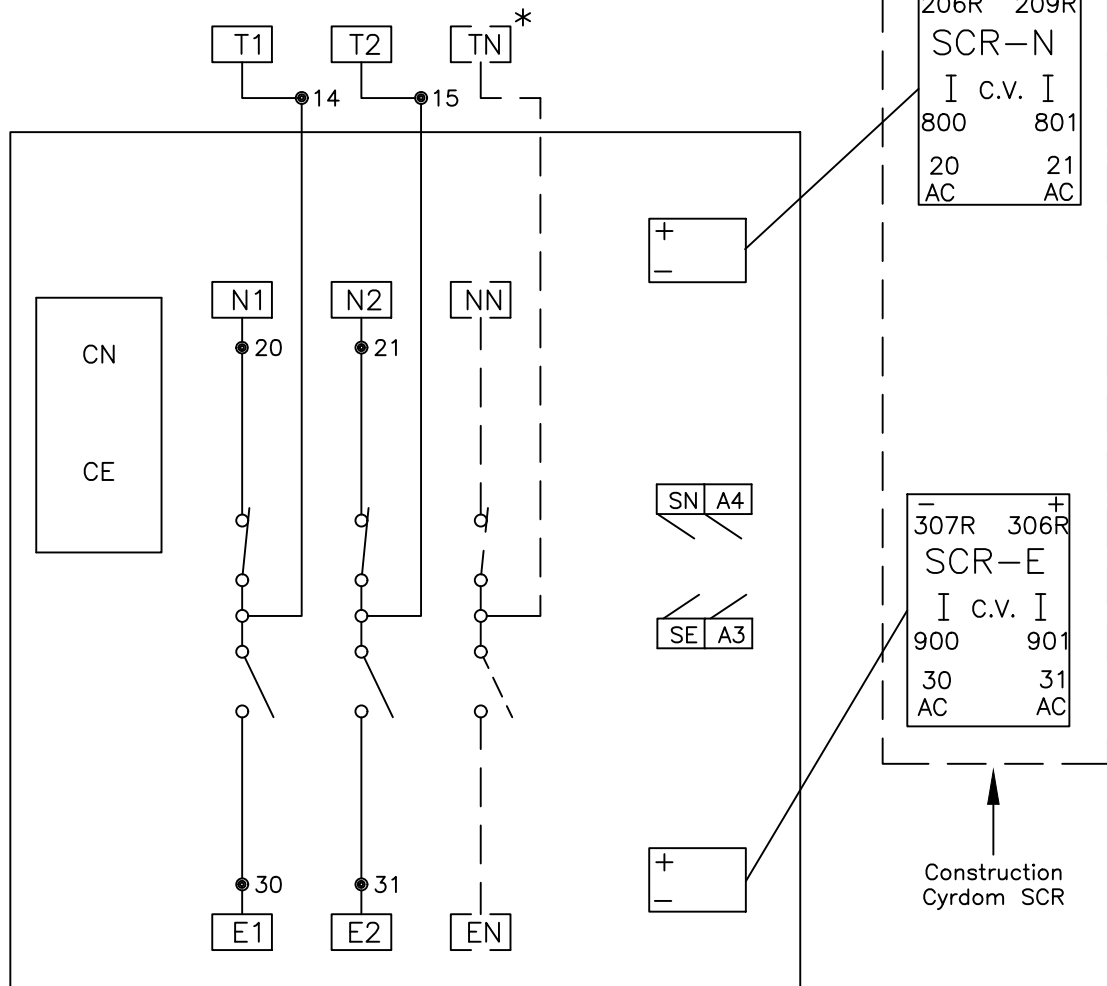


(OPTIONAL SWITCHES)



Alternate construction Ruihua SCR

ATS POWER PANEL LAYOUT



Construction Cyrdom SCR

LEGEND

- WIRE CONNECTION
- WIRE ON TERMINAL BLOCK
- ⇒ WIRE IN INTERCONNECT PLUG
- \* OPTIONAL

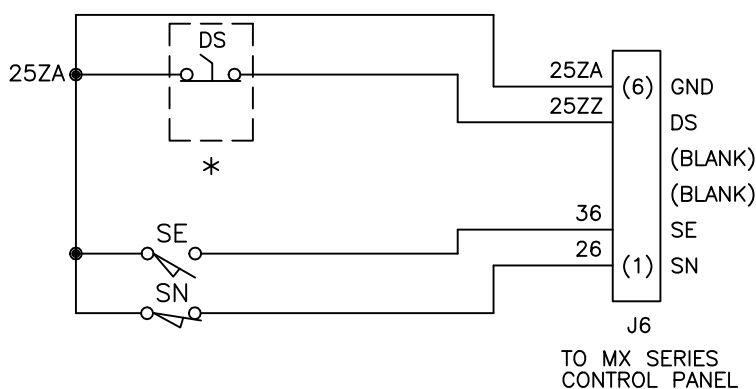
NOTES

ATS SHOWN IN SOURCE 1 POSITION WITH NO POWER AVAILABLE.

REFERENCE

LEGEND, OPERATION, AND ACCESSORIES: 73A-0900  
FOR PRODUCTION ONLY: CPS AND PLUGS - SEE SHT 2  
MX250 CONTROLLER - 71A-0500

LIMIT SWITCH SCHEMATIC



- SE - SOURCE 2 LIMIT SWITCH
- SN - SOURCE 1 LIMIT SWITCH
- DS - DISCONNECT SWITCH ON MX250

TO MX SERIES CONTROL PANEL

ABB PROPRIETARY AND CONFIDENTIAL INFORMATION

The information contained in this document has to be kept strictly confidential. Any unauthorized use, reproduction, distribution or disclosure to third parties is strictly forbidden. ABB reserves all rights regarding intellectual Property Rights. Copyright 2018 ABB. All rights reserved.

THIRD ANGLE PROJECTION

FOR ADDITIONAL INFO REFER TO	SIGNATURES	DATE
APPLIED PRACTICES	MODEL GG	04/07/03
UNLESS OTHERWISE SPECIFIED DIMENSIONS ARE IN INCHES	DETAIL	
TOLERANCES ON:	CHECKED	
2 PL. DECIMALS ± .020	ENGRG FS	
3 PL. DECIMALS ± .005	MFG	
ANGLES ± 1°	QUALITY	
FRACTIONS ± 1/64	ISSUED	
FINISH	DRAWING FILE: 71a-2001.dwg	
	MODEL / ASSEMBLY FILE: ZTS(2/3/4)(225-400AMP) 2 POLE	
AutoCad Generated	# CTQs	CRITICAL TO QUALITY CHARACTERISTIC

SIZE	FIRST MADE FOR:	DWG NO
B	ZTS(2/3/4)(225-400AMP) 2 POLE	71A-2001
SCALE: N/A		SHEET 1 OF 2



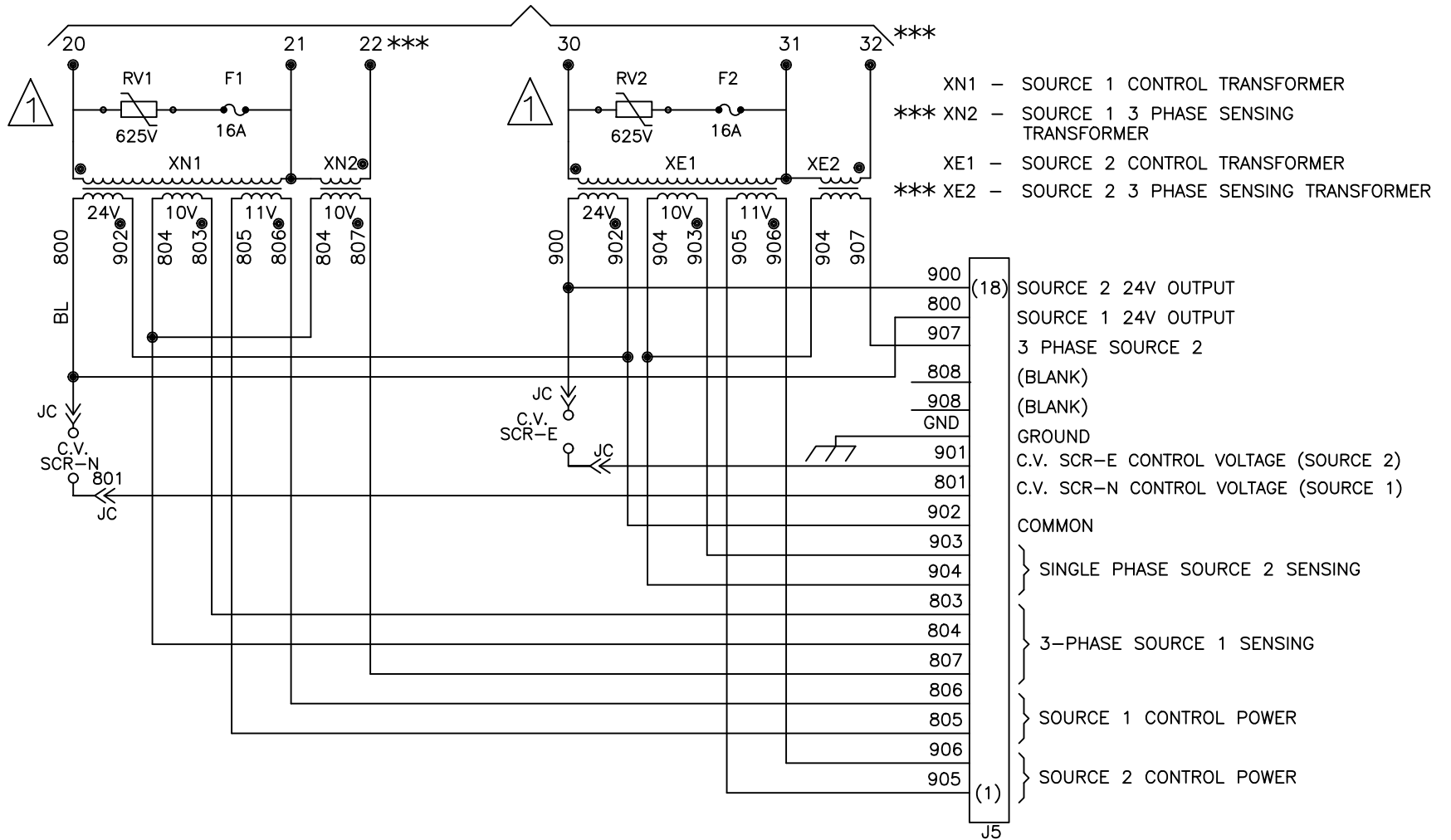
ATS POWER CIRCUIT & LAYOUT

SIZE B FIRST MADE FOR: ZTS(2/3/4)(225-400AMP) 2 POLE DWG NO 71A-2001

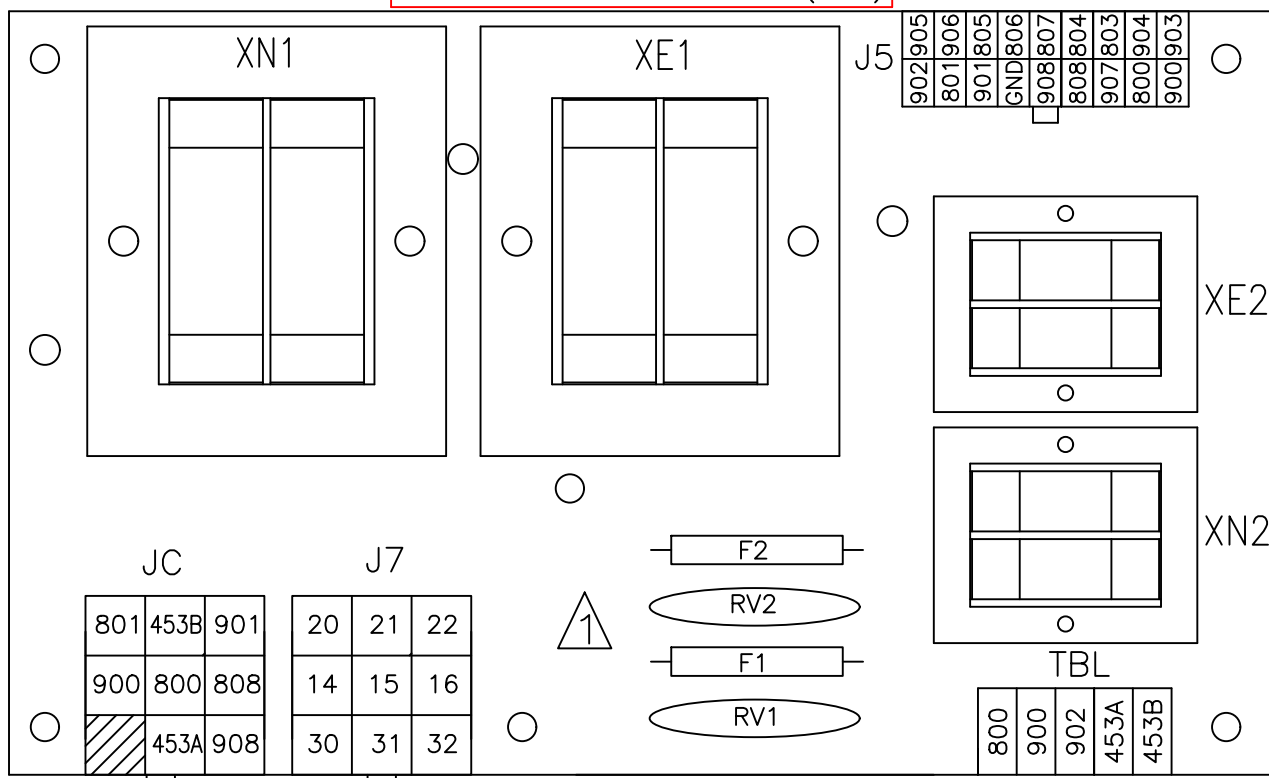
SCALE: N/A SHEET 1 OF 2

CONTROLS POWER SUPPLY (CPS) SCHEMATIC

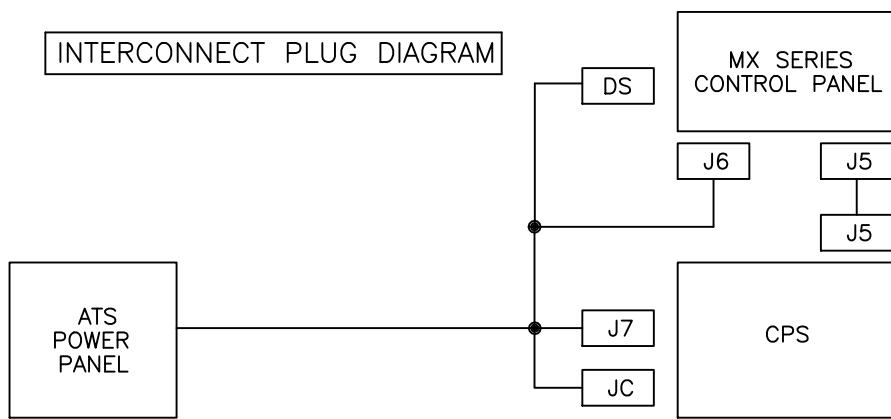
TO POWER CIRCUIT SCHEMATIC - SHEET 1



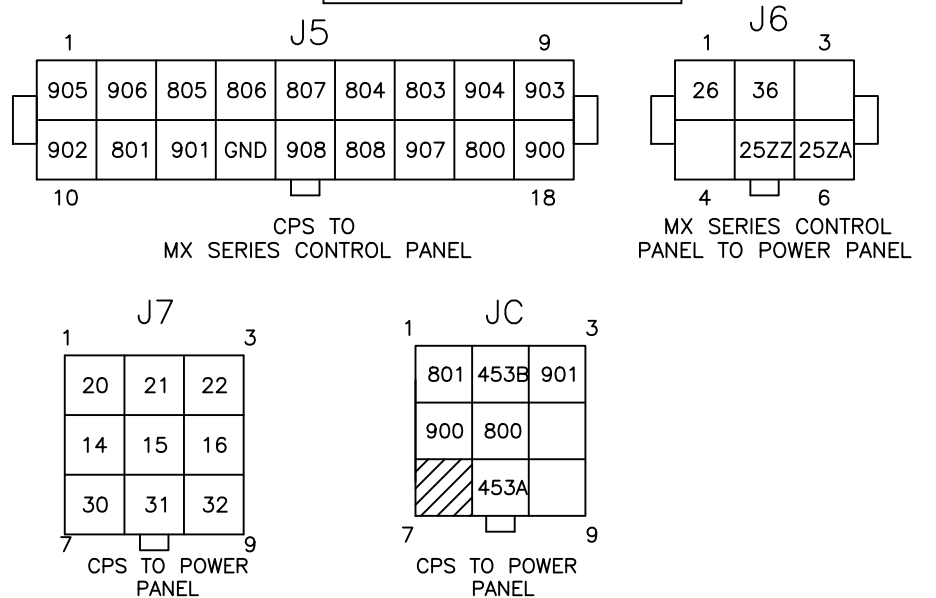
CONTROLS POWER SUPPLY (CPS)



INTERCONNECT PLUG DIAGRAM



INTERCONNECT PLUGS

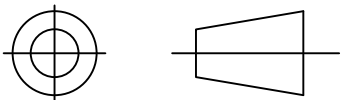


LEGEND

● WIRE CONNECTION  
 \*\*\* WIRE #22 & 32 REMAIN WIRED IN CPS  
 WIRE #22 AND #32 ARE NOT CONNECTED TO ATs POWER PANEL.

ABB PROPRIETARY AND CONFIDENTIAL INFORMATION  
 The information contained in the document has to be kept strictly confidential.  
 Any unauthorized use, reproduction, distribution or disclosure to third parties is strictly forbidden.  
 ABB reserves all rights regarding intellectual Property Rights.  
 Copyright 2018 ABB. All rights reserved

THIRD ANGLE PROJECTION



FOR ADDITIONAL INFO REFER TO	SIGNATURES	DATE
APPLIED PRACTICES	MODEL GG	04/07/03
UNLESS OTHERWISE SPECIFIED DIMENSIONS ARE IN INCHES	DETAIL	
TOLERANCES ON:	CHECKED	
2 PL. DECIMALS ± .020	ENGRG FS	
3 PL. DECIMALS ± .005	MFG	
ANGLES ± 1°	QUALITY	
FRACTIONS ± 1/64	ISSUED	
FINISH	DRAWING FILE: 71A-2001.dwg	
AutoCad Generated	MODEL / ASSEMBLY FILE: ZTS(2/3/4)(225-400AMP) 2 POLE	
# CTQs	CRITICAL TO QUALITY CHARACTERISTIC	



TITLE  
CONTROLS POWER SUPPLY(CPS) & INTERCONNECT PLUGS

FIRST MADE FOR: ZTS(2/3/4)(225-400AMP) 2 POLE

SIZE B CAGE CODE DWG NO

71A-2001

SCALE: N/A

SHEET 2 OF 2