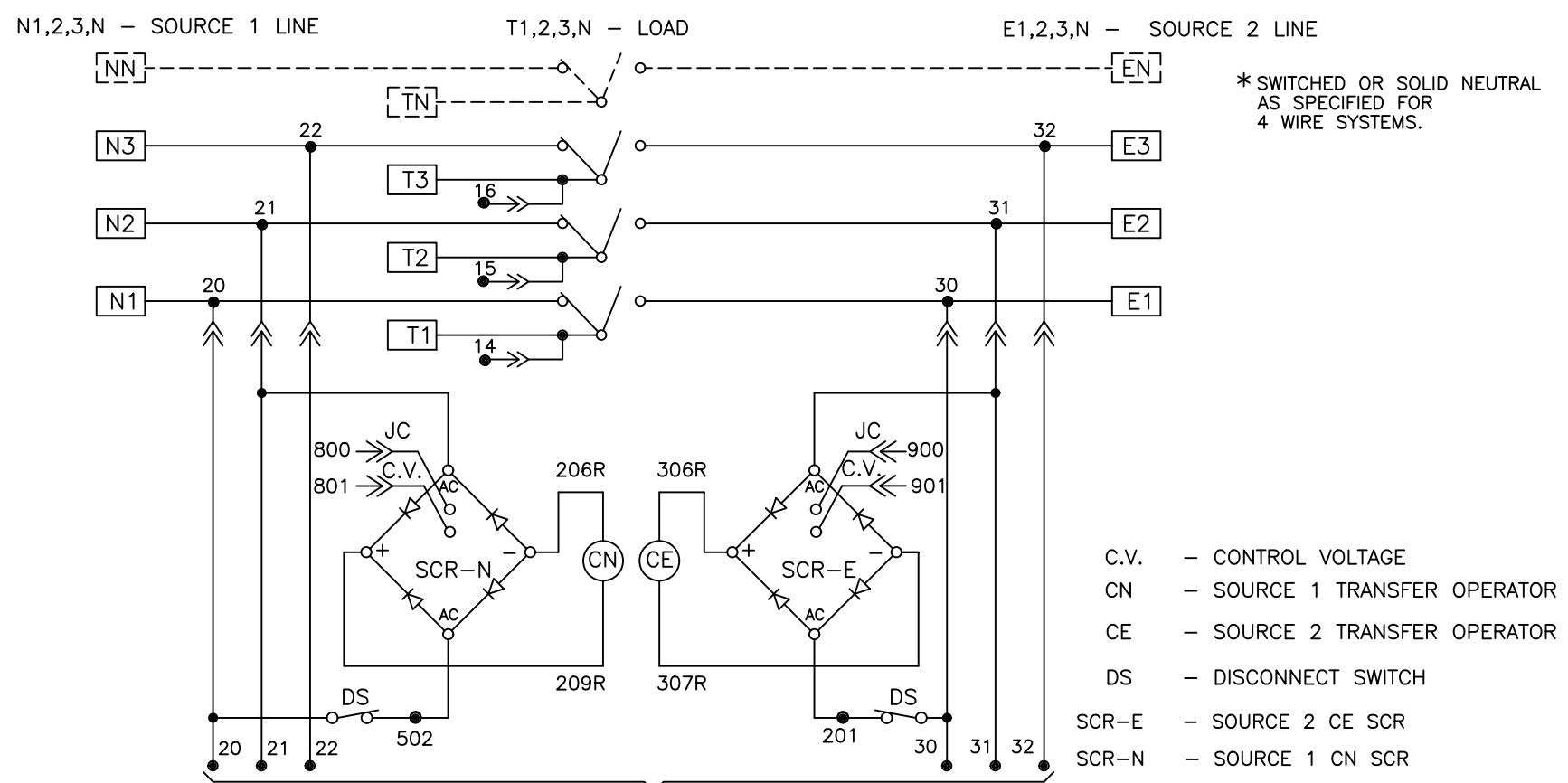


REVISIONS			
REV.	DESCRIPTION	DATE	APPROVED
4	C077003	09/23/19	AR MAS

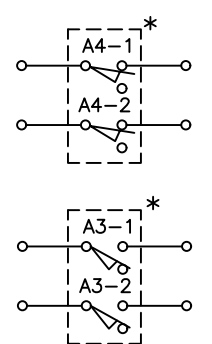
ATS POWER CIRCUIT SCHEMATIC



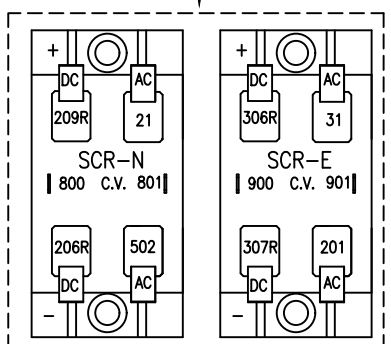
- C.V. - CONTROL VOLTAGE
- CN - SOURCE 1 TRANSFER OPERATOR
- CE - SOURCE 2 TRANSFER OPERATOR
- DS - DISCONNECT SWITCH
- SCR-E - SOURCE 2 CE SCR
- SCR-N - SOURCE 1 CN SCR

TO CONTROLS POWER SUPPLY (CPS) SCHEMATIC - SHEET 2

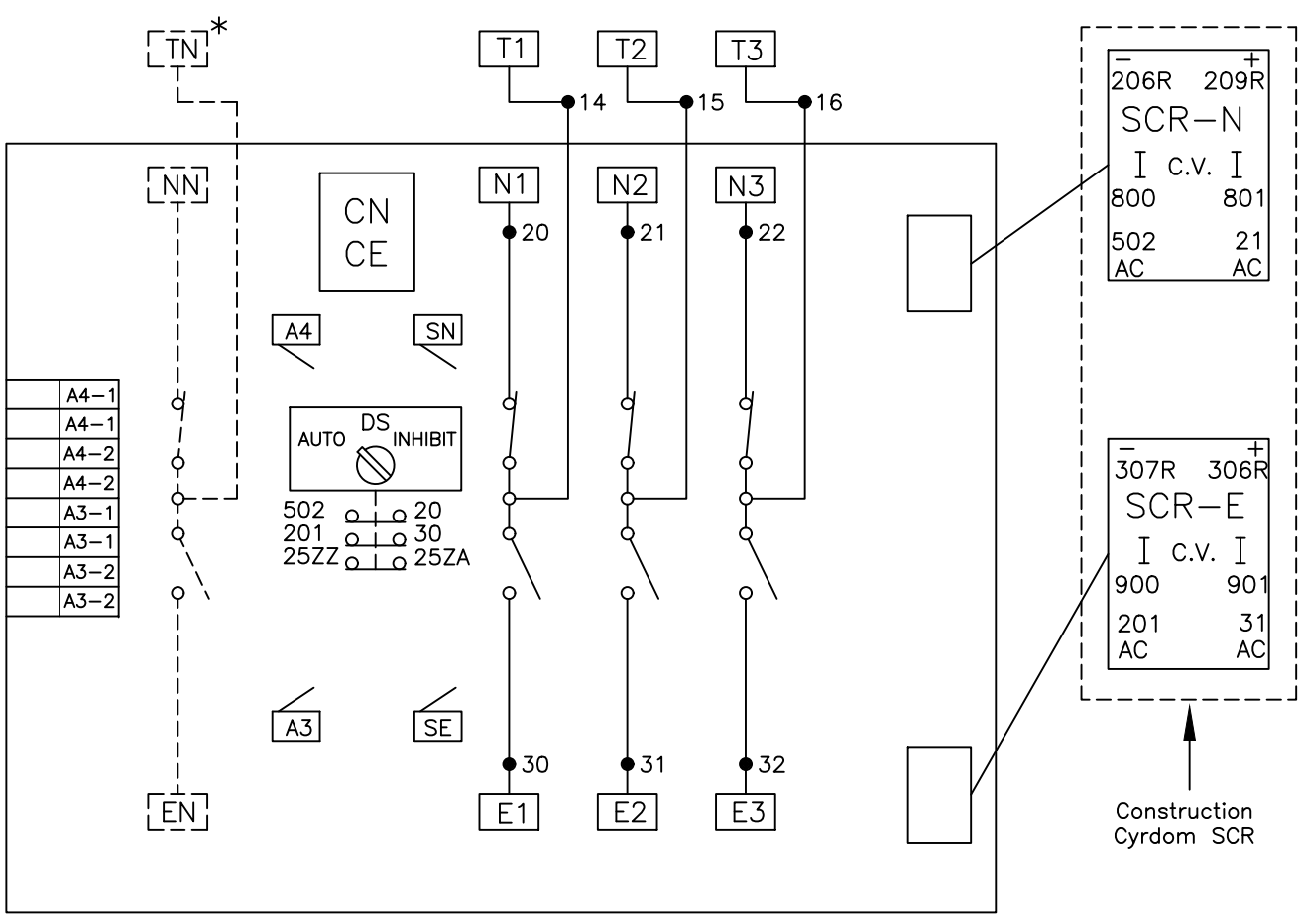
AUXILIARY CONTACTS



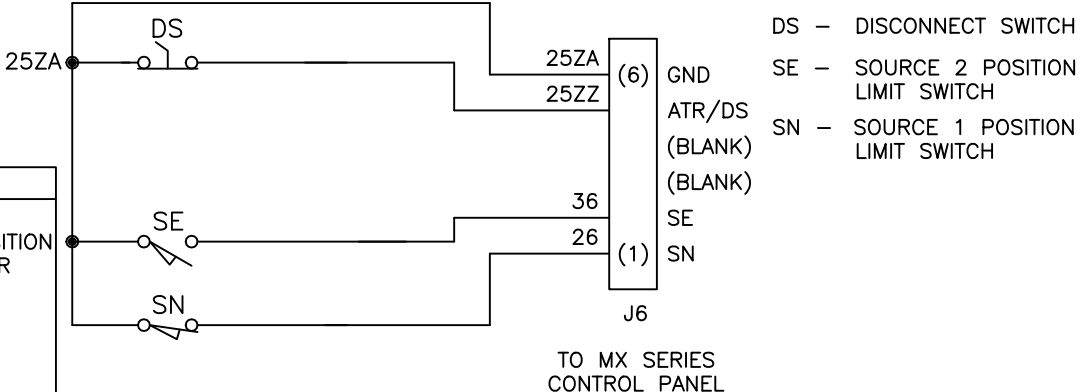
Alternate construction Ruihua SCR



ATS POWER PANEL LAYOUT



LIMIT SWITCH SCHEMATIC



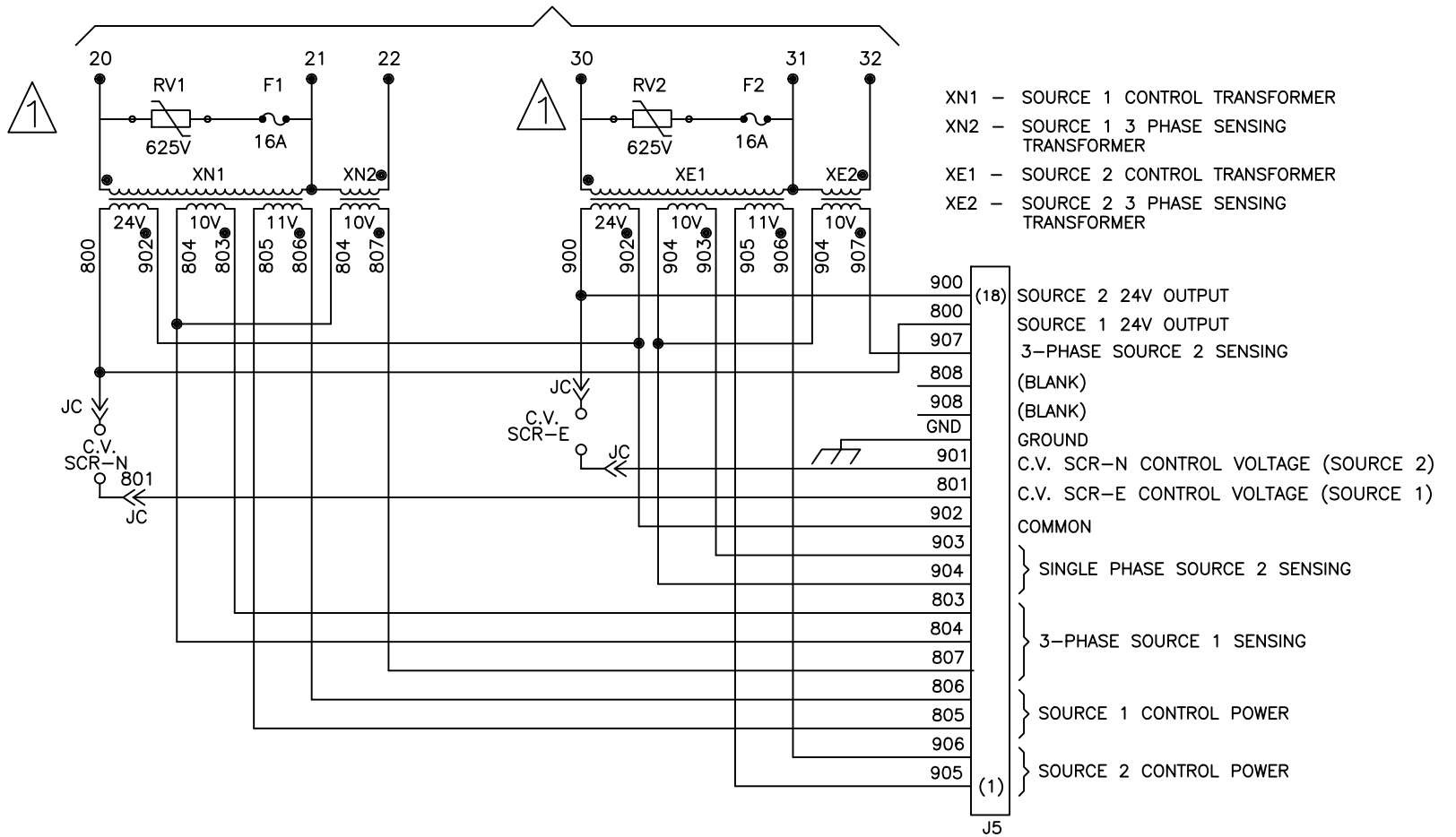
- DS - DISCONNECT SWITCH
- SE - SOURCE 2 POSITION LIMIT SWITCH
- SN - SOURCE 1 POSITION LIMIT SWITCH

LEGEND	REFERENCE NOTES
<ul style="list-style-type: none"> ● WIRE CONNECTION ○ WIRE ON TERMINAL BLOCK ⇒ WIRE IN INTERCONNECT PLUG * OPTIONAL 	<p>LEGEND, OPERATION, AND ACCESSORIES: 71A-0900 FOR PRODUCTION ONLY: CPS AND PLUG-SHEET 2 MX250 CONTROLLER-71A-0500</p> <p>ATS SHOWN IN SOURCE 1 POSITION WITH NO POWER AVAILABLE.</p>

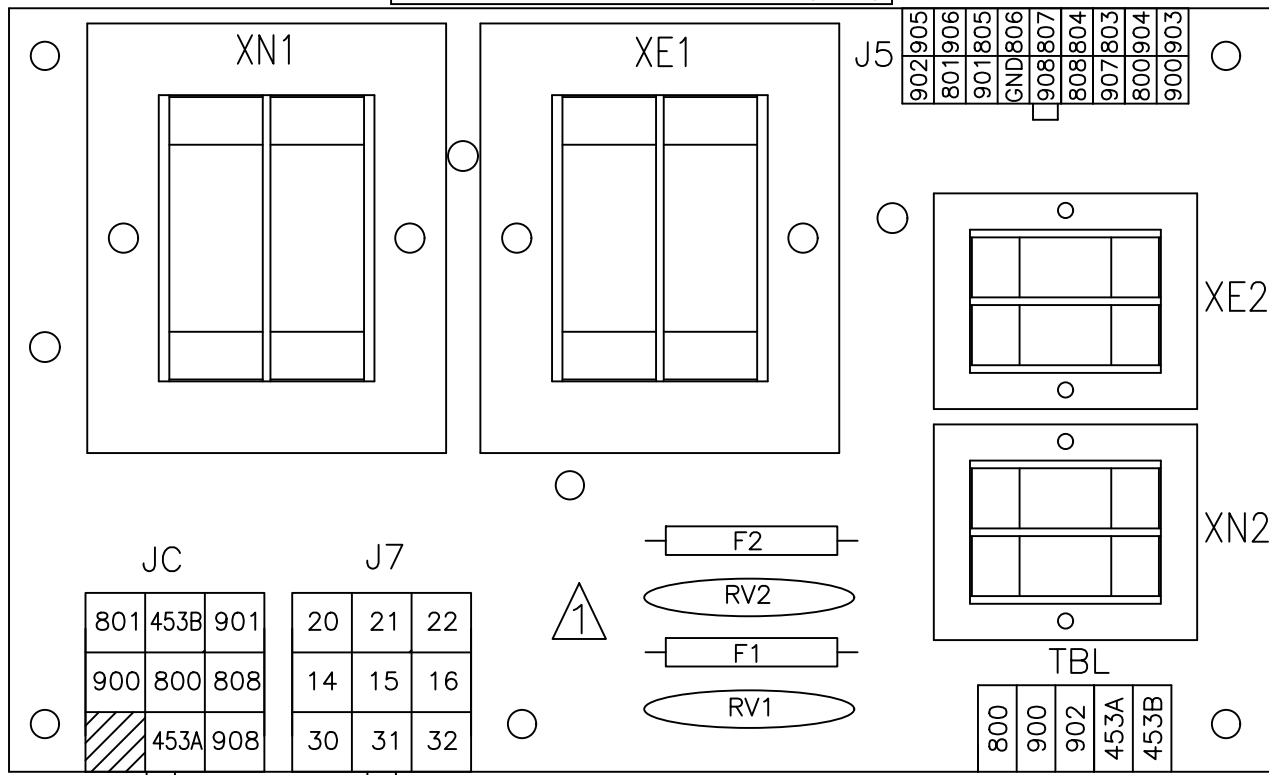
<p>ABB PROPRIETARY AND CONFIDENTIAL INFORMATION</p> <p>The information contained in the document has to be kept strictly confidential. Any unauthorized use, reproduction, distribution or disclosure to third parties is strictly forbidden. ABB reserves all rights regarding intellectual Property Rights. Copyright 2018 ABB. All rights reserved</p>	<p>FOR ADDITIONAL INFO REFER TO APPLIED PRACTICES UNLESS OTHERWISE SPECIFIED DIMENSIONS ARE IN INCHES</p> <p>TOLERANCES ON: 2 PL. DECIMALS ± .020 3 PL. DECIMALS ± .005 ANGLES ± 1° FRACTIONS ± 1/64</p> <p>FINISH ✓</p>	<p>SIGNATURES</p> <p>MODEL GG</p> <p>CHECKED ENGRG FS</p> <p>MFG</p> <p>QUALITY</p> <p>ISSUED</p>	<p>DATE 04/07/03</p>	<p>TITLE</p> <p>ABB</p> <p>ATS POWER CIRCUIT & LAYOUT</p> <p>FIRST MADE FOR: ZTS(600-1200AMP)</p> <p>SIZE B CAGE CODE DWG NO 71A-3000</p>
	<p>THIRD ANGLE PROJECTION</p>	<p>AutoCad Generated</p>	<p>DRAWING FILE: 71a-3000.dwg</p> <p>MODEL / ASSEMBLY FILE: ZTS120 (600-1200AMP)</p> <p># CTQs</p>	

CONTROLS POWER SUPPLY (CPS) SCHEMATIC

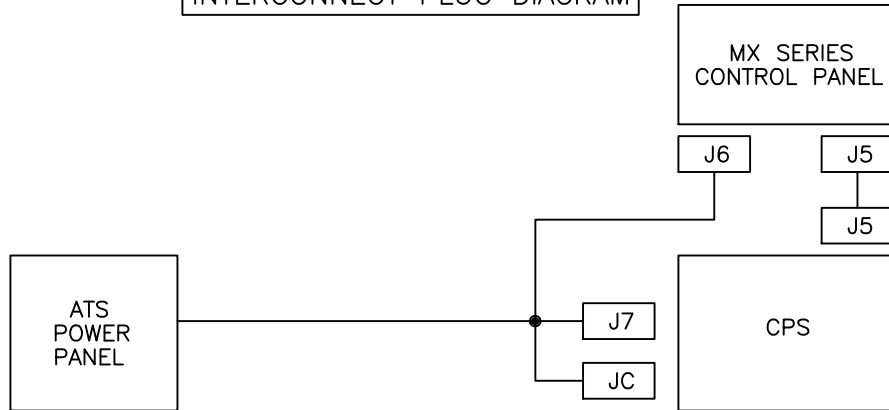
TO POWER CIRCUIT SCHEMATIC - SHEET 1



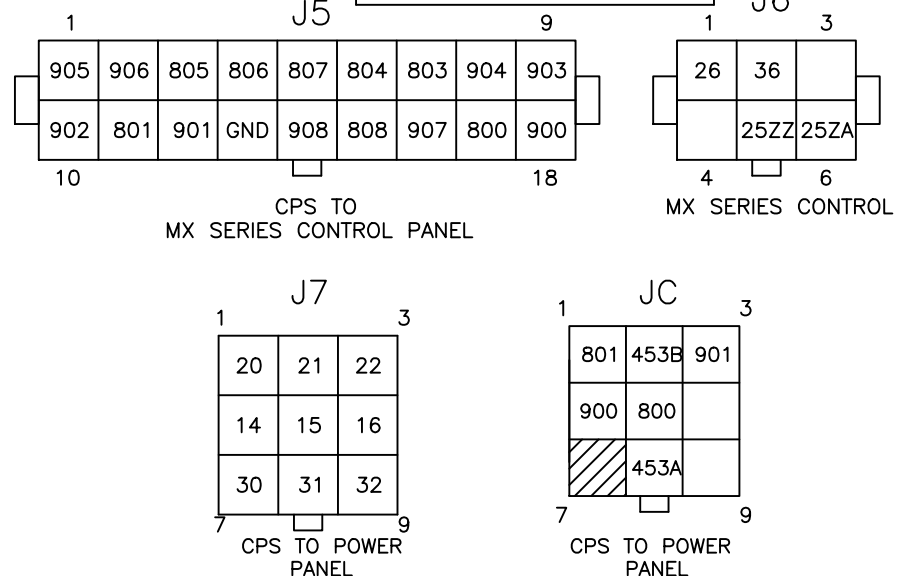
CONTROLS POWER SUPPLY (CPS)



INTERCONNECT PLUG DIAGRAM



INTERCONNECT PLUGS

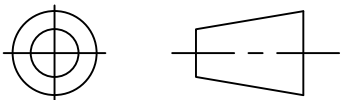


LEGEND

- WIRE CONNECTION
- * OPTIONAL

ABB PROPRIETARY AND CONFIDENTIAL INFORMATION
 The information contained in this document has to be kept strictly confidential.
 Any unauthorized use, reproduction, distribution or disclosure to third parties is strictly forbidden.
 ABB reserves all rights regarding intellectual Property Rights.
 Copyright 2018 ABB. All rights reserved

THIRD ANGLE PROJECTION



FOR ADDITIONAL INFO REFER TO APPLIED PRACTICES UNLESS OTHERWISE SPECIFIED DIMENSIONS ARE IN INCHES

TOLERANCES ON:
 2 PL. DECIMALS ± .020
 3 PL. DECIMALS ± .005
 ANGLES ± 1°
 FRACTIONS ± 1/64

FINISH ✓
 AutoCad Generated

SIGNATURES

MODEL	GG
DATE	04/07/03
DETAIL	
CHECKED	
ENGRG	FS
MFG	
QUALITY	
ISSUED	
DRAWING FILE:	71a-3000.dwg
MODEL / ASSEMBLY FILE:	ZTS(600-1200AMP)
# CTQs	
CRITICAL TO QUALITY CHARACTERISTIC	

TITLE
 CONTROLS POWER SUPPLY(CPS)
 & INTERCONNECT PLUGS

FIRST MADE FOR:	ZTS(600-1200AMP)
SIZE	B
CAGE CODE	
DWG NO	71A-3000
SCALE:	NA
SHEET	2 OF 2

