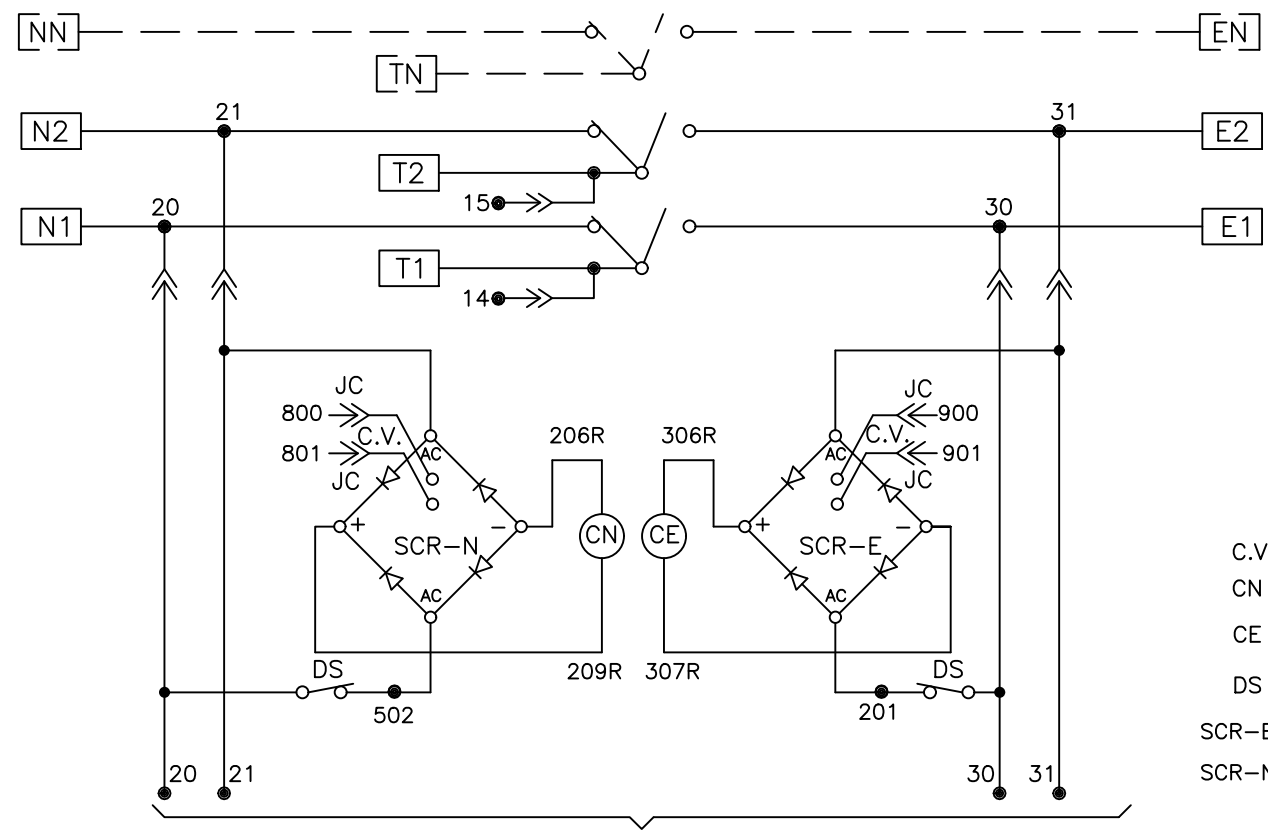


REVISIONS			
REV.	DESCRIPTION	DATE	APPROVED
4	C077097	09/24/19	AR MAS

ATS POWER CIRCUIT SCHEMATIC

N1,2,N - SOURCE 1 LINE T1,2,N - LOAD E1,2,N - SOURCE 2 LINE

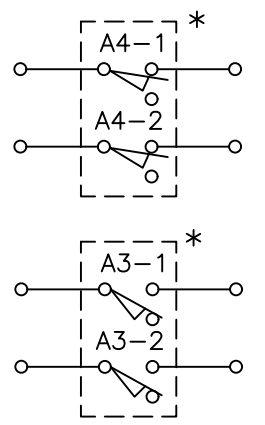


* SWITCHED OR SOLID NEUTRAL AS SPECIFIED FOR 3 WIRE SYSTEMS.

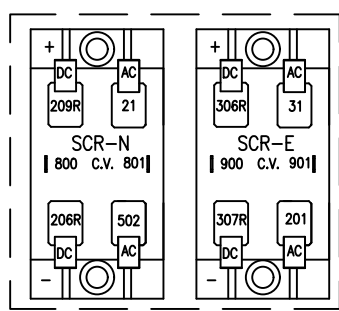
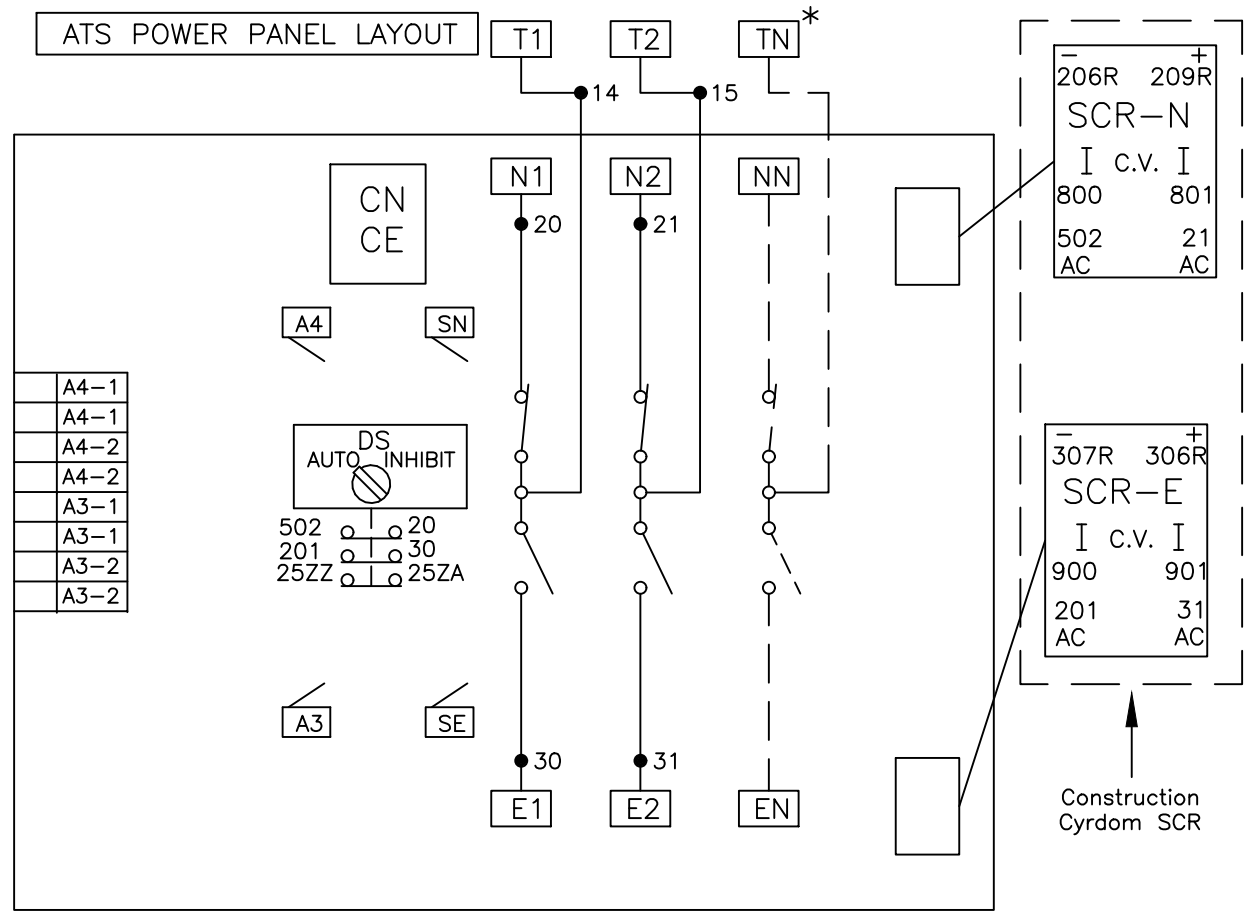
- C.V. - CONTROL VOLTAGE
- CN - SOURCE 1 TRANSFER OPERATOR
- CE - SOURCE 2 TRANSFER OPERATOR
- DS - DISCONNECT SWITCH
- SCR-E - SOURCE 2 CE SCR
- SCR-N - SOURCE 1 CN SCR

TO CONTROLS POWER SUPPLY (CPS) SCHEMATIC - SHEET 2

AUXILIARY CONTACTS



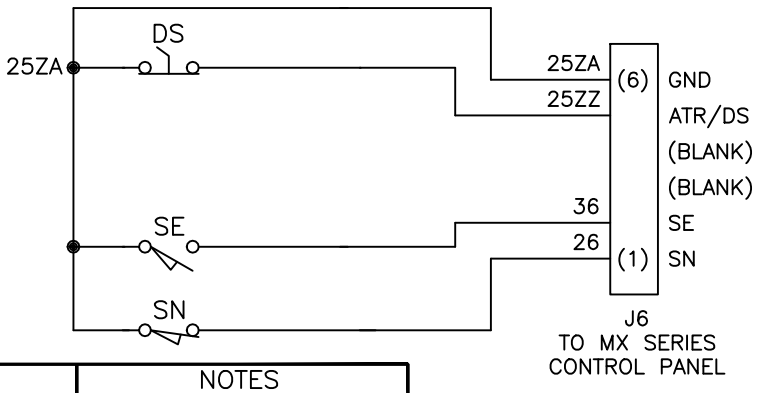
ATS POWER PANEL LAYOUT



Alternate construction Ruihua SCR

Construction Cyrdom SCR

LIMIT SWITCH SCHEMATIC



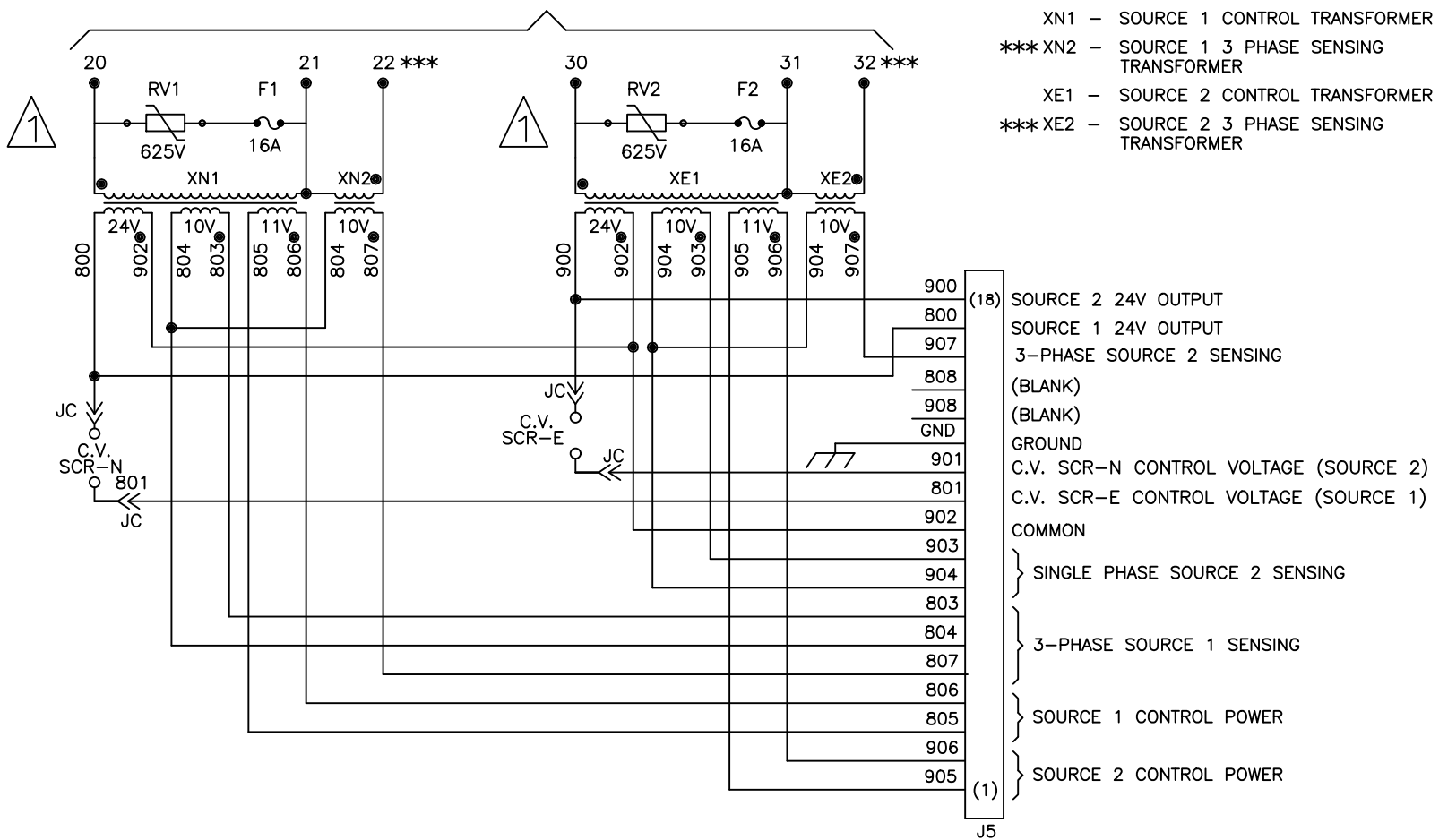
- DS - DISCONNECT SWITCH
- SE - SOURCE 2 POSITION LIMIT SWITCH
- SN - SOURCE 1 POSITION LIMIT SWITCH

LEGEND	REFERENCE	NOTES
<ul style="list-style-type: none"> ● WIRE CONNECTION ○ WIRE ON TERMINAL BLOCK ➤ WIRE IN INTERCONNECT PLUG * OPTIONAL 	LEGEND, OPERATION, AND ACCESSORIES: 71A-0900 FOR PRODUCTION ONLY: CPS AND PLUG-SHEET 2 MX250 CONTROLLER-71A-0500	ATS SHOWN IN SOURCE 1 POSITION WITH NO POWER AVAILABLE.

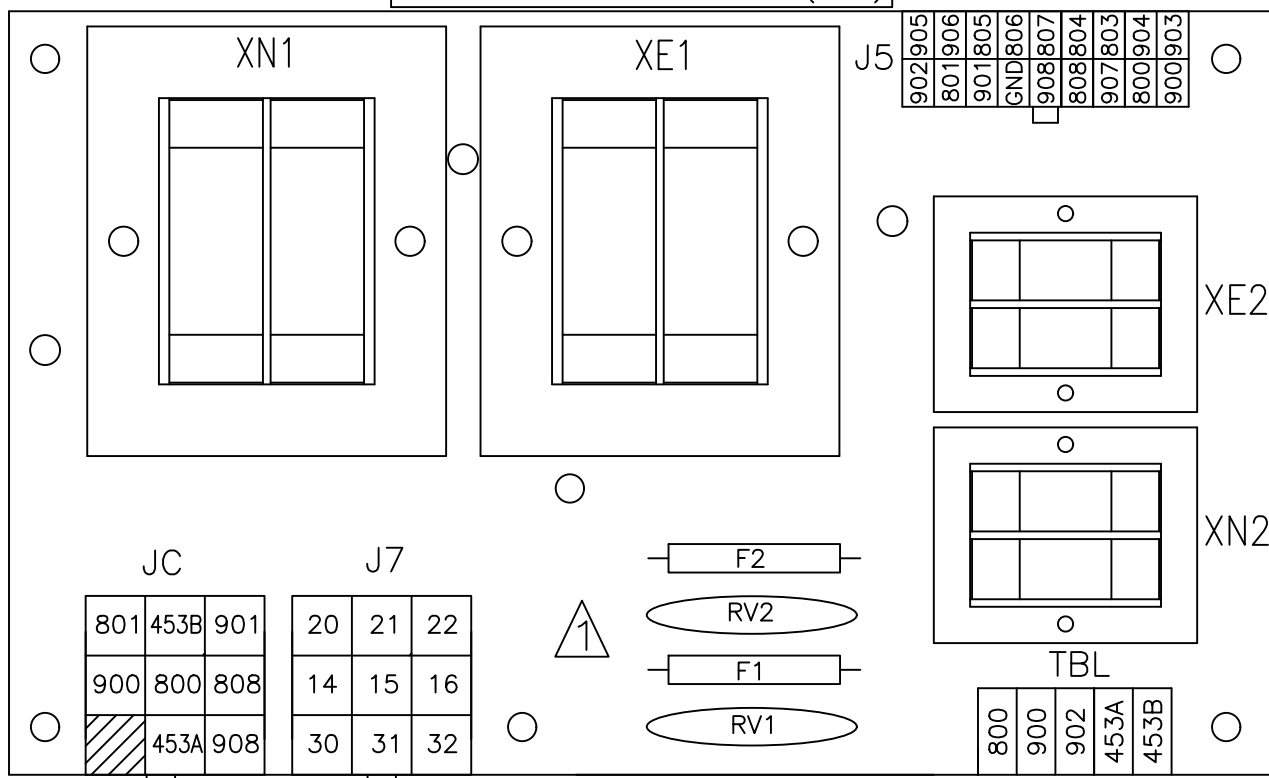
ABB PROPRIETARY AND CONFIDENTIAL INFORMATION <small>The information contained in the document has to be kept strictly confidential. Any unauthorized use, reproduction, distribution or disclosure to third parties is strictly forbidden. ABB reserves all rights regarding intellectual Property Rights. Copyright 2018 ABB. All rights reserved</small>	FOR ADDITIONAL INFO REFER TO APPLIED PRACTICES UNLESS OTHERWISE SPECIFIED DIMENSIONS ARE IN INCHES	SIGNATURES MODEL GG DATE 04/07/03	
	TOLERANCES ON: 2 PL. DECIMALS ± .020 3 PL. DECIMALS ± .005 ANGLES ± 1° FRACTIONS ± 1/64 FINISH ✓	CHECKED ENGRG FS MFG QUALITY ISSUED	
THIRD ANGLE PROJECTION 	DRAWING FILE: 71a-3001.dwg MODEL / ASSEMBLY FILE: ZTS(600-1200AMP) 2 POLE # CTQs	FIRST MADE FOR: ZTS(600-1200AMP) 2 POLE SIZE B CAGE CODE DWG NO 71A-3001	SCALE: NA SHEET 1 OF 2

CONTROLS POWER SUPPLY (CPS) SCHEMATIC

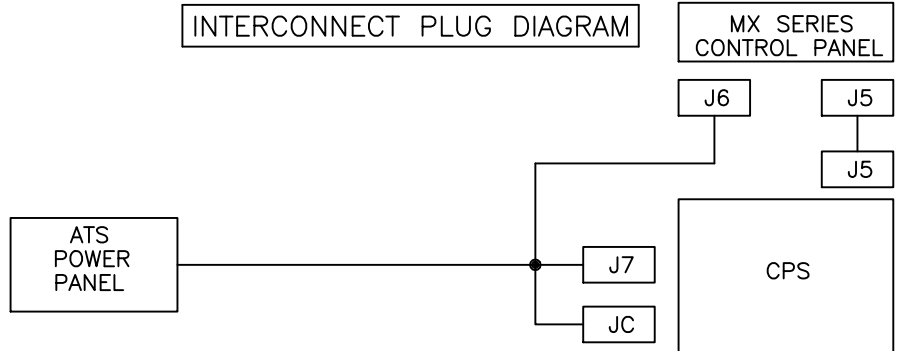
TO POWER CIRCUIT SCHEMATIC - SHEET 1



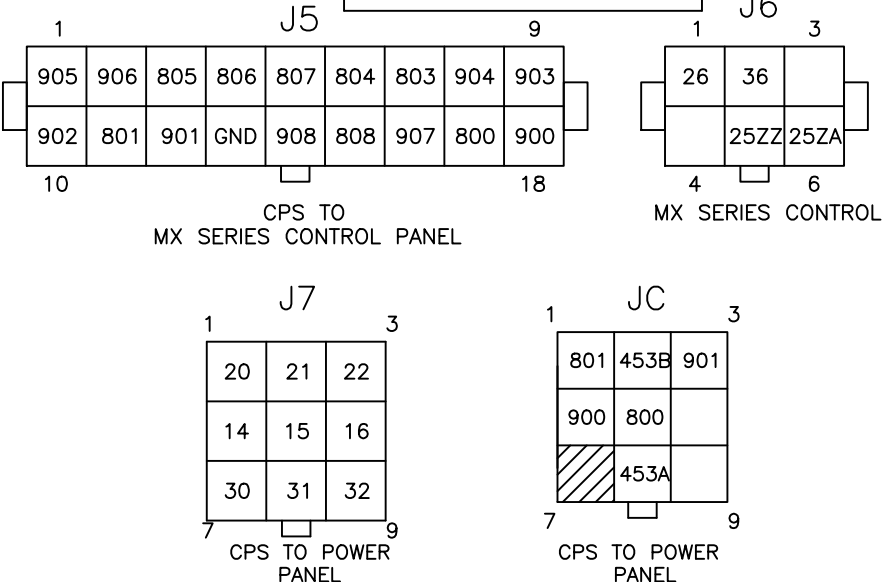
CONTROLS POWER SUPPLY (CPS)



INTERCONNECT PLUG DIAGRAM



INTERCONNECT PLUGS



LEGEND

- WIRE CONNECTION
- * OPTIONAL
- *** WIRE #22 & 32 REMAIN WIRED IN CPS WIRES #22, #32 ARE NOT CONNECTED ON ATs POWER PANEL.

ABB PROPRIETARY AND CONFIDENTIAL INFORMATION The information contained in the document has to be kept strictly confidential. Any unauthorized use, reproduction, distribution or disclosure to third parties is strictly forbidden. ABB reserves all rights regarding intellectual Property Rights. Copyright 2018 ABB. All rights reserved.	FOR ADDITIONAL INFO REFER TO APPLIED PRACTICES UNLESS OTHERWISE SPECIFIED DIMENSIONS ARE IN INCHES	SIGNATURES MODEL GG DETAIL CHECKED ENGRG FS MFG QUALITY ISSUED	DATE 04/07/03	
	TOLERANCES ON: 2 PL. DECIMALS ± .020 3 PL. DECIMALS ± .005 ANGLES ± 1° FRACTIONS ± 1/64 FINISH ✓	DRAWING FILE: 71a-3001.dwg MODEL / ASSEMBLY FILE: ZTS(600-1200AMP) 2 POLE # CTQs	FIRST MADE FOR: ZTS(600-1200AMP) 2 POLE SIZE B CAGE CODE DWG NO 71A-3001	
THIRD ANGLE PROJECTION	AutoCad Generated	CRITICAL TO QUALITY CHARACTERISTIC	SCALE: NA	SHEET 2 OF 2