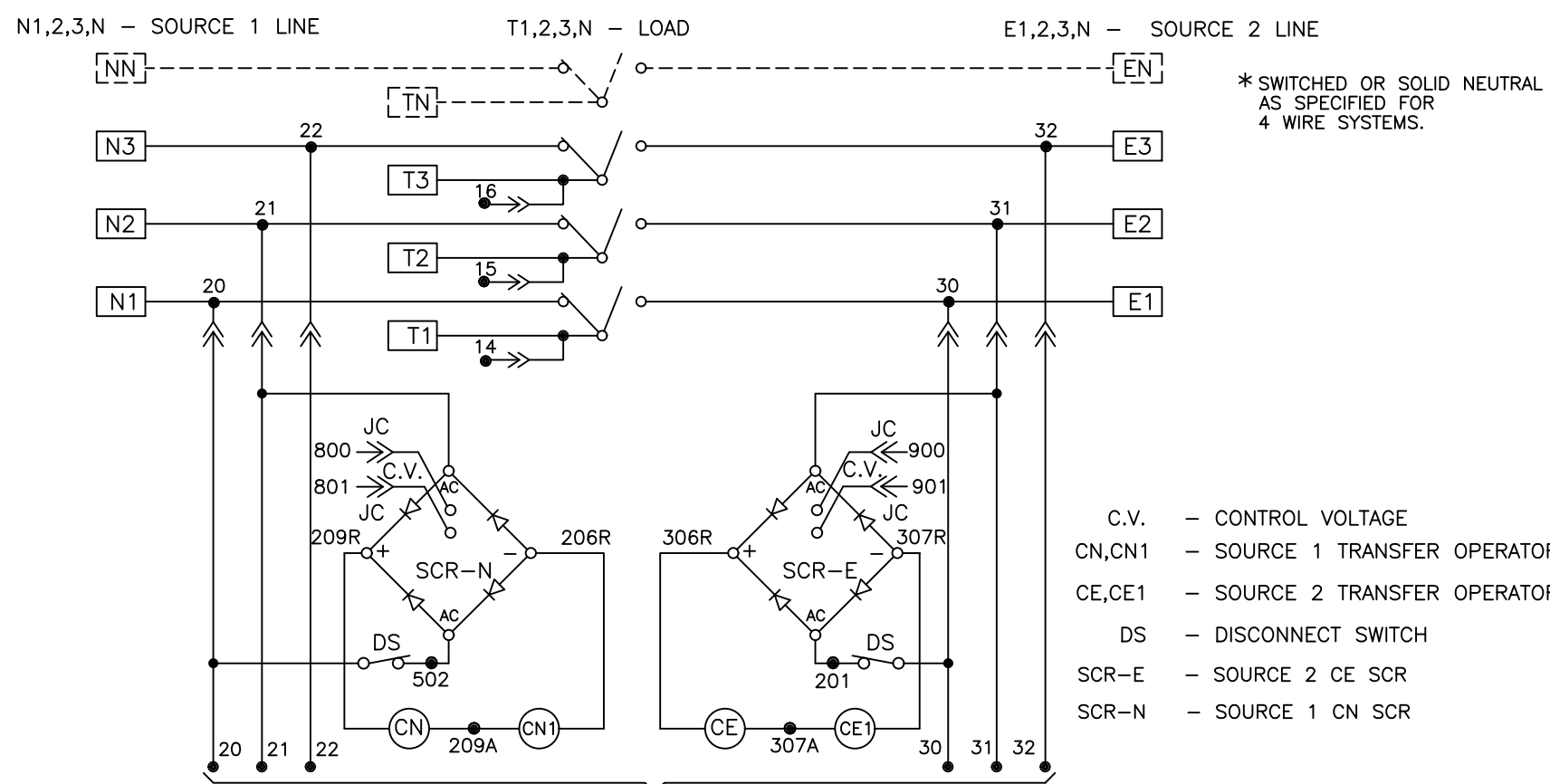


REVISIONS			
REV.	DESCRIPTION	DATE	APPROVED
4	C077003	09/23/19	AR MAS

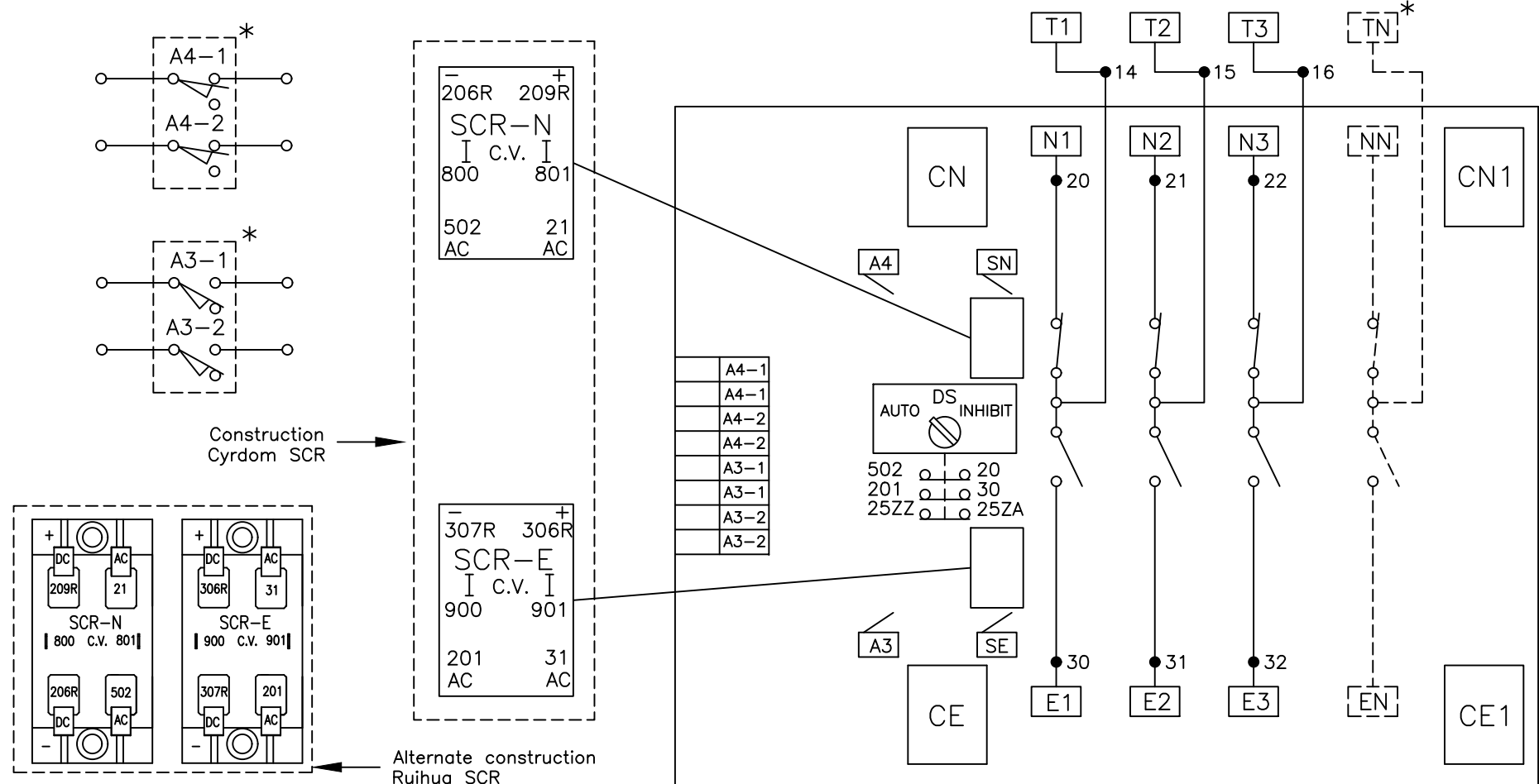
ATS POWER CIRCUIT SCHEMATIC



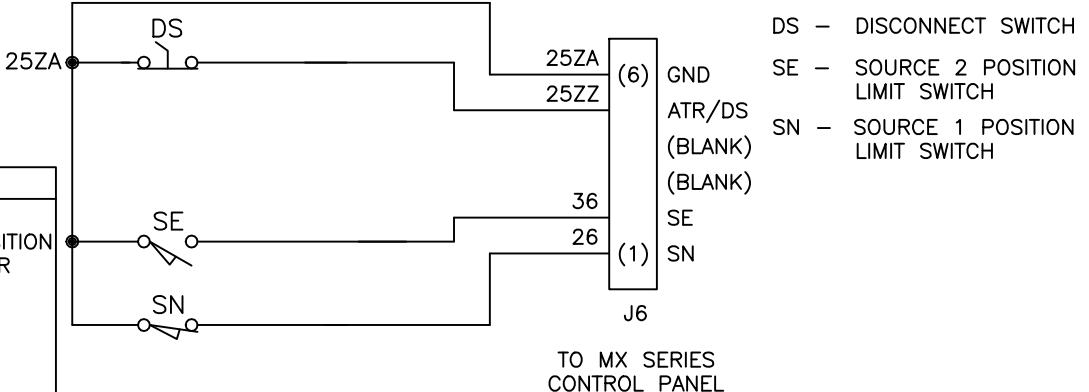
TO CONTROLS POWER SUPPLY (CPS) SCHEMATIC - SHEET 2

AUXILIARY CONTACTS

ATS POWER PANEL LAYOUT



LIMIT SWITCH SCHEMATIC



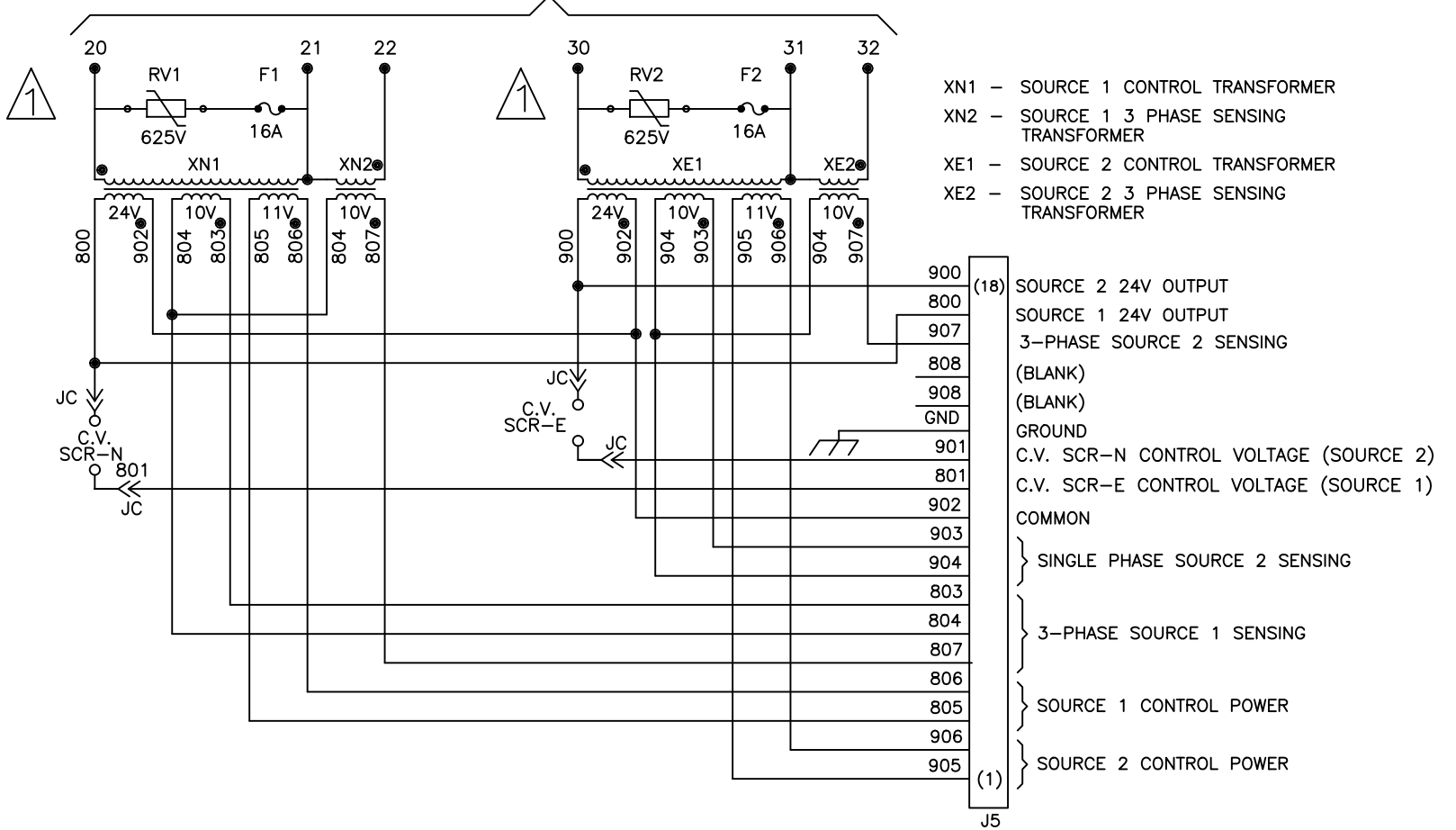
LEGEND	REFERENCE NOTES
<ul style="list-style-type: none"> <li>● WIRE CONNECTION</li> <li>○ WIRE ON TERMINAL BLOCK</li> <li>⇒ WIRE IN INTERCONNECT PLUG</li> <li>* OPTIONAL</li> </ul>	<p>LEGEND, OPERATION, AND ACCESSORIES: 71A-0900</p> <p>FOR PRODUCTION ONLY: CPS AND PLUG-SHEET 2</p> <p>MX250 CONTROLLER-71A-0500</p> <p>ATS SHOWN IN SOURCE 1 POSITION WITH NO POWER AVAILABLE.</p>

<p>ABB PROPRIETARY AND CONFIDENTIAL INFORMATION</p> <p>The information contained in this document has to be kept strictly confidential. Any unauthorized use, reproduction, distribution or disclosure to third parties is strictly forbidden.</p> <p>ABB reserves all rights regarding intellectual Property Rights. Copyright 2018 ABB. All rights reserved</p>	<p>FOR ADDITIONAL INFO REFER TO APPLIED PRACTICES UNLESS OTHERWISE SPECIFIED DIMENSIONS ARE IN INCHES</p> <p>TOLERANCES ON: 2 PL. DECIMALS ± .020 3 PL. DECIMALS ± .005 ANGLES ± 1° FRACTIONS ± 1/64</p> <p>FINISH ✓</p>	<p>SIGNATURES</p> <p>MODEL GG</p> <p>DATE 04/07/03</p> <p>CHECKED</p> <p>ENGRG FS</p> <p>MFG</p> <p>QUALITY</p> <p>ISSUED</p>	<p>TITLE</p> <p>ATS POWER CIRCUIT &amp; LAYOUT</p> <p>FIRST MADE FOR: ZTS(4000AMP)</p> <p>SIZE B CAGE CODE DWG NO</p> <p>71A-5000</p>
	<p>THIRD ANGLE PROJECTION</p>	<p>AutoCad Generated</p> <p># CTQs</p> <p>CRITICAL TO QUALITY CHARACTERISTIC</p>	<p>SCALE: NA</p>

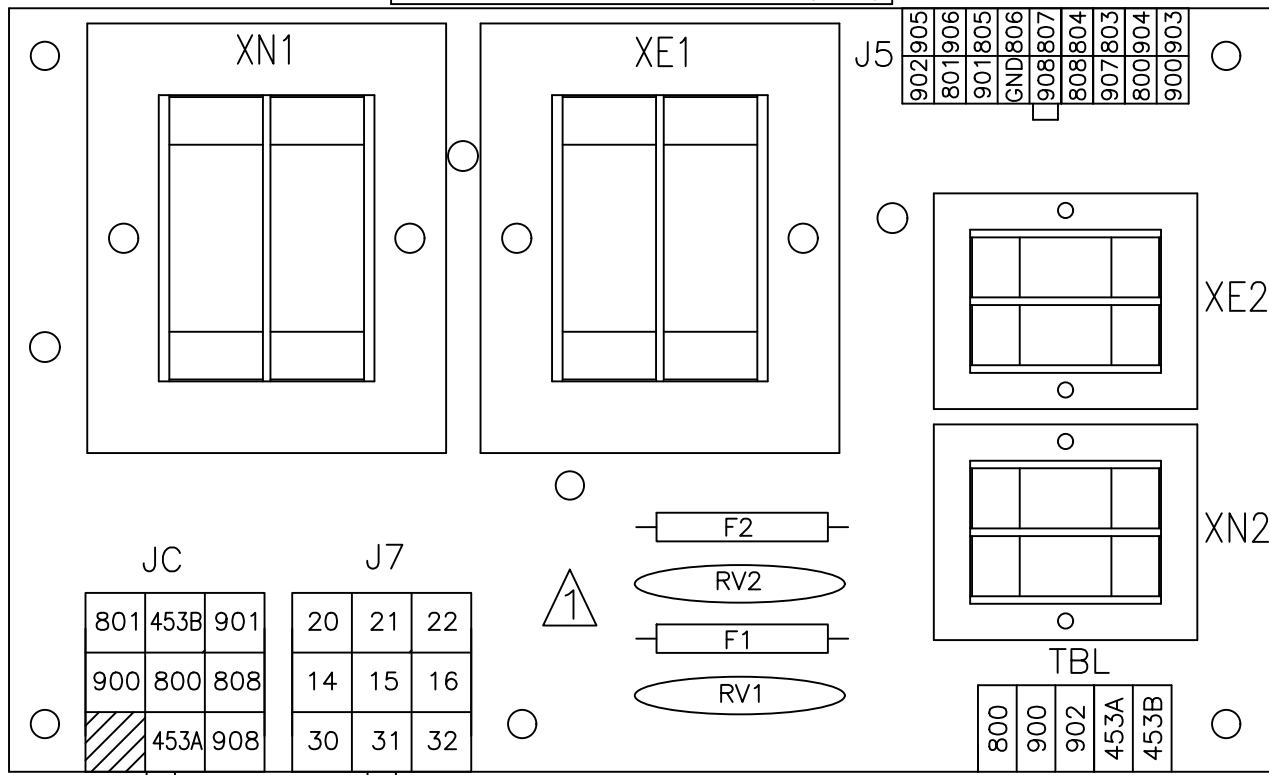


CONTROLS POWER SUPPLY (CPS) SCHEMATIC

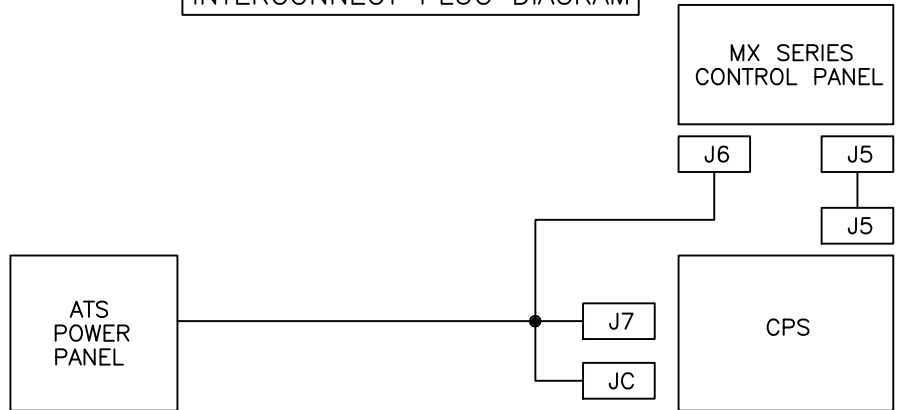
TO POWER CIRCUIT SCHEMATIC - SHEET 1



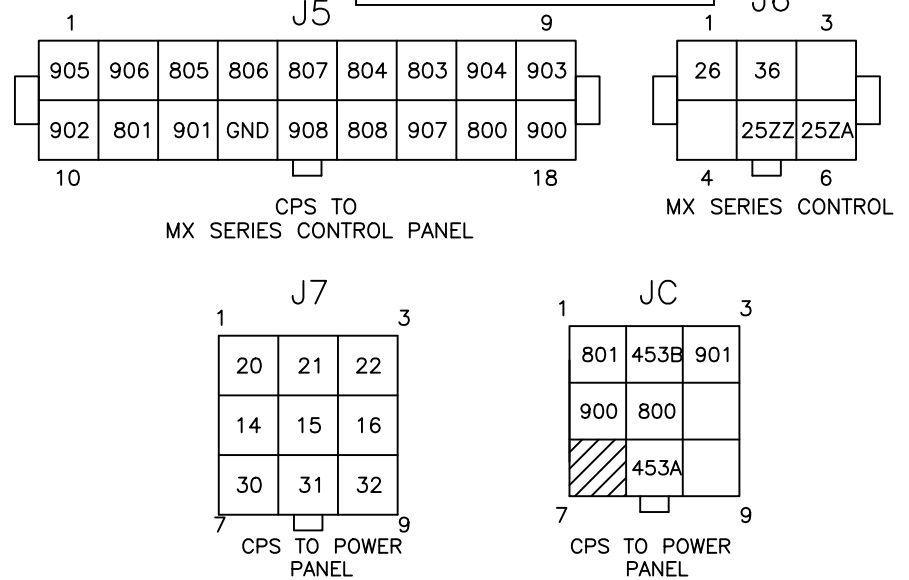
CONTROLS POWER SUPPLY (CPS)



INTERCONNECT PLUG DIAGRAM



INTERCONNECT PLUGS

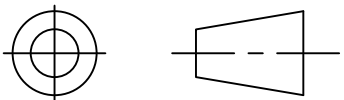


LEGEND

- WIRE CONNECTION
- \* OPTIONAL

ABB PROPRIETARY AND CONFIDENTIAL INFORMATION  
 The information contained in the document has to be kept strictly confidential.  
 Any unauthorized use, reproduction, distribution or disclosure to third parties is strictly forbidden.  
 ABB reserves all rights regarding intellectual Property Rights.  
 Copyright 2018 ABB. All rights reserved

THIRD ANGLE PROJECTION



FOR ADDITIONAL INFO REFER TO APPLIED PRACTICES	SIGNATURES	DATE
UNLESS OTHERWISE SPECIFIED DIMENSIONS ARE IN INCHES	MODEL GG	04/07/03
TOLERANCES ON:	DETAIL	
2 PL. DECIMALS ± .020	CHECKED	
3 PL. DECIMALS ± .005	ENGRG FS	
ANGLES ± 1°	MFG	
FRACTIONS ± 1/64	QUALITY	
FINISH	ISSUED	
✓	DRAWING FILE: 71a-5000.dwg	
AutoCad Generated	MODEL / ASSEMBLY FILE: ZTS(4000AMP)	
# CTQs	CRITICAL TO QUALITY CHARACTERISTIC	



TITLE  
 CONTROLS POWER SUPPLY(CPS)  
 & INTERCONNECT PLUGS

FIRST MADE FOR: ZTS(4000AMP)	SIZE B	CAGE CODE	DWG NO
			71A-5000
SCALE: NA	SHEET 2 OF 2		