

- #### LEGEND
- WIRE CONNECTION
 - WIRE ON TERMINAL BLOCK
 - WIRE IN INTERCONNECT PLUG
 - * OPTIONAL

- #### NOTES:
1. ATS SHOWN IN SOURCE 1 POSITION WITH NO POWER AVAILABLE.
 2. LEGEND, OPERATION, AND ACCESSORIES: 71A-0900D FOR PRODUCTION ONLY: CPS AND PLUG-SHEET 2
 3. INSIDE DOOR VIEW 71A-0500

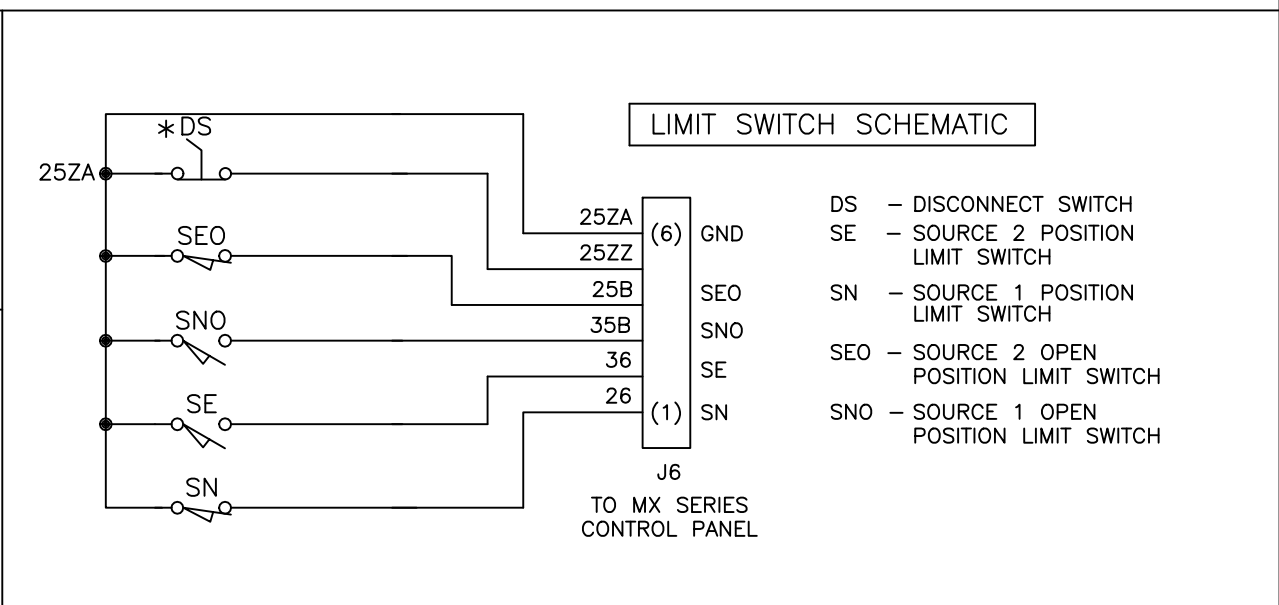
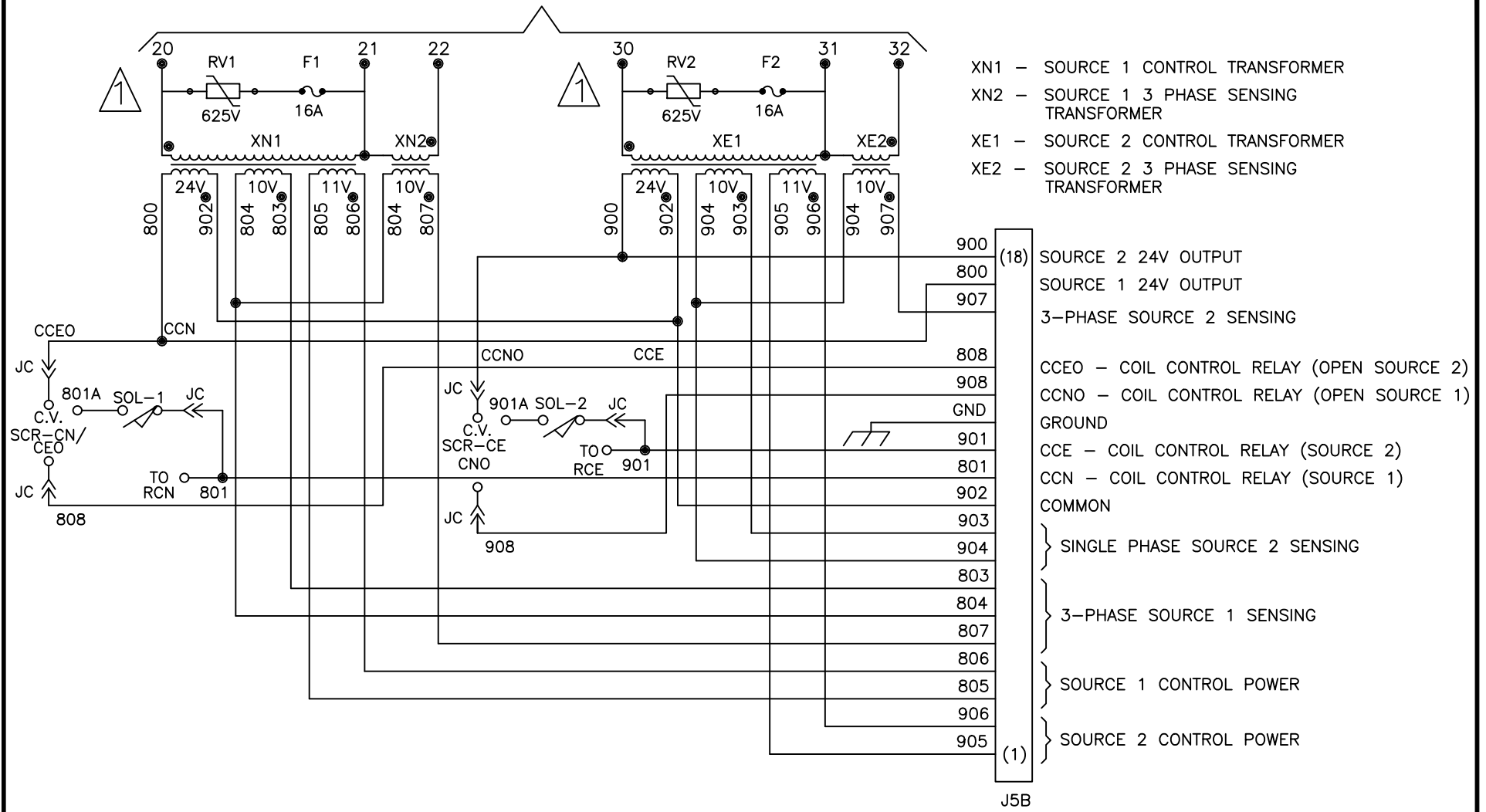


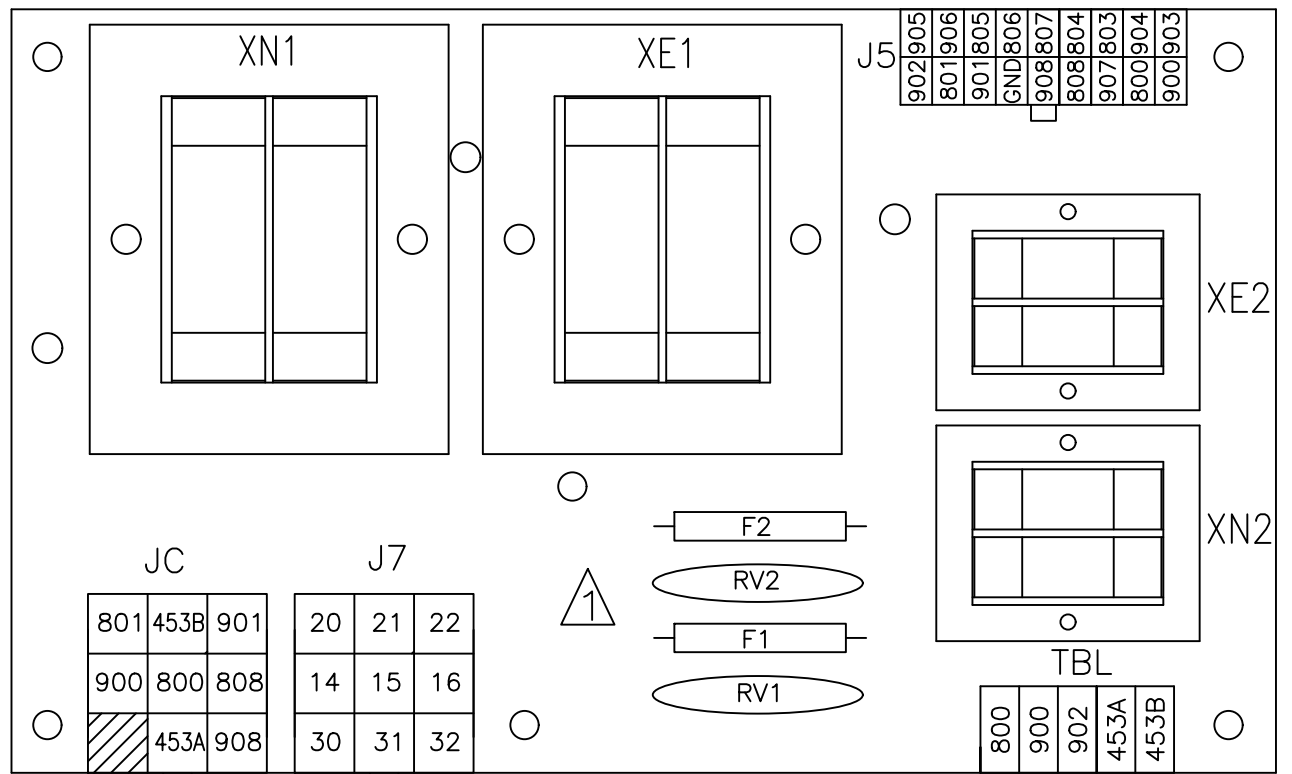
ABB PROPRIETARY AND CONFIDENTIAL INFORMATION <small>The information contained in the document has to be kept strictly confidential. Any unauthorized use, reproduction, distribution or disclosure to third parties is strictly forbidden. ABB reserves all rights regarding intellectual Property Rights. Copyright 2018 ABB. All rights reserved</small>	FOR ADDITIONAL INFO REFER TO APPLIED PRACTICES UNLESS OTHERWISE SPECIFIED DIMENSIONS ARE IN INCHES	SIGNATURES MODEL GG DATE 04/09/03	<h2 style="margin: 0;">ATS POWER CIRCUIT & LAYOUT</h2>
	TOLERANCES ON: 2 PL. DECIMALS ± .020 3 PL. DECIMALS ± .005 ANGLES ± 1° FRACTIONS ± 1/64 FINISH ✓	CHECKED ENGRG FS MFG QUALITY ISSUED	
THIRD ANGLE PROJECTION 	AutoCad Generated	# CTQs CRITICAL TO QUALITY CHARACTERISTIC	SCALE: SHEET 1 of 3

CONTROLS POWER SUPPLY (CPS) SCHEMATIC

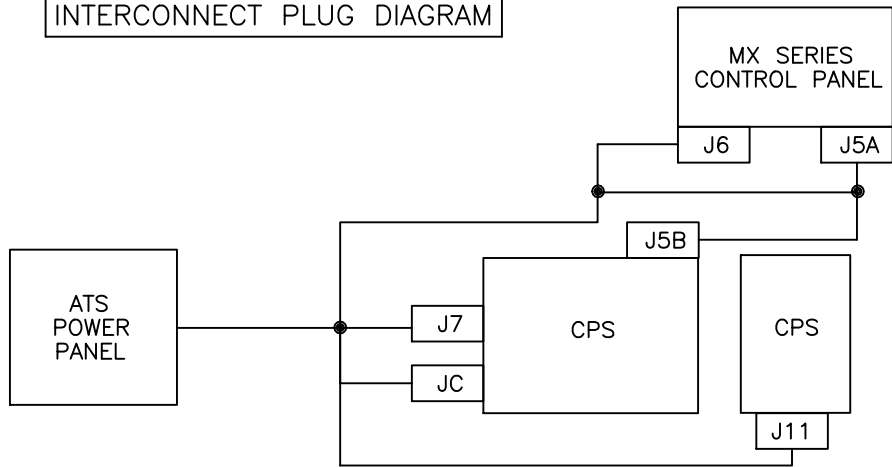
TO POWER CIRCUIT SCHEMATIC - SHEET 1



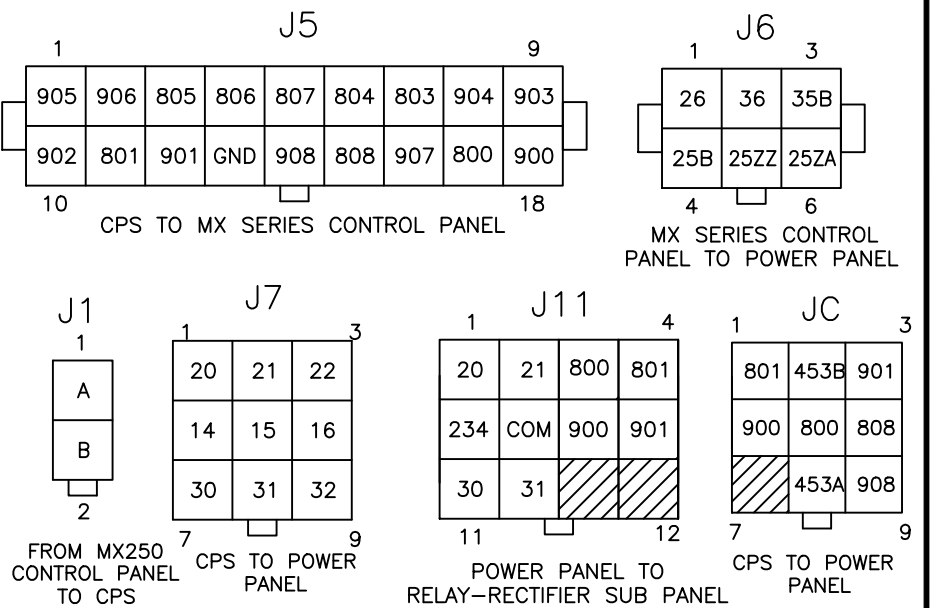
CONTROLS POWER SUPPLY (CPS)



INTERCONNECT PLUG DIAGRAM



INTERCONNECT PLUGS

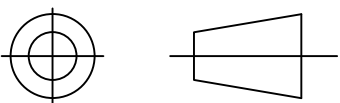


LEGEND

- WIRE CONNECTION
- * OPTIONAL

ABB PROPRIETARY AND CONFIDENTIAL INFORMATION
 The information contained in the document has to be kept strictly confidential.
 Any unauthorized use, reproduction, distribution or disclosure to third parties is strictly forbidden.
 ABB reserves all rights regarding intellectual Property Rights.
 Copyright 2018 ABB. All rights reserved

THIRD ANGLE PROJECTION



FOR ADDITIONAL INFO REFER TO APPLIED PRACTICES UNLESS OTHERWISE SPECIFIED DIMENSIONS ARE IN INCHES

TOLERANCES ON:
 2 PL. DECIMALS ± .020
 3 PL. DECIMALS ± .005
 ANGLES ± 1°
 FRACTIONS ± 1/64

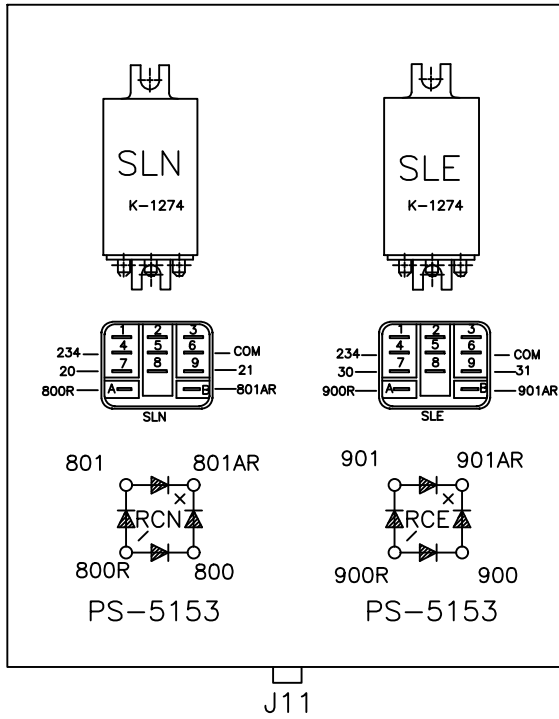
FINISH ✓

SIGNATURES		DATE
MODEL	GG	04/09/03
DETAIL		
CHECKED		
ENGRG	VZ	
MFG		
QUALITY		
ISSUED		
DRAWING FILE:	72a-1000.dwg	
MODEL / ASSEMBLY FILE:	ZTSD2 (40-400 AMP)	
# CTQs	CRITICAL TO QUALITY CHARACTERISTIC	

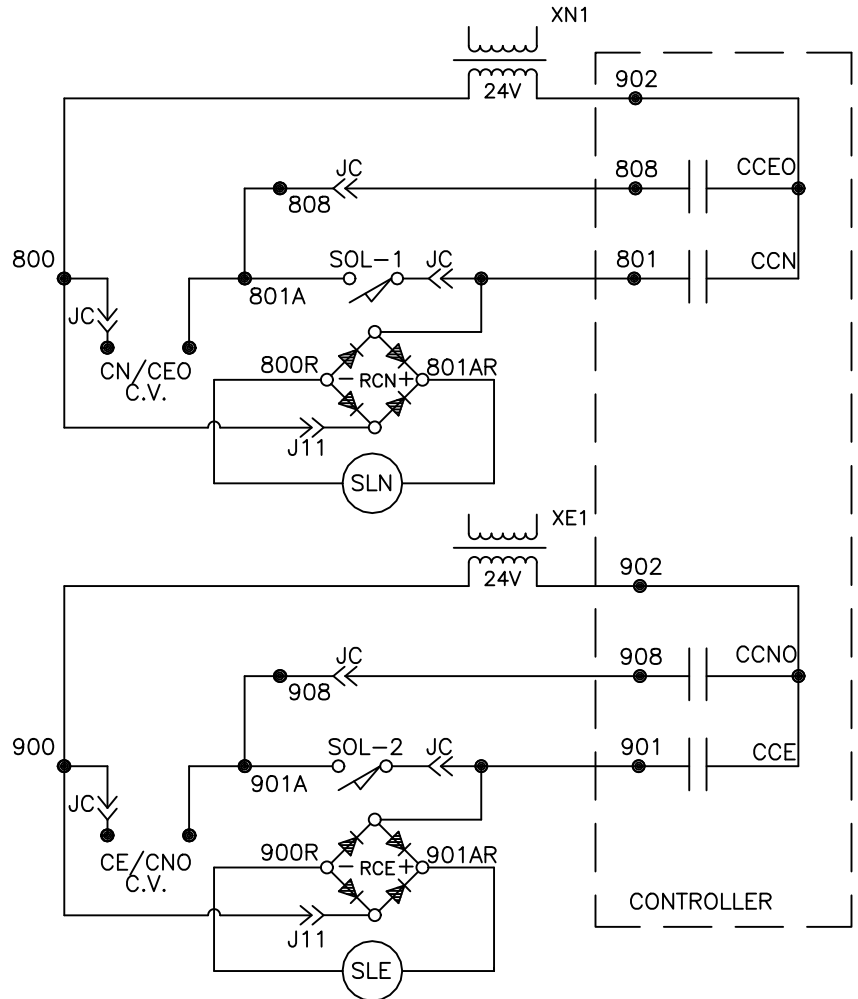
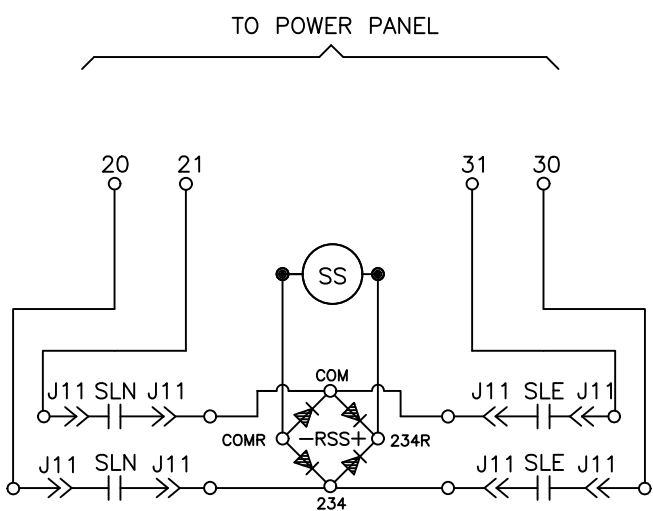
ABB		
TITLE CONTROLS POWER SUPPLY (CPS) & INTERCONNECT PLUGS		
FIRST MADE FOR: ZTSD(2/3/4)(40-400AMP)		
SIZE	CAGE CODE	DWG NO
B		72A-1000
SCALE:	SHEET 2 of 3	

AutoCad Generated

RELAY RECTIFIER SUB PANEL



DELAY CONTROL CIRCUIT SCHEMATIC



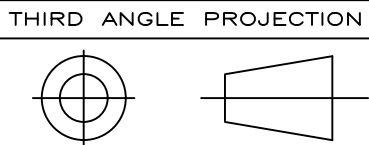
LIMIT SWITCH CHART

X = ACTUATED	ATS LOCATION		
	SOURCE 1	MID POSITION OPEN	SOURCE 2
SN	X		
SNO		X	X
SEO	X	X	
SE			X
SOL1		X (MOMENTARY)	
SOL2		X (MOMENTARY)	

LEGEND

- WIRE CONNECTION
- ⇒ WIRE IN INTERCONNECT PLUG
- * OPTIONAL

ABB PROPRIETARY AND CONFIDENTIAL INFORMATION
 The information contained in this document has to be kept strictly confidential.
 Any unauthorized use, reproduction, distribution or disclosure to third parties is strictly forbidden.
 ABB reserves all rights regarding intellectual Property Rights.
 Copyright 2018 ABB. All rights reserved



FOR ADDITIONAL INFO REFER TO	SIGNATURES	DATE
APPLIED PRACTICES	MODEL GG	04/09/03
UNLESS OTHERWISE SPECIFIED DIMENSIONS ARE IN INCHES	DETAIL	
TOLERANCES ON:	CHECKED	
2 PL. DECIMALS ± .020	ENGRG VZ	
3 PL. DECIMALS ± .005	MFG	
ANGLES ± 1°	QUALITY	
FRACTIONS ± 1/64	ISSUED	
FINISH	DRAWING FILE: 72a-1000.dwg	SIZE B
	MODEL / ASSEMBLY FILE: ZTSD2 (40-400 AMP)	CAGE CODE
AutoCad Generated	# CTQs	DWG NO
	⊖ CRITICAL TO QUALITY CHARACTERISTIC	72A-1000



MX BOARD & SUB PANEL

FIRST MADE FOR: ZTSDL (2/3/4) 4-40 (40-400 AMP)

SCALE: