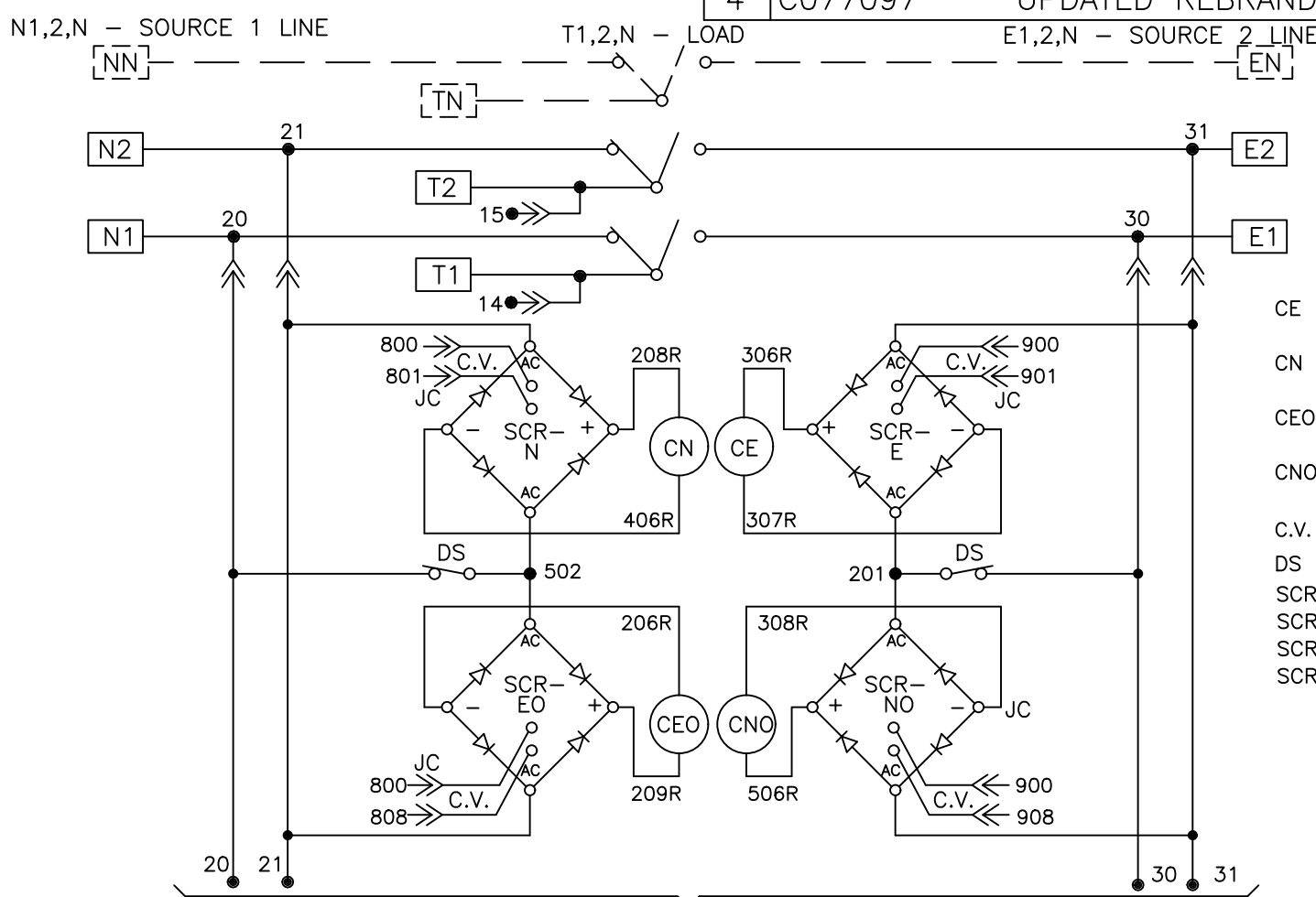


REVISIONS			
REV.	DESCRIPTION	DATE	APPROVED
4	C077097	09/24/19	AR MAS

ATS POWER CIRCUIT SCHEMATIC

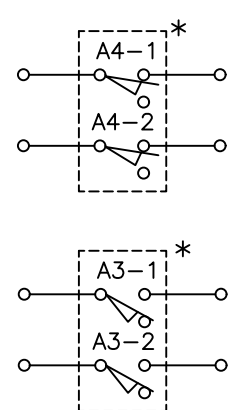


- \* SWITCHED OR SOLID NEUTRAL AS SPECIFIED FOR 3 WIRE SYSTEMS.
- CE - CLOSE INTO SOURCE 2, TRANSFER OPERATOR
- CN - CLOSE INTO SOURCE 1, TRANSFER OPERATOR
- CEO - OPEN FROM SOURCE 2, TRANSFER OPERATOR
- CNO - OPEN FROM SOURCE 1, TRANSFER OPERATOR
- C.V. - CONTROL VOLTAGE
- DS - DISCONNECT SWITCH
- SCR-E - CE SCR
- SCR-N - CN SCR
- SCR-EO - CEO SCR
- SCR-NO - CNO SCR

TO CONTROLS POWER SUPPLY (CPS) - SHEET 2

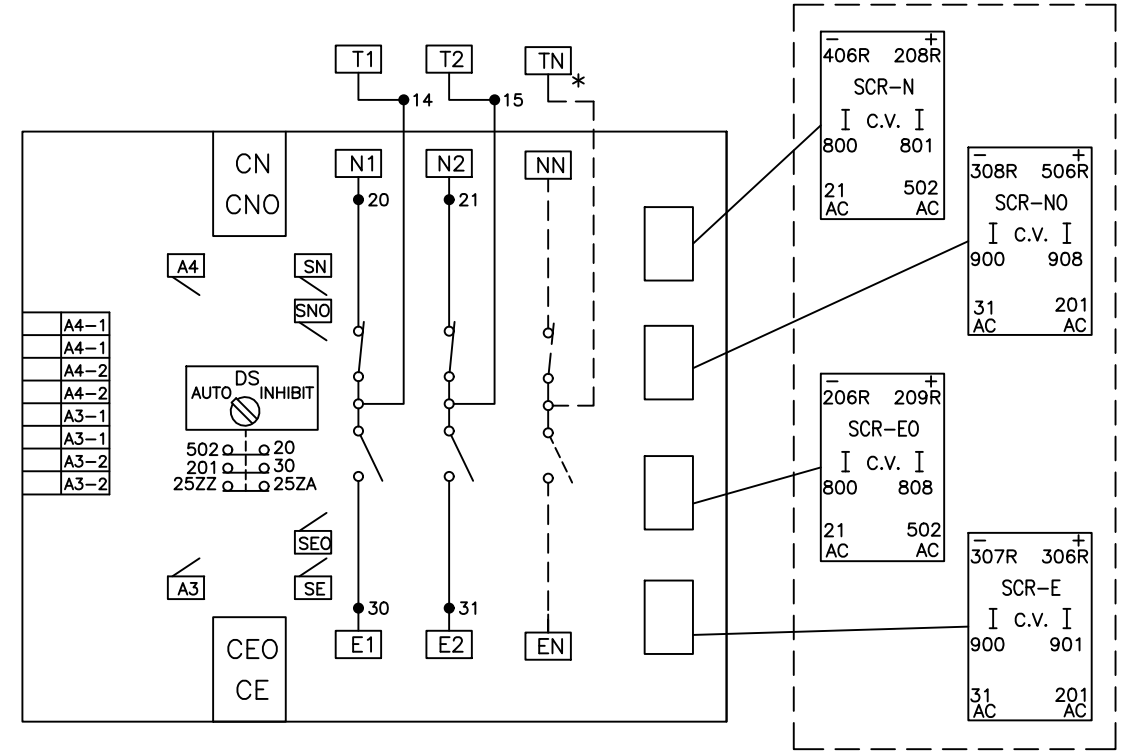
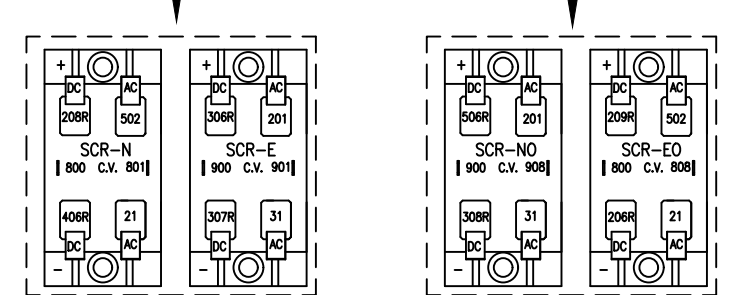
ATS POWER PANEL LAYOUT

AUXILIARY CONTACTS



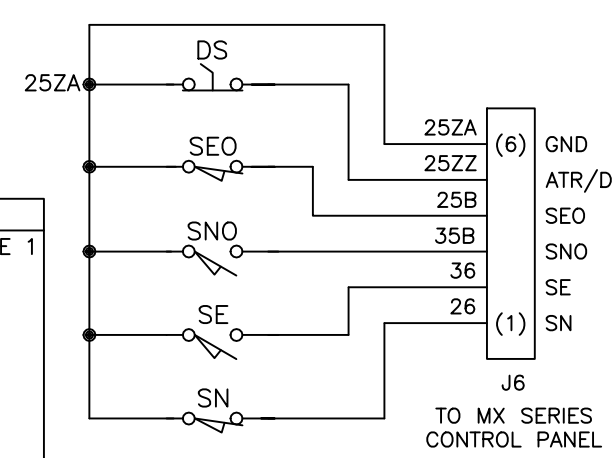
Alternate construction Ruihua SCR

Alternate construction Ruihua SCR



Construction Cyrdom SCR

LIMIT SWITCH SCHEMATIC



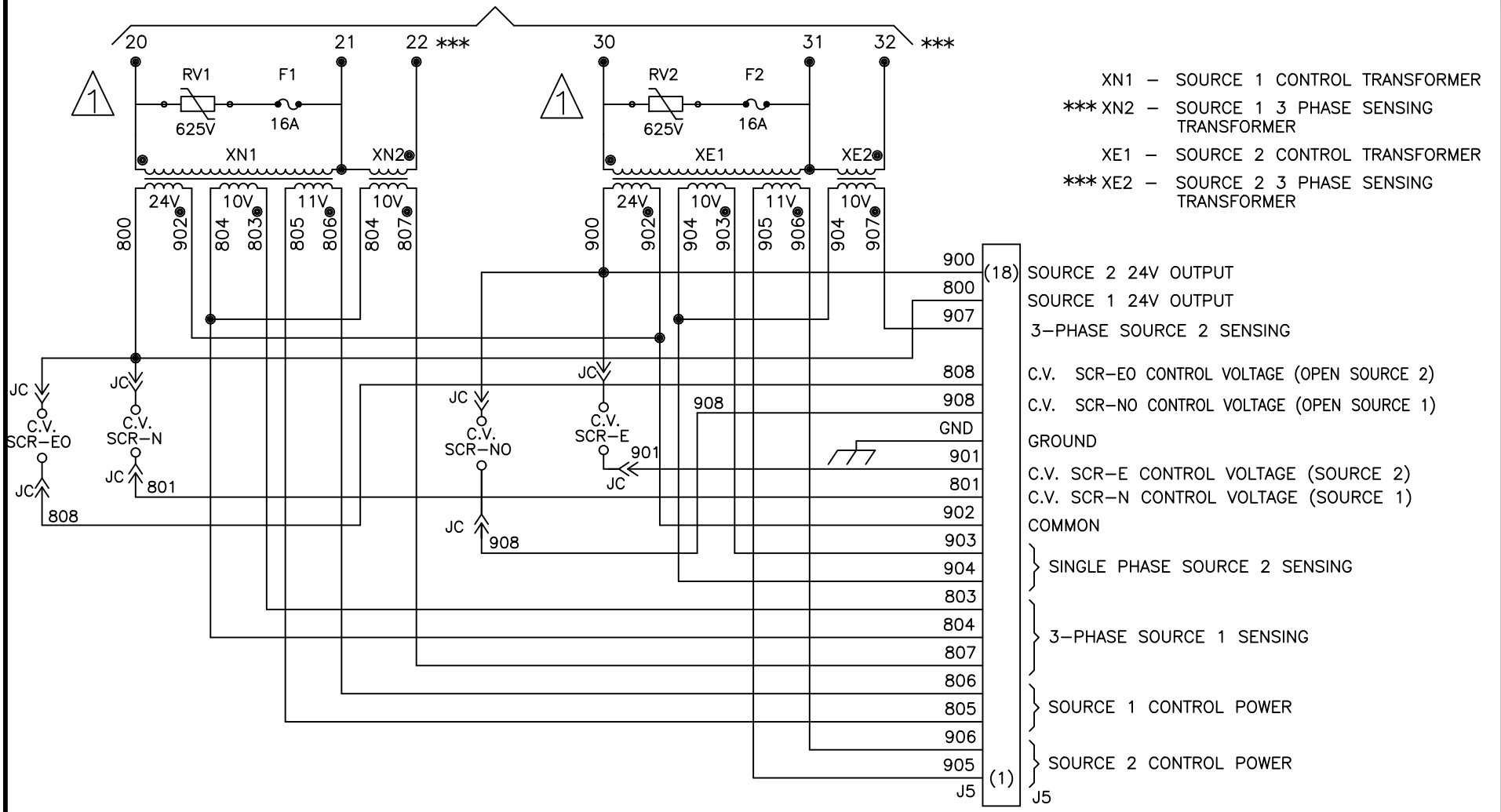
- DS - DISCONNECT SWITCH
- SEO - SOURCE 2 OPEN POSITION LIMIT SWITCH
- SNO - SOURCE 1 OPEN POSITION LIMIT SWITCH
- SE - SOURCE 2 POSITION LIMIT SWITCH
- SN - SOURCE 1 POSITION LIMIT SWITCH

LEGEND	REFERENCE	NOTES
● WIRE CONNECTION	LEGEND, OPERATION, AND ACCESSORIES: 71A-0900D FOR PRODUCTION ONLY: CPS AND PLUG-SHEET 2 MX250 CONTROLLER-71A-0500	ATS SHOWN IN SOURCE 1 POSITION WITH NO POWER AVAILABLE.
○ WIRE ON TERMINAL BLOCK		
⇒ WIRE IN INTERCONNECT PLUG		
* OPTIONAL		

<p>ABB PROPRIETARY AND CONFIDENTIAL INFORMATION</p> <p>The information contained in this document has to be kept strictly confidential.</p> <p>Any unauthorized use, reproduction, distribution or disclosure to third parties is strictly forbidden.</p> <p>ABB reserves all rights regarding intellectual Property Rights. Copyright 2018 ABB. All rights reserved</p>	<p>FOR ADDITIONAL INFO REFER TO APPLIED PRACTICES UNLESS OTHERWISE SPECIFIED DIMENSIONS ARE IN INCHES</p> <p>TOLERANCES ON: 2 PL. DECIMALS ± .020 3 PL. DECIMALS ± .005 ANGLES ± 1° FRACTIONS ± 1/64</p> <p>FINISH ✓</p>	<p>SIGNATURES</p> <p>MODEL GG</p> <p>CHECKED</p> <p>ENGRG FS</p> <p>MFG</p> <p>QUALITY</p> <p>ISSUED</p>	<p>DATE</p> <p>04/15/03</p>	<p><b>ABB</b></p> <p>TITLE</p> <p>ATS POWER CIRCUIT &amp; LAYOUT</p> <p>FIRST MADE FOR: ZTSD(600-3000 AMP) 2 POLE</p> <p>SIZE B</p> <p>CAGE CODE</p> <p>DWG NO 72A-2001</p> <p>SCALE: NA</p> <p>SHEET 1 OF 2</p>
	<p>THIRD ANGLE PROJECTION</p>	<p>DRAWING FILE: 72a-2001.dwg</p> <p>MODEL / ASSEMBLY FILE:</p>	<p>TO MX SERIES CONTROL PANEL</p>	
	<p>AutoCad Generated</p>	<p># CTQs</p> <p>CRITICAL TO QUALITY CHARACTERISTIC</p>	<p>J6</p>	

CONTROLS POWER SUPPLY (CPS) SCHEMATIC

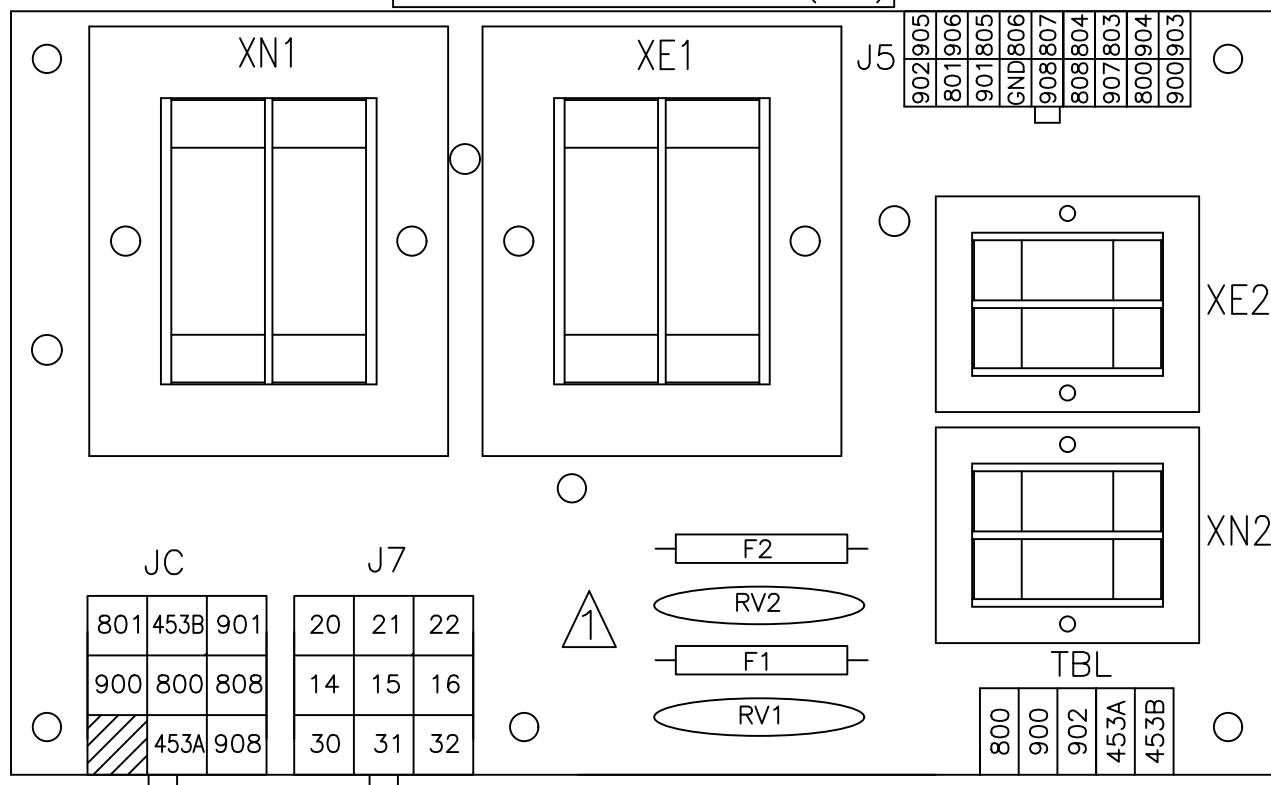
TO POWER CIRCUIT SCHEMATIC - SHEET 1



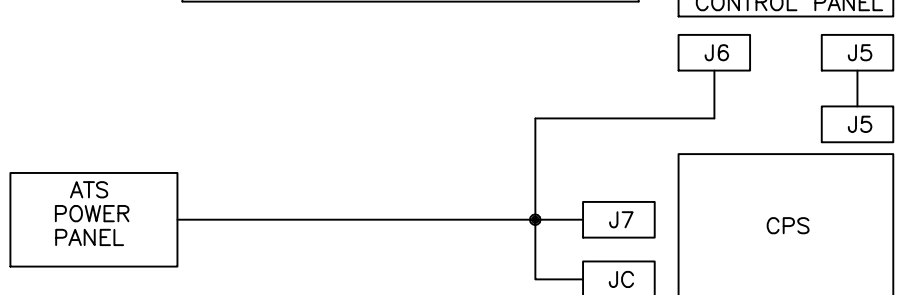
- XN1 - SOURCE 1 CONTROL TRANSFORMER
- \*\*\* XN2 - SOURCE 1 3 PHASE SENSING TRANSFORMER
- XE1 - SOURCE 2 CONTROL TRANSFORMER
- \*\*\* XE2 - SOURCE 2 3 PHASE SENSING TRANSFORMER

- 900 (18) SOURCE 2 24V OUTPUT
- 800 SOURCE 1 24V OUTPUT
- 907 3-PHASE SOURCE 2 SENSING
- 808 C.V. SCR-E0 CONTROL VOLTAGE (OPEN SOURCE 2)
- 908 C.V. SCR-NO CONTROL VOLTAGE (OPEN SOURCE 1)
- GND GROUND
- 901 C.V. SCR-E CONTROL VOLTAGE (SOURCE 2)
- 801 C.V. SCR-N CONTROL VOLTAGE (SOURCE 1)
- 902 COMMON
- 903 } SINGLE PHASE SOURCE 2 SENSING
- 904 } 3-PHASE SOURCE 1 SENSING
- 803 } 3-PHASE SOURCE 1 SENSING
- 804 } 3-PHASE SOURCE 1 SENSING
- 807 } 3-PHASE SOURCE 1 SENSING
- 806 } SOURCE 1 CONTROL POWER
- 805 } SOURCE 1 CONTROL POWER
- 906 } SOURCE 1 CONTROL POWER
- 905 (1) SOURCE 2 CONTROL POWER
- 906 SOURCE 2 CONTROL POWER
- 905 SOURCE 2 CONTROL POWER
- J5 (1) J5

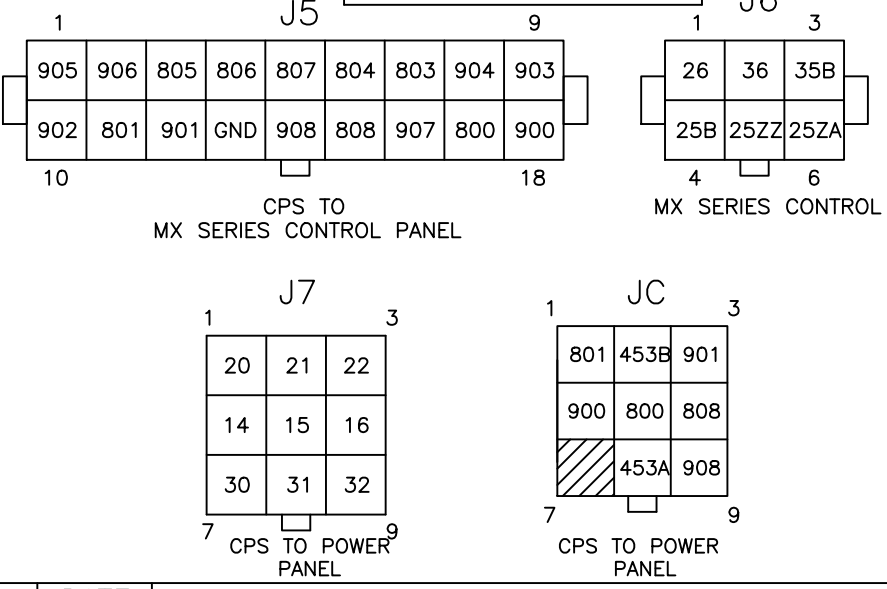
CONTROLS POWER SUPPLY (CPS)



INTERCONNECT PLUG DIAGRAM



INTERCONNECT PLUGS



**LEGEND**

- WIRE CONNECTION
- \* OPTIONAL
- \*\*\* WIRE #22 & 32 REMAIN WIRED IN CPS WIRES #22, #32 ARE NOT CONNECTED ON ATs POWER PANEL.

ABB PROPRIETARY AND CONFIDENTIAL INFORMATION The information contained in the document has to be kept strictly confidential. Any unauthorized use, reproduction, distribution or disclosure to third parties is strictly forbidden. ABB reserves all rights regarding intellectual Property Rights. Copyright 2018 ABB. All rights reserved	FOR ADDITIONAL INFO REFER TO APPLIED PRACTICES UNLESS OTHERWISE SPECIFIED DIMENSIONS ARE IN INCHES	SIGNATURES MODEL GG DATE 04/07/03	<b>ABB</b> TITLE CONTROLS POWER SUPPLY(CPS) & INTERCONNECT PLUGS FIRST MADE FOR: ZTSD(600-300AMP) 2 POLE SIZE B CAGE CODE DWG NO 72A-2001
	TOLERANCES ON: 2 PL. DECIMALS ± .020 3 PL. DECIMALS ± .005 ANGLES ± 1° FRACTIONS ± 1/64 FINISH ✓	CHECKED ENGRG FS MFG QUALITY ISSUED	
THIRD ANGLE PROJECTION	AutoCad Generated	SCALE: NA	SHEET 2 OF 2