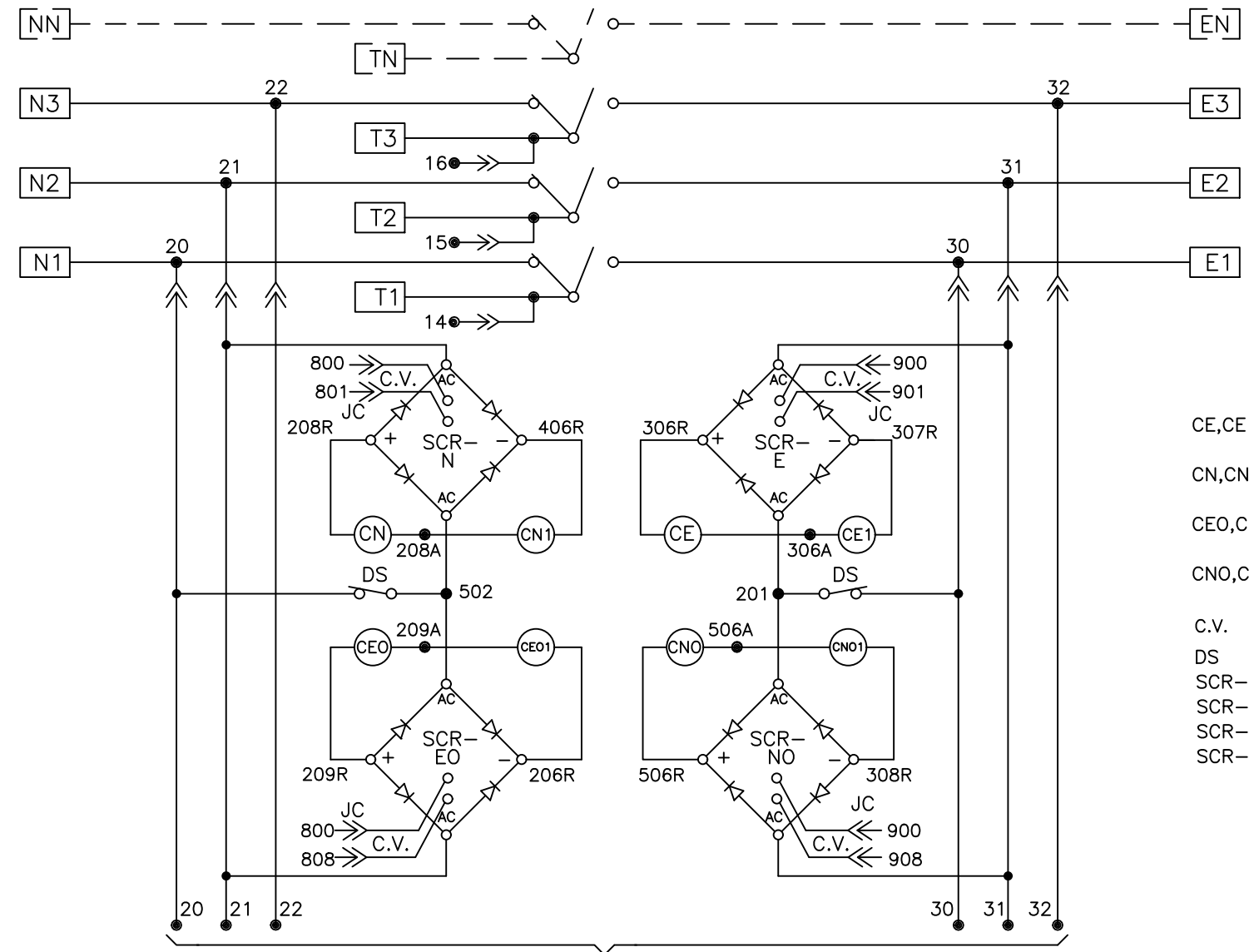


REVISIONS			
REV.	DESCRIPTION	DATE	APPROVED
4	C077003	09/23/19	AR MAS

ATS POWER CIRCUIT SCHEMATIC

N1,2,3,N - SOURCE 1 LINE T1,2,3,N - LOAD E1,2,3,N - SOURCE 2 LINE



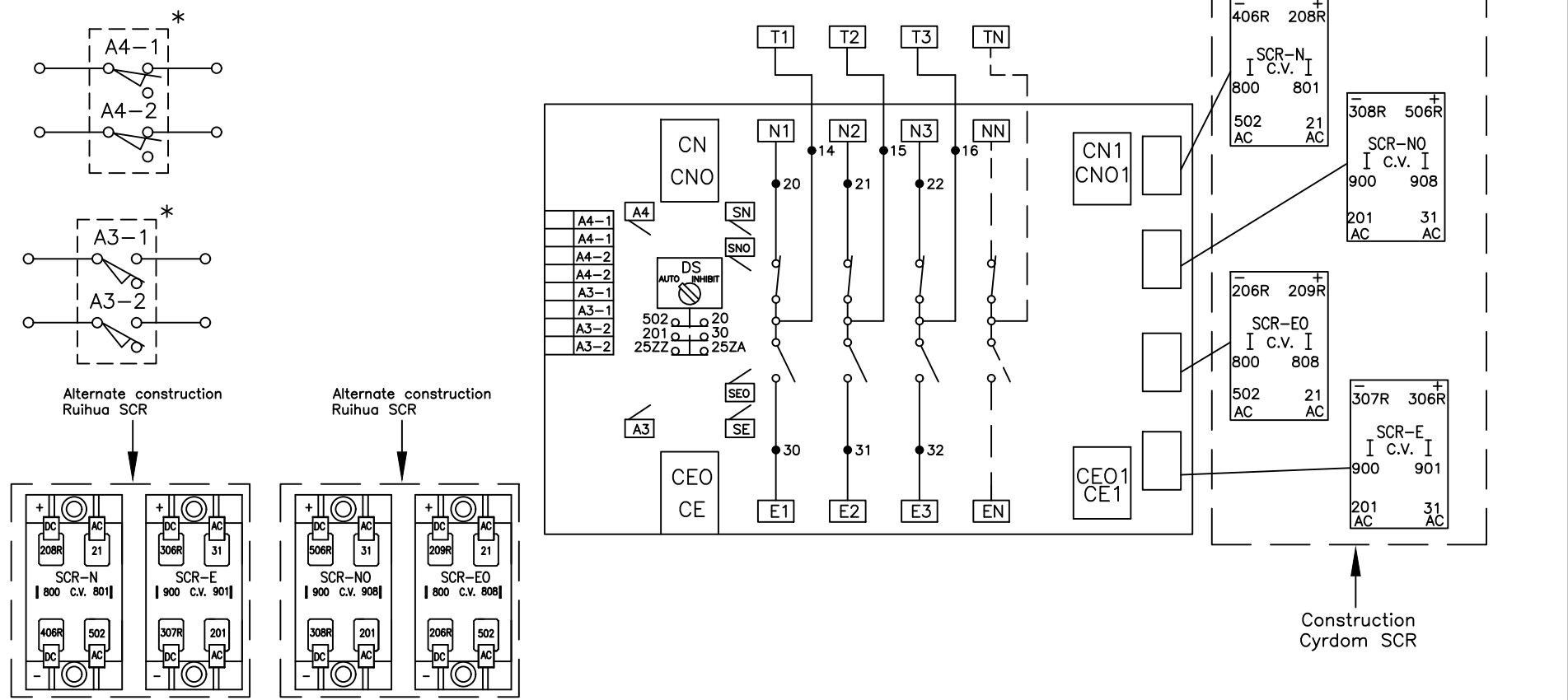
* SWITCHED OR SOLID NEUTRAL AS SPECIFIED FOR 4 WIRE SYSTEMS.

- CE,CE1 - CLOSE INTO SOURCE 2, TRANSFER OPERATOR
- CN,CN1 - CLOSE INTO SOURCE 1, TRANSFER OPERATOR
- CEO,CEO1 - OPEN FROM SOURCE 2, TRANSFER OPERATOR
- CNO,CNO1 - OPEN FROM SOURCE 1, TRANSFER OPERATOR
- C.V. - CONTROL VOLTAGE
- DS - DISCONNECT SWITCH
- SCR-E - CE,CE1 SCR
- SCR-N - CN,CN1 SCR
- SCR-EO - CEO,CEO1 SCR
- SCR-NO - CNO,CNO1 SCR

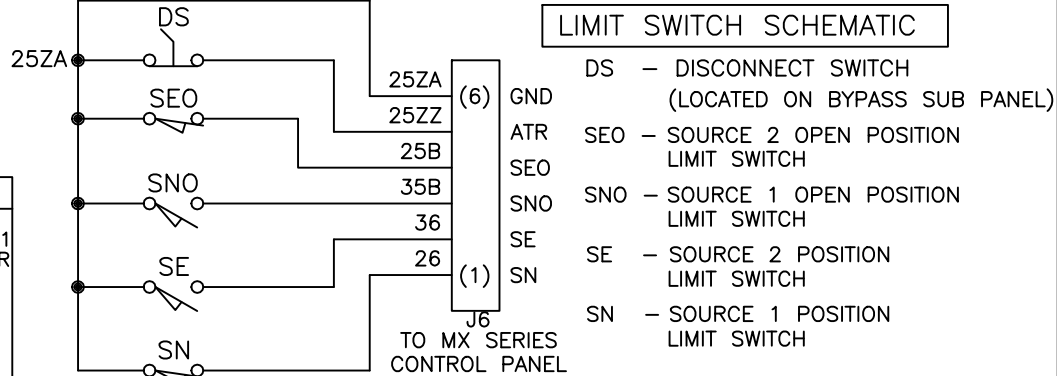
TO CONTROLS POWER SUPPLY (CPS) - SHEET 2

AUXILIARY CONTACTS

ATS POWER PANEL LAYOUT



LIMIT SWITCH SCHEMATIC



LEGEND	REFERENCE	NOTES
● WIRE CONNECTION	LEGEND, OPERATION, AND ACCESSORIES: 71A-0900D FOR PRODUCTION ONLY: CPS AND PLUG-SHEET 2 MX250 CONTROLLER-71A-0500	ATS SHOWN IN SOURCE 1 POSITION WITH NO POWER AVAILABLE.
○ WIRE ON TERMINAL BLOCK		
➤ WIRE IN INTERCONNECT PLUG		
* OPTIONAL		

ABB PROPRIETARY AND CONFIDENTIAL INFORMATION

The information contained in the document has to be kept strictly confidential. Any unauthorized use, reproduction, distribution or disclosure to third parties is strictly forbidden. ABB reserves all rights regarding intellectual Property Rights. Copyright 2018 ABB. All rights reserved.

THIRD ANGLE PROJECTION

FOR ADDITIONAL INFO REFER TO	SIGNATURES	DATE
APPLIED PRACTICES	MODEL GG	04/21/03
UNLESS OTHERWISE SPECIFIED DIMENSIONS ARE IN INCHES	DETAIL	
TOLERANCES ON:	CHECKED	
2 PL. DECIMALS ± .020	ENGRG FS	
3 PL. DECIMALS ± .005	MFG	
ANGLES ± 1°	QUALITY	
FRACTIONS ± 1/64	ISSUED	
FINISH	DRAWING FILE: 72a-3000.dwg	SIZE B
	MODEL / ASSEMBLY FILE: ZTSD(4000AMP)	CAGE CODE
AutoCad Generated	# CTQs	DWG NO
	⊖ CRITICAL TO QUALITY CHARACTERISTIC	

ABB

TITLE: **ATS POWER CIRCUIT & LAYOUT**

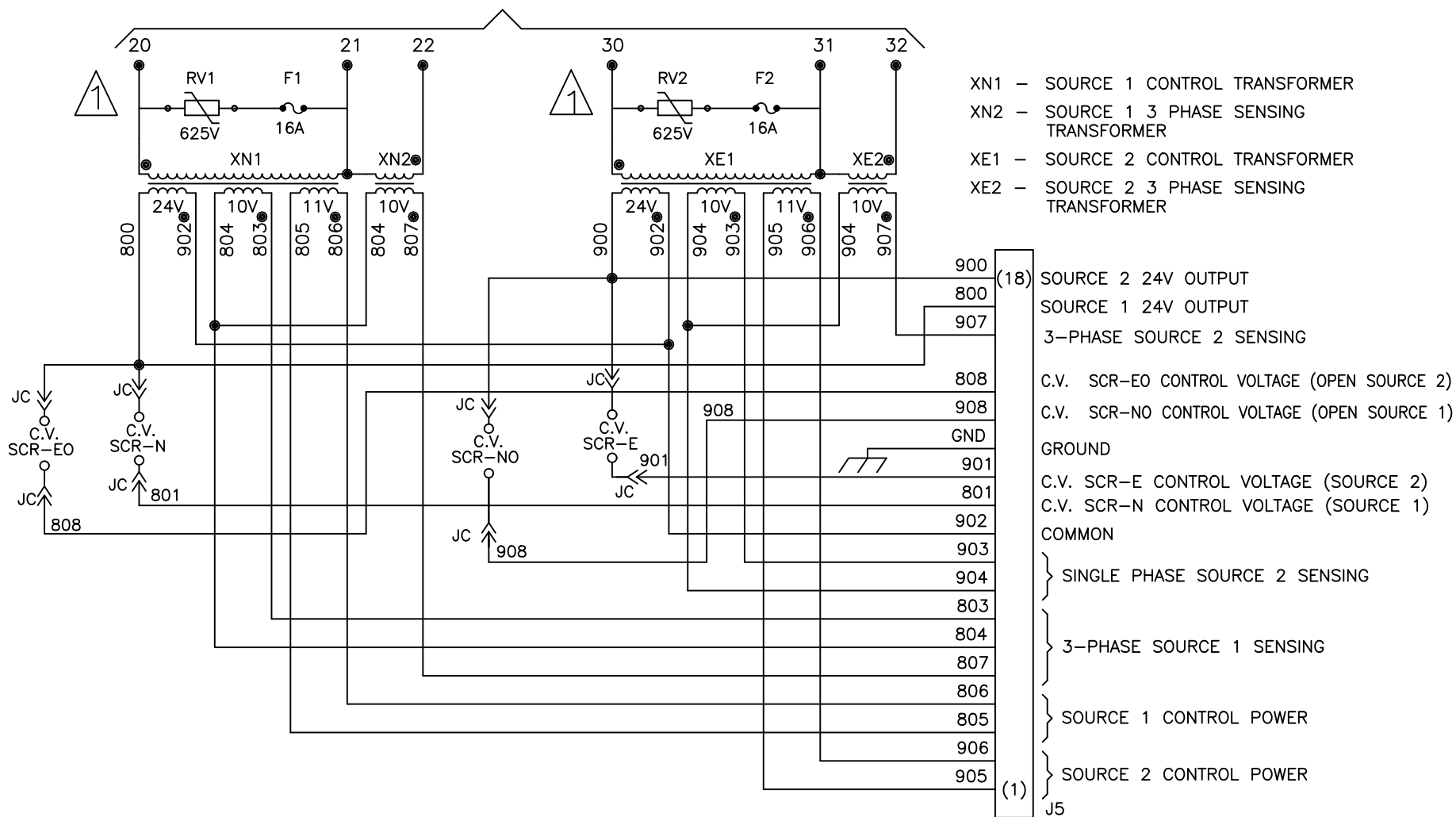
FIRST MADE FOR: ZTSD(4000AMP)

SCALE: NA

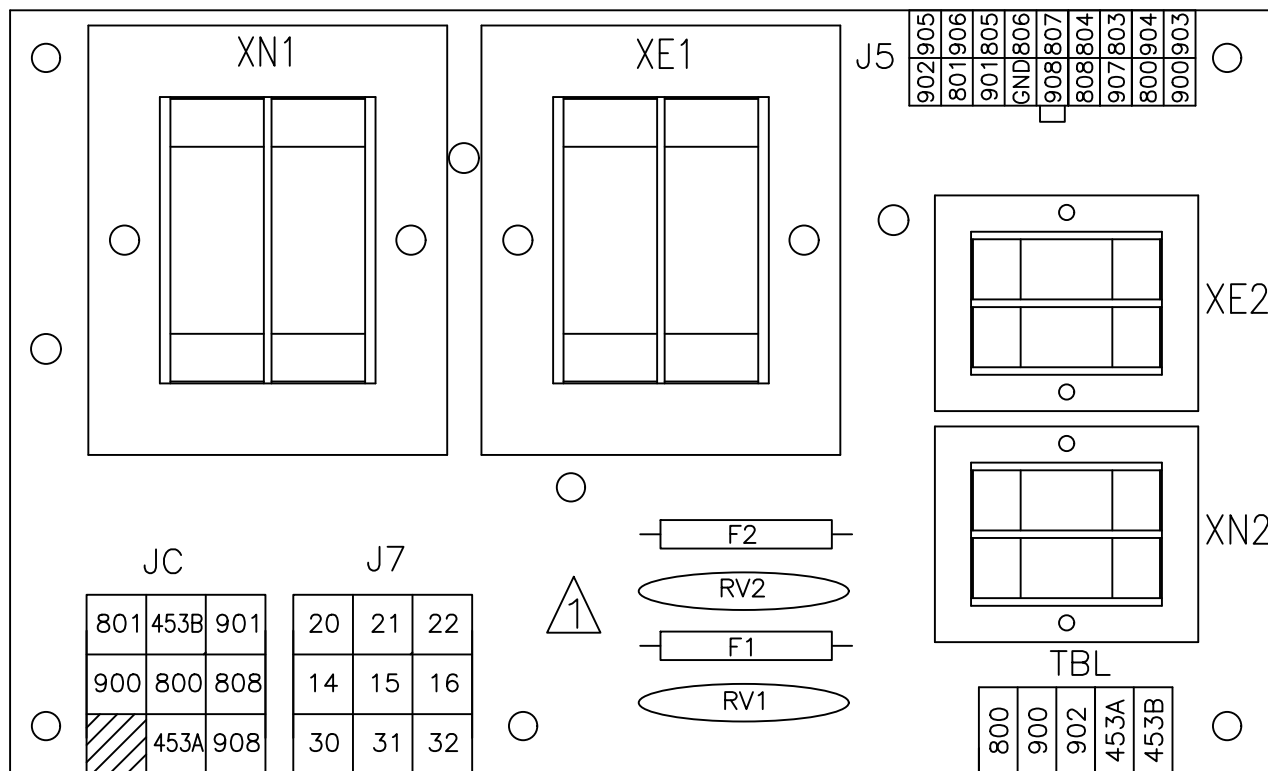
SHEET 1 OF 2

CONTROLS POWER SUPPLY (CPS) SCHEMATIC

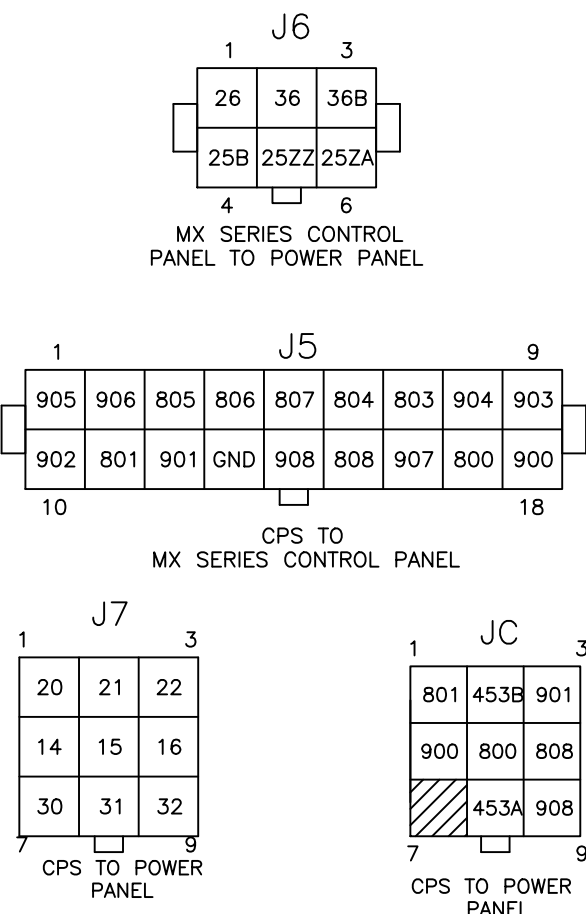
TO POWER CIRCUIT SCHEMATIC - SHEET 1



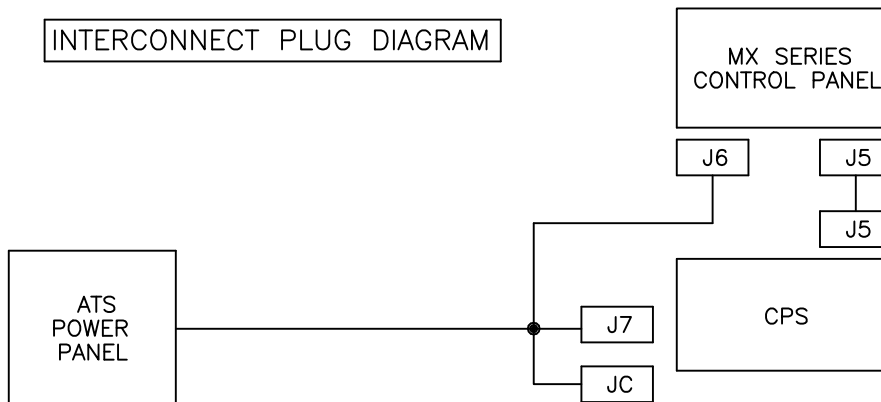
CONTROLS POWER SUPPLY (CPS)



INTERCONNECT PLUGS



INTERCONNECT PLUG DIAGRAM

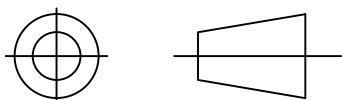


LEGEND

- WIRE CONNECTION
- * OPTIONAL

ABB PROPRIETARY AND CONFIDENTIAL INFORMATION
 The information contained in this document has to be kept strictly confidential.
 Any unauthorized use, reproduction, distribution or disclosure to third parties is strictly forbidden.
 ABB reserves all rights regarding intellectual Property Rights.
 Copyright 2018 ABB. All rights reserved

THIRD ANGLE PROJECTION



FOR ADDITIONAL INFO REFER TO APPLIED PRACTICES UNLESS OTHERWISE SPECIFIED DIMENSIONS ARE IN INCHES	SIGNATURES	DATE
TOLERANCES ON: 2 PL. DECIMALS ± .020 3 PL. DECIMALS ± .005 ANGLES ± 1° FRACTIONS ± 1/64	MODEL GG DETAIL CHECKED ENGRG FS MFG QUALITY ISSUED	05/05/03
FINISH ✓	DRAWING FILE: 72a-3000.dwg MODEL / ASSEMBLY FILE: ZTSD(4000AMP)	
AutoCad Generated	# CTQs	CRITICAL TO QUALITY CHARACTERISTIC



TITLE
 CONTROLS POWER SUPPLY(CPS)
 & INTERCONNECT PLUGS

FIRST MADE FOR: ZTSD(4000AMP)

SIZE B CAGE CODE DWG NO

72A-3000

SCALE: NA

SHEET 2 OF 2