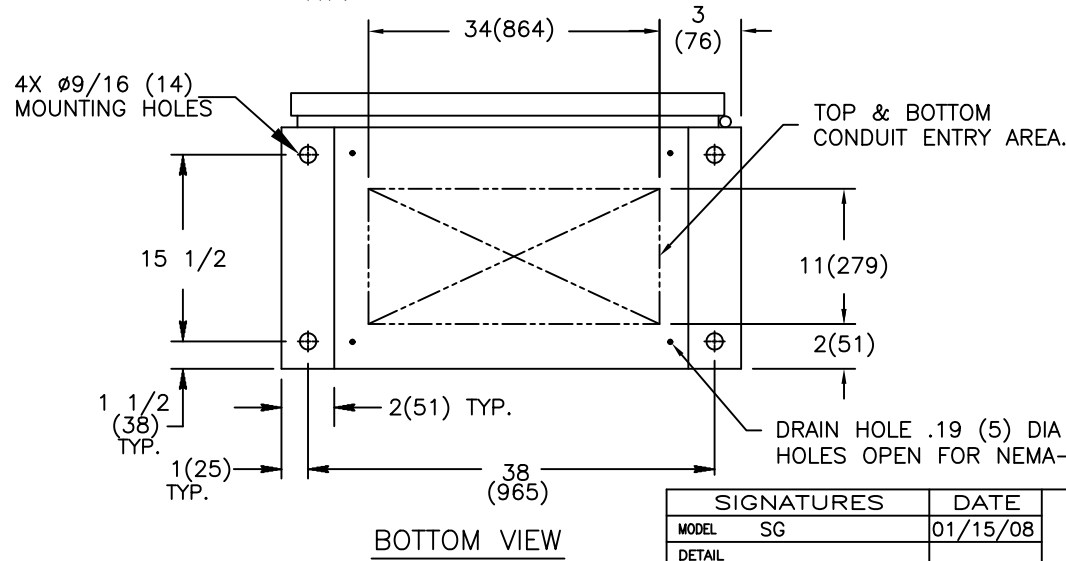
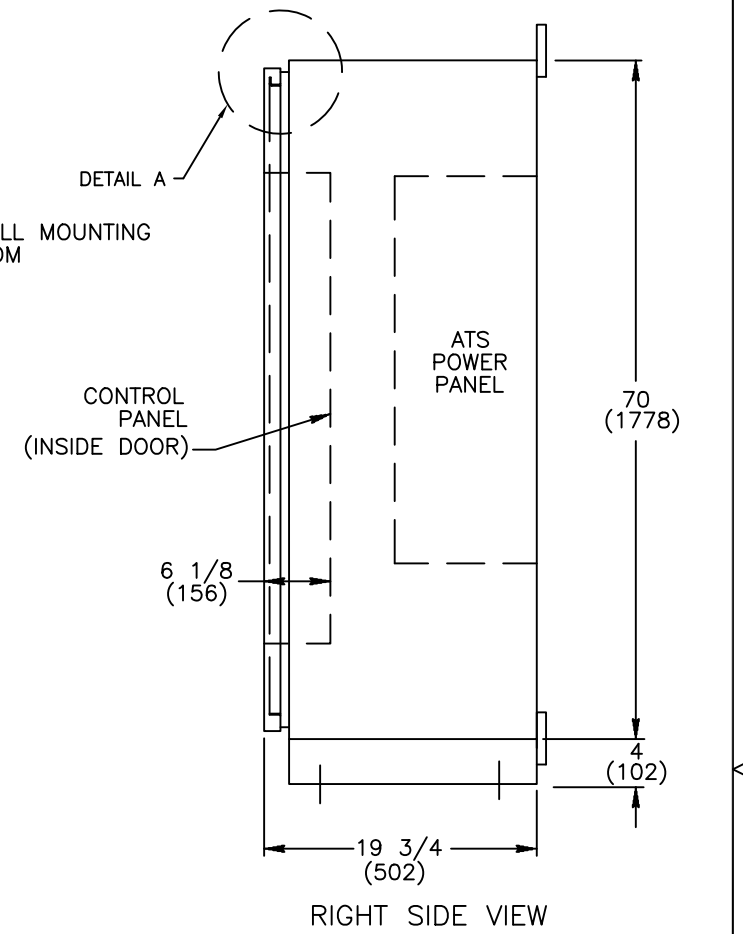
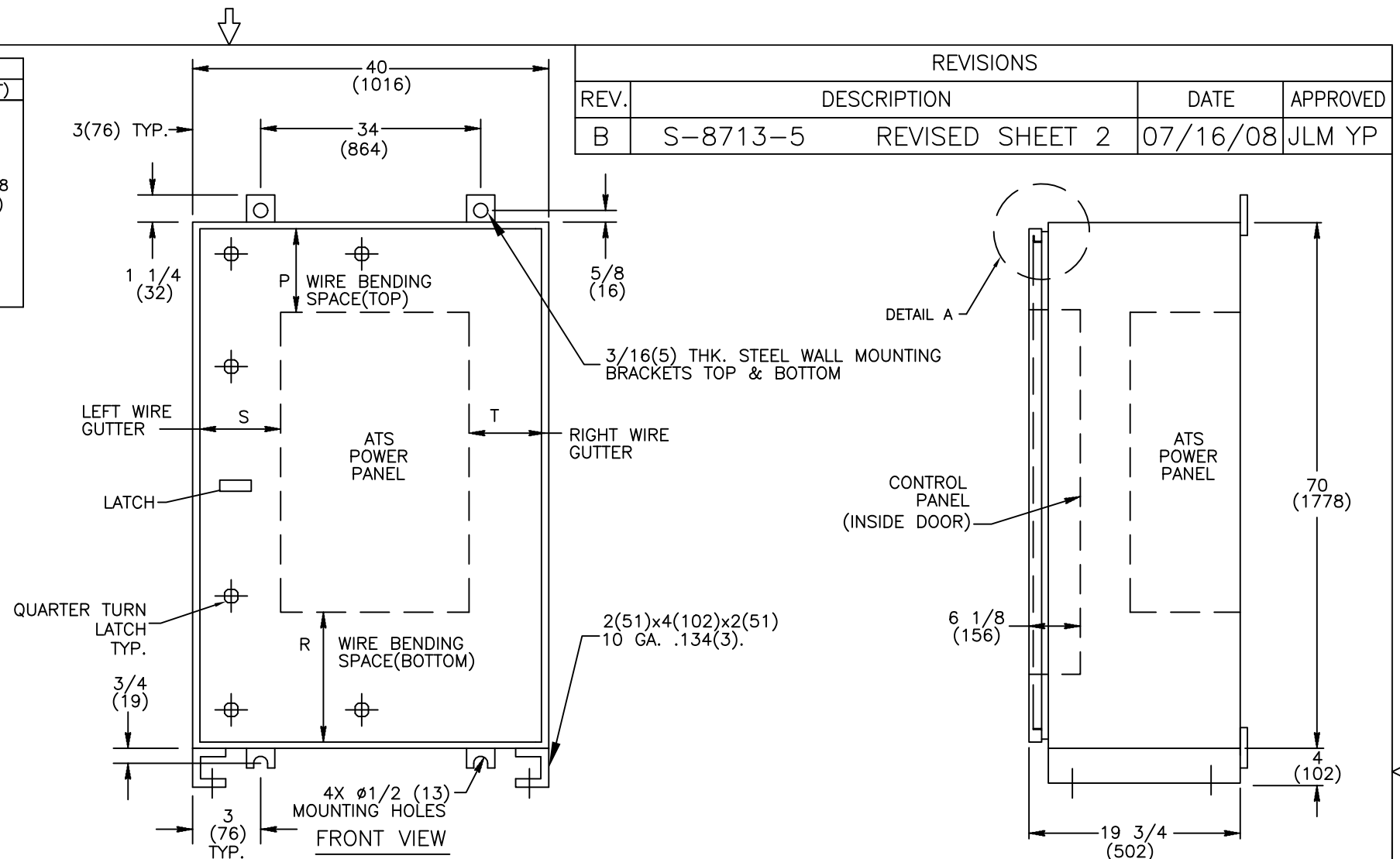
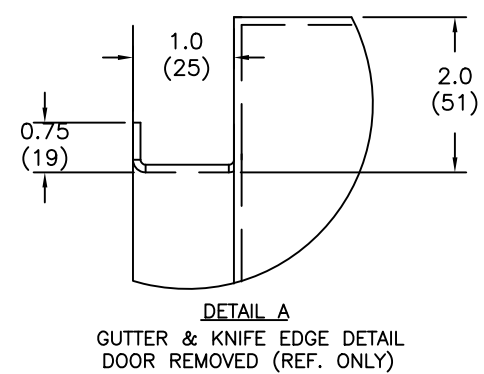


MODEL	AMPERAGE	CONTROLLER TYPE	NO. POLES	ENCLOSURE PART #	LUG RANGE	WIRE BENDING SPACE		WIRE GUTTERS	
						P(TOP)	R(BOTTOM)	S(LEFT)	T(RIGHT)
ZTE(D)	1000-1200 AMP	MX-350	2,3	F-1868MP	(QTY 4) #2-600 MCM (33-304mm ²)	18 3/4 (476)	18 1/2 (470)	15 3/8 (391)	2 7/8 (73)
4			9 (229)						
ZTECT			2,3					15 3/8 (391)	
4			9 (229)						

REVISIONS			
REV.	DESCRIPTION	DATE	APPROVED
B	S-8713-5 REVISED SHEET 2	07/16/08	JLM YP



- NOTES:
- MATERIAL:
12 GA. 1018 HRS .104(3).
(F-1868MP)
 - FINISH: ANSI 61 GREY
 - ALL DIMENSIONS ARE FOR REFERENCE ONLY AND SHOWN IN INCHES(MILLIMETERS).
 - CONSTRUCTION PER UL 1008
 - FOR INSTALLATION REFER TO SHEET NO. 2

SIGNATURES		DATE
MODEL	SG	01/15/08
DETAIL		
CHECKED		
ENGRG	MC	
MFG		
QUALITY		
ISSUED		
DRAWING FILE: 90c-1005-b-1.dwg		
MODEL / ASSEMBLY FILE: ZTE(D/CT) (1000-1200A)		
# CTQs	⊖ CRITICAL TO QUALITY CHARACTERISTIC	

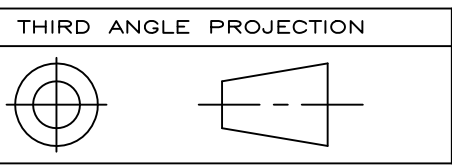
GE Zenith Controls

TITLE
ZTE(D/CT) 1000-1200 AMP
DIM. DWG. NEMA 3R, 4 & 12

FIRST MADE FOR: ZTE(D/CT) 1000 - 1200 AMP NEMA 3R, 4 & 12

SIZE	CAGE CODE	DWG NO
B		90C-1005

SCALE: N/A SHEET 1 OF 2



GE PROPRIETARY AND CONFIDENTIAL INFORMATION

This document is the property of General Electric Company ("GE") and contains proprietary information of GE. This document is loaned on the express condition that neither it nor the information contained therein shall be disclosed to others without the express written consent of GE Industrial Systems, and that the information shall be used by the recipient only as approved expressly by GE Industrial Systems. This document shall be returned to GE upon its request. This document may be subject to certain restrictions under U.S. export control laws and regulations.

AutoCad Generated

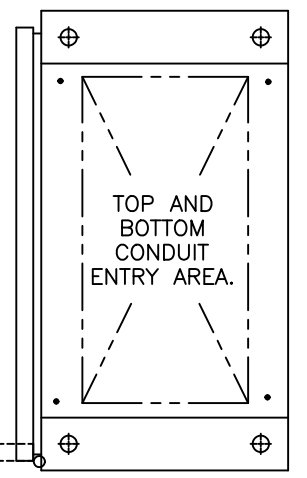
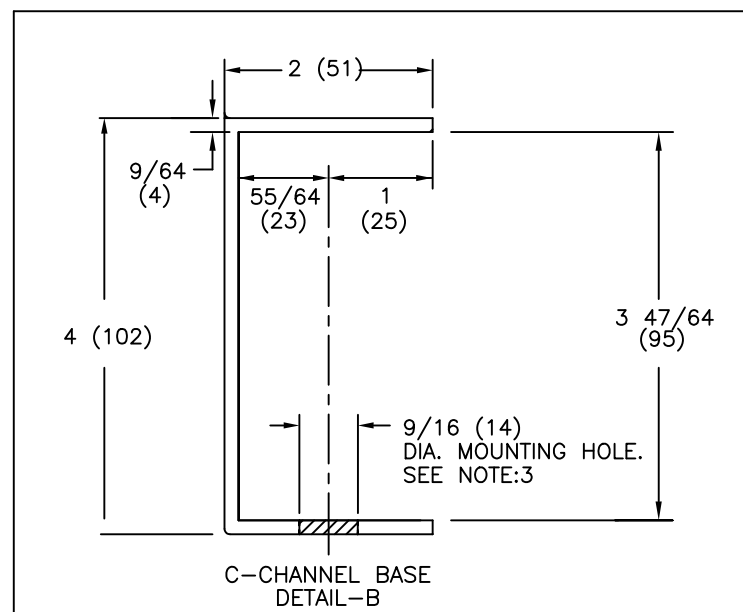
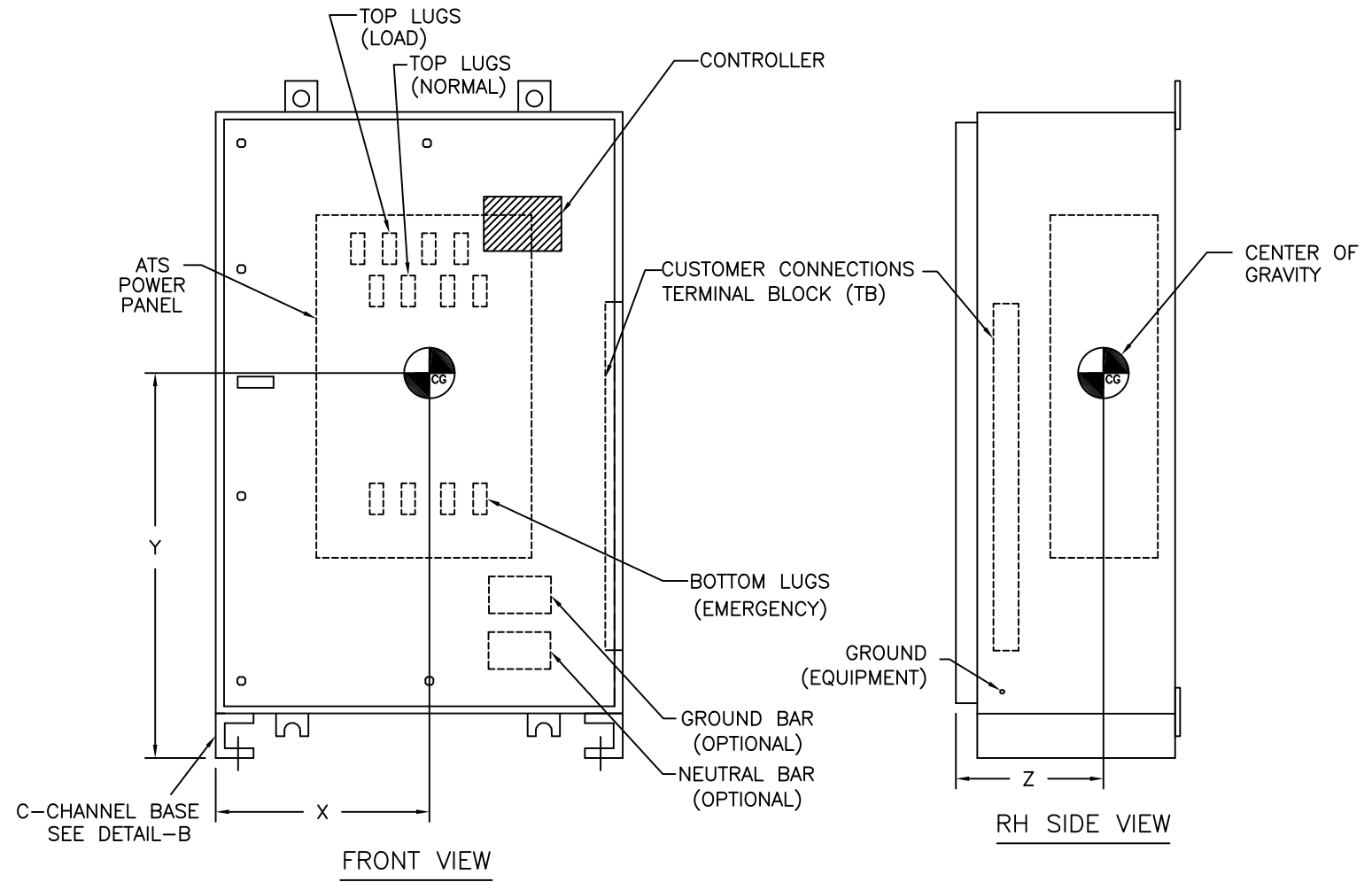
REVISIONS			
REV.	DESCRIPTION	DATE	APPROVED
B	S-8713-5 REVISED DWG	07/17/08	GG YP

NOTES:

- ALL DIMENSIONS ARE FOR REFERENCE ONLY AND SHOWN IN INCHES (MILLIMETERS).
- SEISMIC DATA OF MOST VULNERABLE ATS CONSTRUCTION WITHIN ITS PLATFORM:

MAXIMUM DEFLECTION AT TOP OF GEAR:	d _{ss} =0.69 INCHES (18 mm) d _{fb} =0.21 INCHES (5 mm)
QUALIFIED BY:	TIME HISTORY SHAKE TABLE TEST IEEE-693-2005-HIGHx2.5 (64 mm) IBC-2003-300%G
RESONANCE FREQUENCIES:	f _{ss} =10.9 Hz f _{fb} =19.5 Hz f _v >33.0 Hz
MAXIMUM REACTION TO ANY BOLT:	V _{ss} =945 LBS (430 KG) SHEAR (DEAD LOAD +/- SEISMIC) V _{fb} =945 LBS (430 KG) SHEAR T _v =1872 LBS (851 KG) UP P _v =2613 LBS (1188 KG) DOWN

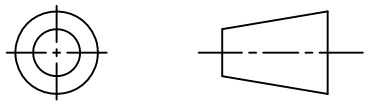
- BOLT ENCLOSURE FROM C-CHANNEL BASE (SEE DETAIL B) USING THE FOLLOWING SEISMIC CERTIFIED MOUNTING HARDWARE PER MOUNTING HOLE:
(HARDWARE PROVIDED BY INSTALLER).
 - 1/2-13 GRADE 5 BOLT TORQUE TO 70 FT-LBS. (95 NEWTON METERS).
 - US STANDARD HIGH STRENGTH ZINC-PLATED FLAT WASHER 5/8 (16) I.D. AND 1-1/2 (38) O.D.
 - 1/2 (13) HELICAL SPRING LOCK WASHER.
- CENTER OF GRAVITY DIMENSIONS ARE FOR REFERENCE ONLY.
- SWITCH IS DESIGNED FOR BOTH TOP AND BOTTOM CABLE ENTRY. STANDARD SWITCH CONFIGURATION IS FOR TOP LUGS LOAD AND NORMAL AND BOTTOM LUGS EMERGENCY. REFER TO SHEET 1 FOR CABLE BENDING SPACE AND GUTTER SPACE DETAILS.
- SWITCH SUPPLIED WITH STANDARD MECHANICAL LUG. REFER TO SHEET 1 FOR LUG DETAILS
- ALL CONTROL WIRES (18-12 AWG) MUST BE TORQUED TO 19 in-lbs. (2 N-m)
- LUG TORQUE ARE APPLICABLE FOR CU & AL CABLES.
- FOR WORKING CLEARANCE REFER TO NATIONAL AND LOCAL CODES AND STANDARDS.
- NEMA 4 AND 12 ENCLOSURE TYPE ATS WILL COME WITH WINDOW KIT (NOT SHOWN).



SOCKET SIZE ACROSS FLATS	TORQUE	
	Lb-Ft	N-m
1/8	4	5.4
5/32	8	10.9
3/16	10	13.6
7/32	12	16.3
1/4	17	23.1
5/16	23	31.2
3/8	31	42.1
1/2	42	57.0
9/16	50	67.9

AMP	POLE	WEIGHT	CENTER OF GRAVITY in(mm)		
		LB(kg)	X	Y	Z
1000-1200	2,3	460(209)	22.0	35.0	12.0
	4	490(223)	(559)	(889)	(305)

THIRD ANGLE PROJECTION



GE PROPRIETARY AND CONFIDENTIAL INFORMATION

This document is the property of General Electric Company ("GE") and contains proprietary information of GE. This document is loaned on the express condition that neither it nor the information contained therein shall be disclosed to others without the express written consent of GE Industrial Systems, and that the information shall be used by the recipient only as approved expressly by GE Industrial Systems. This document shall be returned to GE upon its request. This document may be subject to certain restrictions under U.S. export control laws and regulations.

AutoCad Generated

SIGNATURES		DATE
MODEL	SG	01/15/08
DETAIL		
CHECKED		
ENGRG	MC	
MFG		
QUALITY		
ISSUED		
DRAWING FILE:	90c-1005-b-2.dwg	
MODEL / ASSEMBLY FILE:	ZTE(D/CT) (1000-1200A)	
# CTQs		



TITLE
ZTE(D/CT) 1000-1200 AMP
INST. DWG. NEMA 3R, 4 & 12

FIRST MADE FOR:	ZTE(D/CT) 1000-1200A, NEMA 3R, 4 & 12
SIZE	B
CAGE CODE	
DWG NO	90C-1005
SCALE:	N/A
SHEET	2 OF 2

