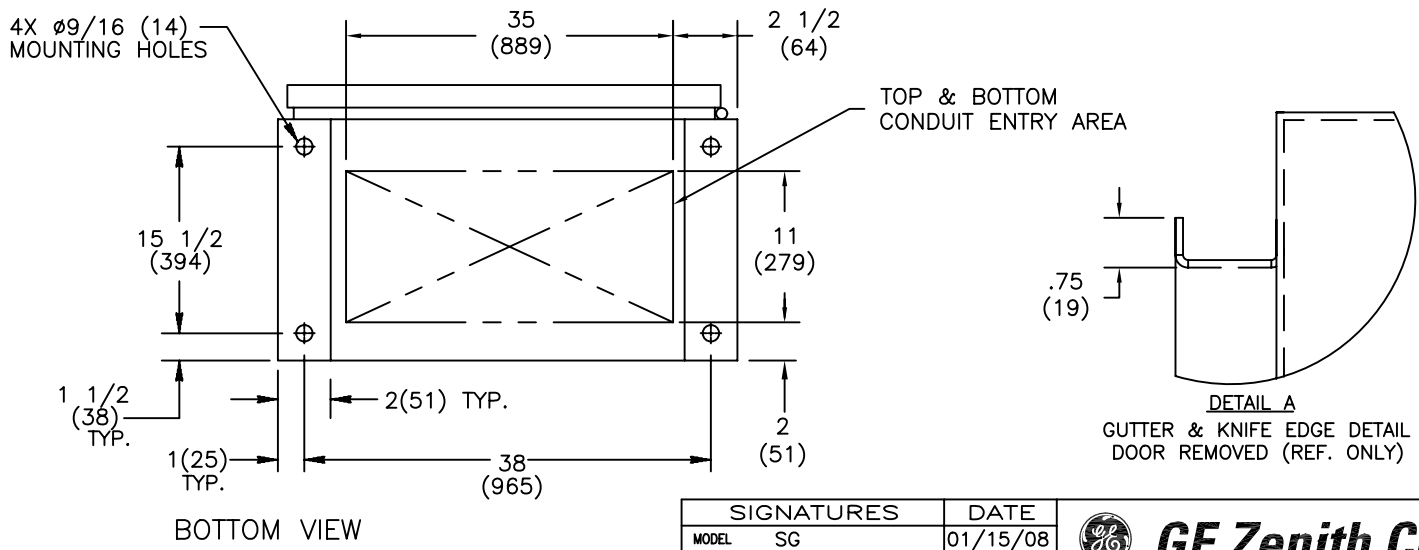
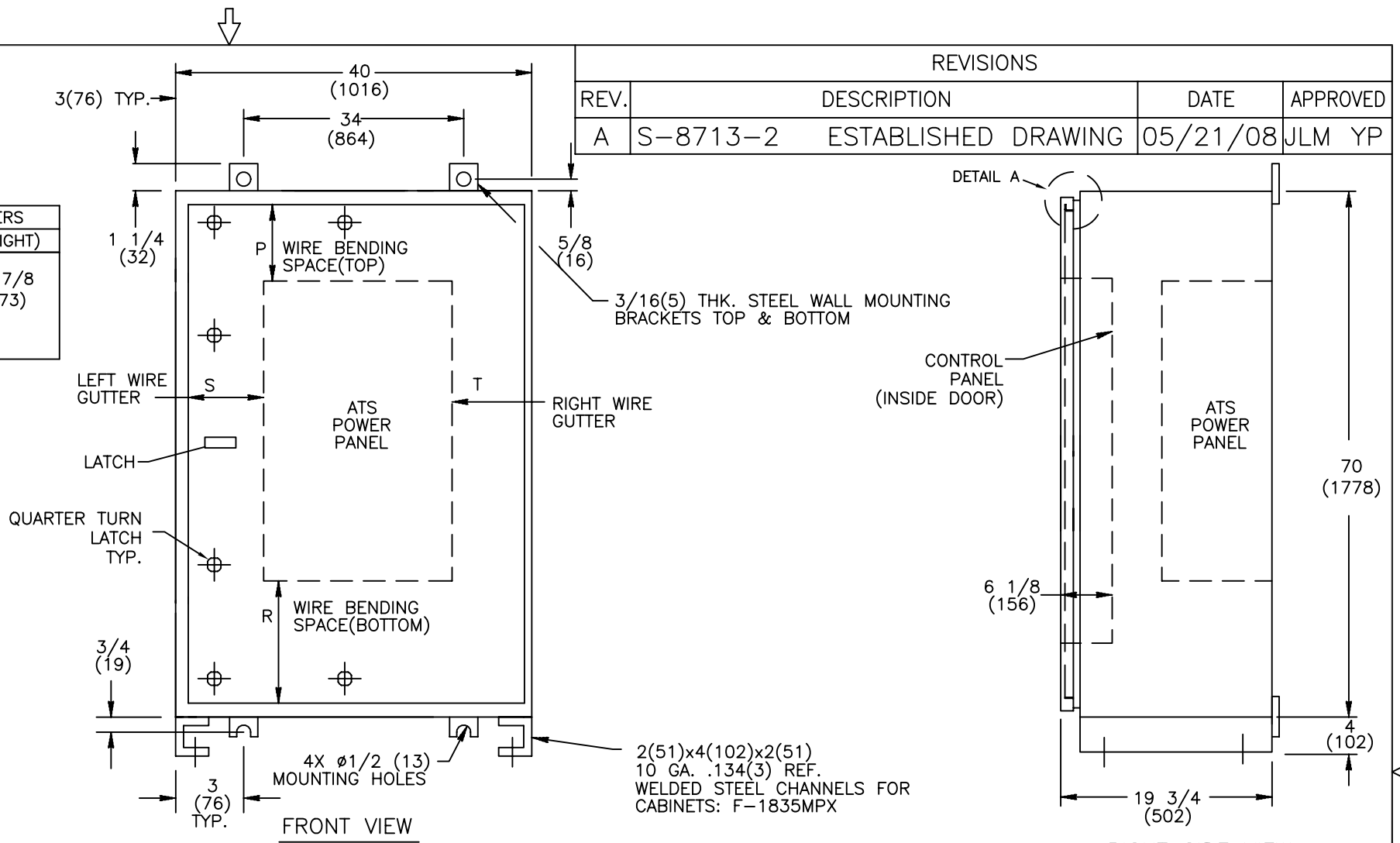


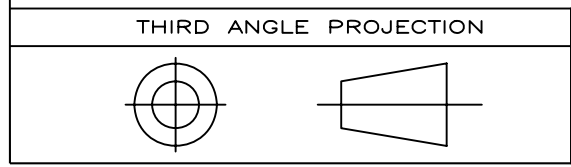
MODEL	CONTROLLER TYPE	NO. POLES	ENCLOSURE PART #	LUG RANGE	WIRE BENDING SPACE		WIRE GUTTERS	
					P(TOP)	R(BOTTOM)	S(LEFT)	T(RIGHT)
ZTE(D/CT) 1000-1200AMP	MX-350	2,3	F-1868MPX	(QTY 4) #2-600 MCM (33-304mm <sup>2</sup> )	18 3/4 (476)	18 1/2 (470)	15 3/8 (391)	2 7/8 (73)
		4					9 (229)	

REVISIONS			
REV.	DESCRIPTION	DATE	APPROVED
A	S-8713-2 ESTABLISHED DRAWING	05/21/08	JLM YP



- NOTES:**
1. MATERIAL: 12 GA. .104(3) REF. 304 STAINLESS STEEL
  2. FINISH: NONE
  3. ALL DIMENSIONS ARE FOR REFERENCE ONLY AND SHOWN IN INCHES(MILLIMETERS).
  4. CONSTRUCTION PER UL 1008
  5. FOR INSTALLATION, REFER TO SHEET NO. 2.

SIGNATURES		DATE	GE Zenith Controls		
MODEL	SG	01/15/08	<b>TITLE</b> ZTE(D/CT) 1000-1200 AMP DIM. DWG. NEMA 4X		
DETAIL					
CHECKED					
ENGRG					
MFG					
QUALITY			FIRST MADE FOR: ZTE(D/CT) 1000-1200 AMP NEMA 4X ENCLOSURE		
ISSUED			SIZE	CAGE CODE	DWG NO
DRAWING FILE:	90c-1009-a-1.dwg		B		90C-1009
MODEL / ASSEMBLY FILE:	ZTE(D/CT) 1000-1200 AMP				
# CTQs	⊖	CRITICAL TO QUALITY CHARACTERISTIC	SCALE:	N/A	
AutoCad Generated			SHEET 1 OF 2		



GE PROPRIETARY AND CONFIDENTIAL INFORMATION

This document is the property of General Electric Company ("GE") and contains proprietary information of GE. This document is loaned on the express condition that neither it nor the information contained therein shall be disclosed to others without the express written consent of GE Industrial Systems, and that the information shall be used by the recipient only as approved expressly by GE Industrial Systems. This document shall be returned to GE upon its request. This document may be subject to certain restrictions under U.S. export control laws and regulations.



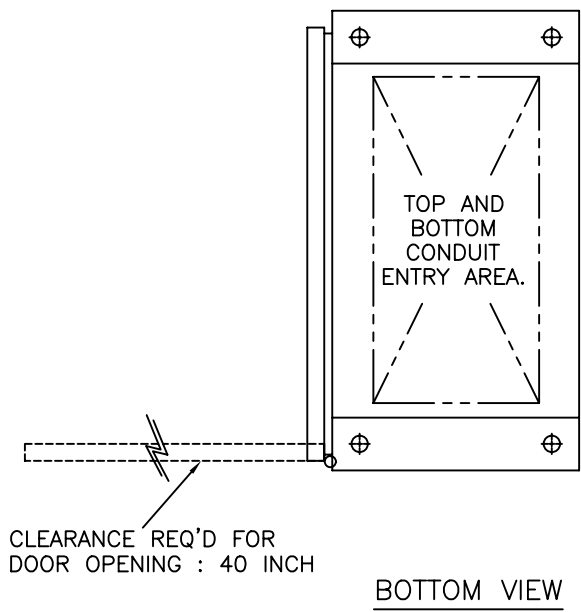
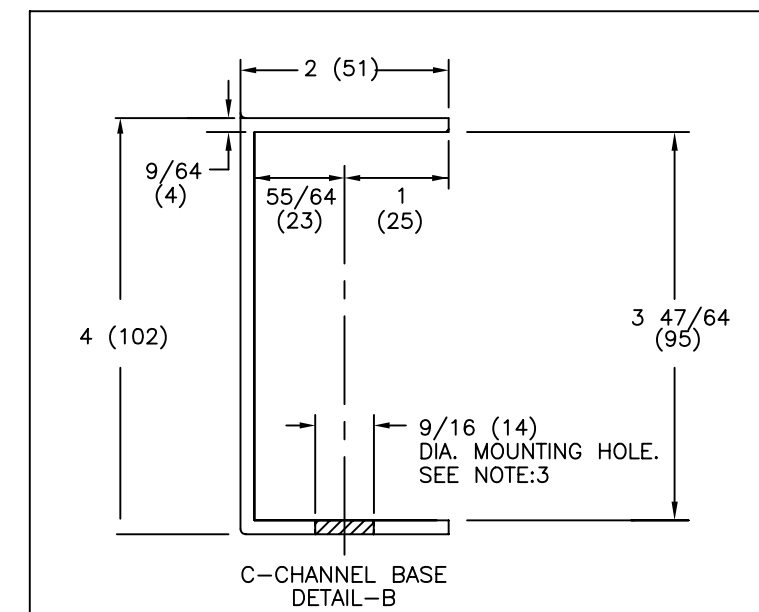
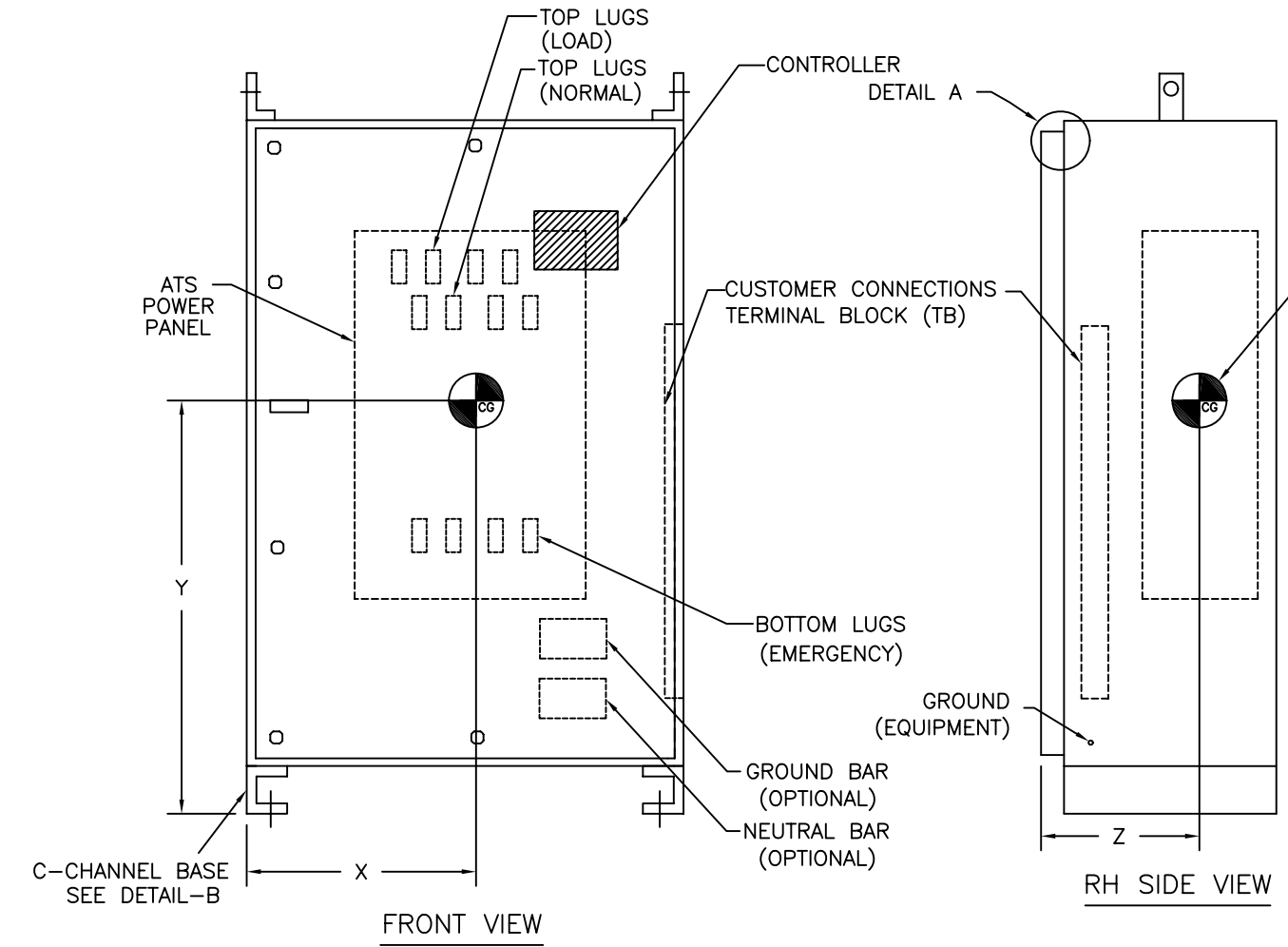
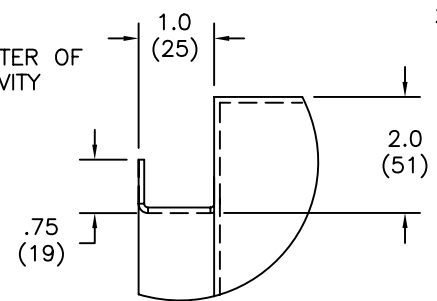


REVISIONS			
REV.	DESCRIPTION	DATE	APPROVED
A	S-8713-2 ESTABLISHED DRAWING	05/21/08	JLM YP

**NOTES:**

- ALL DIMENSIONS ARE FOR REFERENCE ONLY AND SHOWN IN INCHES (MILLIMETERS).
- SEISMIC DATA OF MOST VULNERABLE ATS CONSTRUCTION WITHIN ITS PLATFORM:
 

MAXIMUM DEFLECTION AT TOP OF GEAR:	dss=0.69 INCHES (18 mm)
	dfb=0.21 INCHES (5 mm)
QUALIFIED BY:	TIME HISTORY SHAKE TABLE TEST
	IEEE-693-2005-HIGHx2.5 (64 mm)
	IBC-2003-300%G
RESONANCE FREQUENCIES:	fss=10.9 Hz
	ffb=19.5 Hz
	fv>>33.0 Hz
MAXIMUM REACTION TO ANY BOLT:	Vss=945 LBS (430 KG) SHEAR
	(DEAD LOAD +/- SEISMIC)
	Vfb=945 LBS (430 KG) SHEAR
	Tv=1872 LBS (851 KG) UP
	Pv=2613 LBS (1188 KG) DOWN
- BOLT ENCLOSURE FROM C-CHANNEL BASE (SEE DETAIL B) USING THE FOLLOWING SEISMIC CERTIFIED MOUNTING HARDWARE PER MOUNTING HOLE: (HARDWARE PROVIDED BY INSTALLER).
  - 1/2-13 GRADE 5 BOLT TORQUE TO 70 FT-LBS. (95 NEWTON METERS).
  - US STANDARD HIGH STRENGTH ZINC-PLATED FLAT WASHER 5/8 (16) I.D. AND 1-1/2 (38) O.D.
  - 1/2 (13) HELICAL SPRING LOCK WASHER.
- CENTER OF GRAVITY DIMENSIONS ARE FOR REFERENCE ONLY.
- SWITCH IS DESIGNED FOR BOTH TOP AND BOTTOM CABLE ENTRY. STANDARD SWITCH CONFIGURATION IS FOR TOP LUGS LOAD AND NORMAL AND BOTTOM LUGS EMERGENCY. REFER TO SHEET 1 FOR CABLE BENDING SPACE AND GUTTER SPACE DETAILS.
- SWITCH SUPPLIED WITH STANDARD MECHANICAL LUG. REFER TO SHEET 1 FOR LUG DETAILS
- ALL CONTROL WIRES (18-12 AWG) MUST BE TORQUED TO 19 in-lbs. (2 N-m)
- LUG TORQUE ARE APPLICABLE FOR CU & AL CABLES.
- FOR WORKING CLEARANCE REFER TO NATIONAL AND LOCAL CODES AND STANDARDS.



SOCKET SIZE ACROSS FLATS	TORQUE	
	Lb-Ft	N-m
1/8	4	5.4
5/32	8	10.9
3/16	10	13.6
7/32	12	16.3
1/4	17	23.1
5/16	23	31.2
3/8	31	42.1
1/2	42	57.0
9/16	50	67.9

AMP	POLE	WEIGHT	CENTER OF GRAVITY in(mm)		
		LB(kg)	X	Y	Z
1000-1200	2,3	460(209)	22.0	35.0	12.0
	4	490(223)	(559)	(889)	(305)

SIGNATURES		DATE
MODEL	SG	01/15/08
DETAIL		
CHECKED		
ENGRG		
MFG		
QUALITY		
ISSUED		
DRAWING FILE:	90c-1009-a-2.dwg	
MODEL / ASSEMBLY FILE:	ZTE(D/CT) 1000-1200 AMP	
# CTQs	CRITICAL TO QUALITY CHARACTERISTIC	

**GE Zenith Controls**

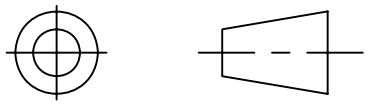
TITLE  
**ZTE(D/CT) 1000-1200 AMP  
INSTALLATION DWG.**

FIRST MADE FOR: ZTE(D/CT) 1000-1200 AMP NEMA 4X ENCLOSURE

SIZE	CAGE CODE	DWG NO
B		90C-1009

SCALE: A SHEET 2 OF 2

THIRD ANGLE PROJECTION



GE PROPRIETARY AND CONFIDENTIAL INFORMATION

This document is the property of General Electric Company ("GE") and contains proprietary information of GE. This document is loaned on the express condition that neither it nor the information contained therein shall be disclosed to others without the express written consent of GE Industrial Systems, and that the information shall be used by the recipient only as approved expressly by GE Industrial Systems. This document shall be returned to GE upon its request. This document may be subject to certain restrictions under U.S. export control laws and regulations.

AutoCad Generated

