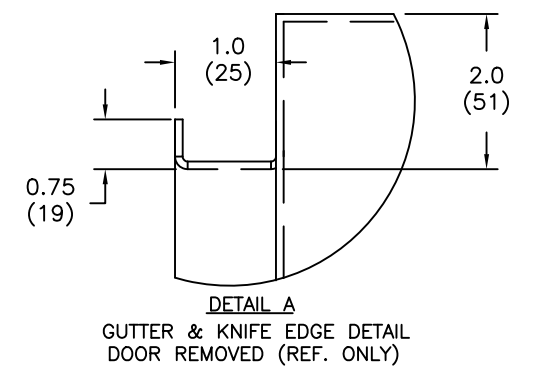


REVISIONS				
REV.	DESCRIPTION	DATE	APPROVED	
B	S-8713-5 REVISED SHEET 2	07/16/08	GG	YP

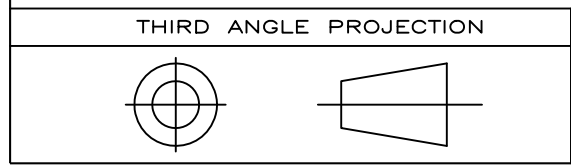
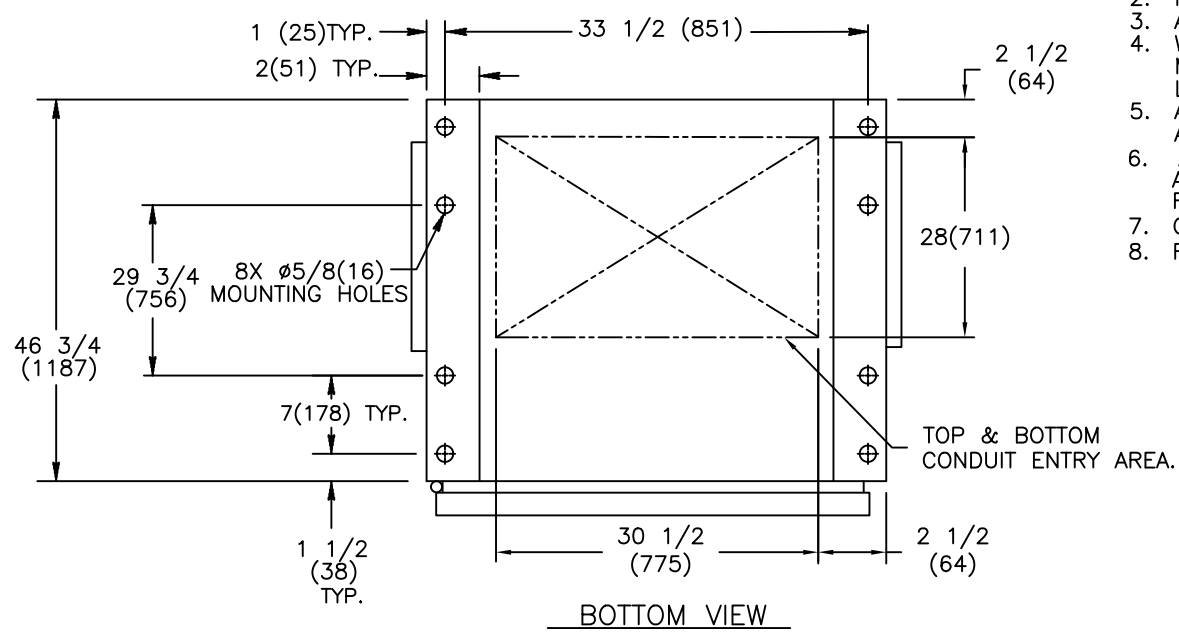
MODEL	CONTROLLER TYPE	NO. POLES	ENCLOSURE PART #	LUG RANGE	WIRE BENDING SPACE		WIRE GUTTERS		CABINET REAR Y
					P(TOP)	R(BOTTOM)	S(LEFT)	T(RIGHT)	
ZTE(D/CT) 1600-2000 AMP	MX-350	3	F-1869MPX	(QTY 8) #2-600 MCM (33-304mm ²)	41 1/8 (1045)	20 1/8 (511)	5 3/4 (146)	17 1/4 (438)	23 5/8 (600)
		4						5 3/4 (146)	



NOTES:

1. MATERIAL: 10 GA. .134(3) 304 STAINLESS STEEL.
2. FINISH: NONE
3. ALL CABLE ENTRY IN REAR OF CABINET.
4. WIRING BENDING AND GUTTER SPACES MEASURED AT POINT OF CONNECTION TO LUGS. LUGS ARE SUPPLIED AS OPTION ONLY.
5. ALL DIMENSIONS ARE FOR REFERENCE ONLY AND SHOWN IN INCHES(MILLIMETERS).
6. ALL SIDE AND REAR DOOR/PANELS SHALL HAVE GUTTER AND KNIFE EDGE FLANGES, AND HAVE HINGES ON THE RIGHT HAND SIDE.
7. CONSTRUCTION PER UL 1008
8. FOR INSTALLATION, REFER TO SHEET NO. 2.

IMPORTANT NOTE:
LUGS ARE SUPPLIED AS OPTIONAL ACCESSORY ONLY. TYPICAL CONFIGURATION SHOWN FOR REFERENCE ONLY.



THIRD ANGLE PROJECTION

GE PROPRIETARY AND CONFIDENTIAL INFORMATION

This document is the property of General Electric Company ("GE") and contains proprietary information of GE. This document is loaned on the express condition that neither it nor the information contained therein shall be disclosed to others without the express written consent of GE Industrial Systems, and that the information shall be used by the recipient only as approved expressly by GE Industrial Systems. This document shall be returned to GE upon its request. This document may be subject to certain restrictions under U.S. export control laws and regulations.

SIGNATURES		DATE		GE Zenith Controls
MODEL	SG	01/15/08		
DETAIL				TITLE ZTE(D/CT) 1600-2000 AMP DIM. DWG. NEMA 4X
CHECKED	SSK	01/15/08		
ENGRG				FIRST MADE FOR: ZTE(D/CT) 1600-2000 AMP NEMA 4X ENCLOSURE
MFG				
QUALITY				SIZE CAGE CODE DWG NO B
ISSUED				
DRAWING FILE:	90c-1010-b-1.dwg			90C-1010
MODEL / ASSEMBLY FILE:	ZTE(D/CT) 1600-2000 AMP			
# CTQs	⊖	CRITICAL TO QUALITY CHARACTERISTIC		SCALE: N/A
AutoCad Generated				SHEET 1 OF 2

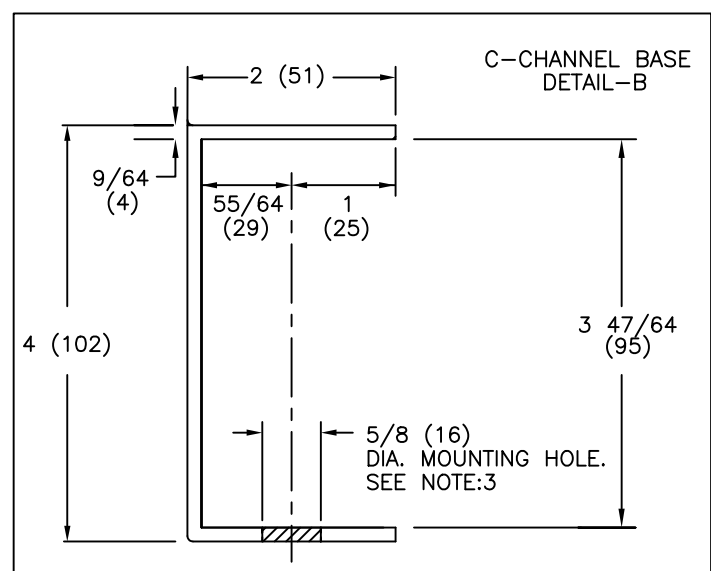
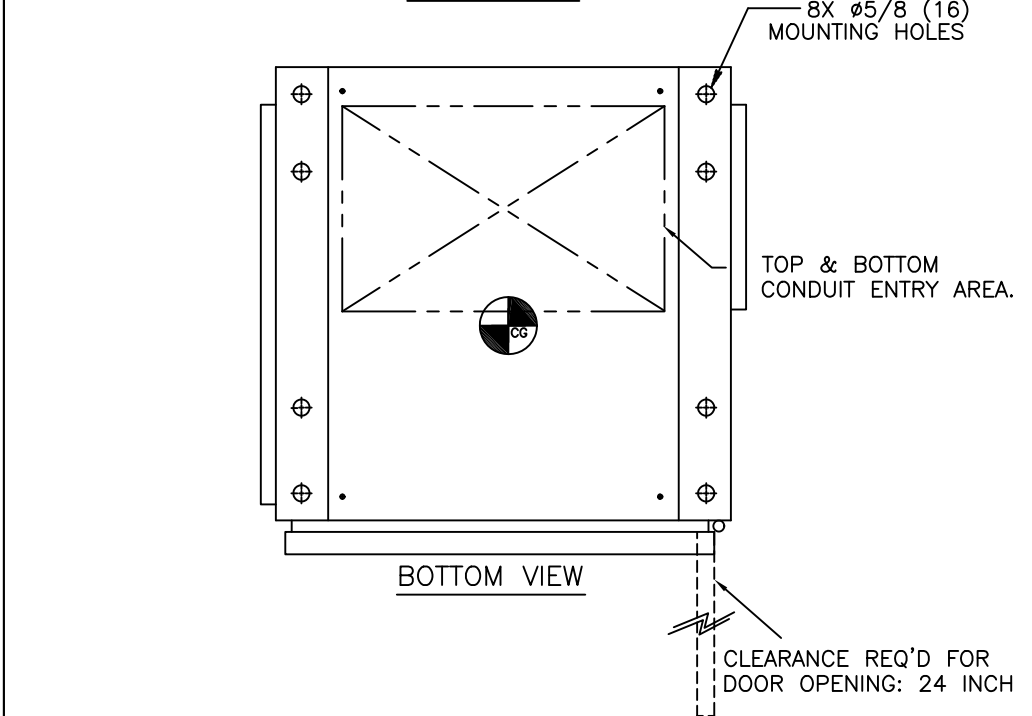
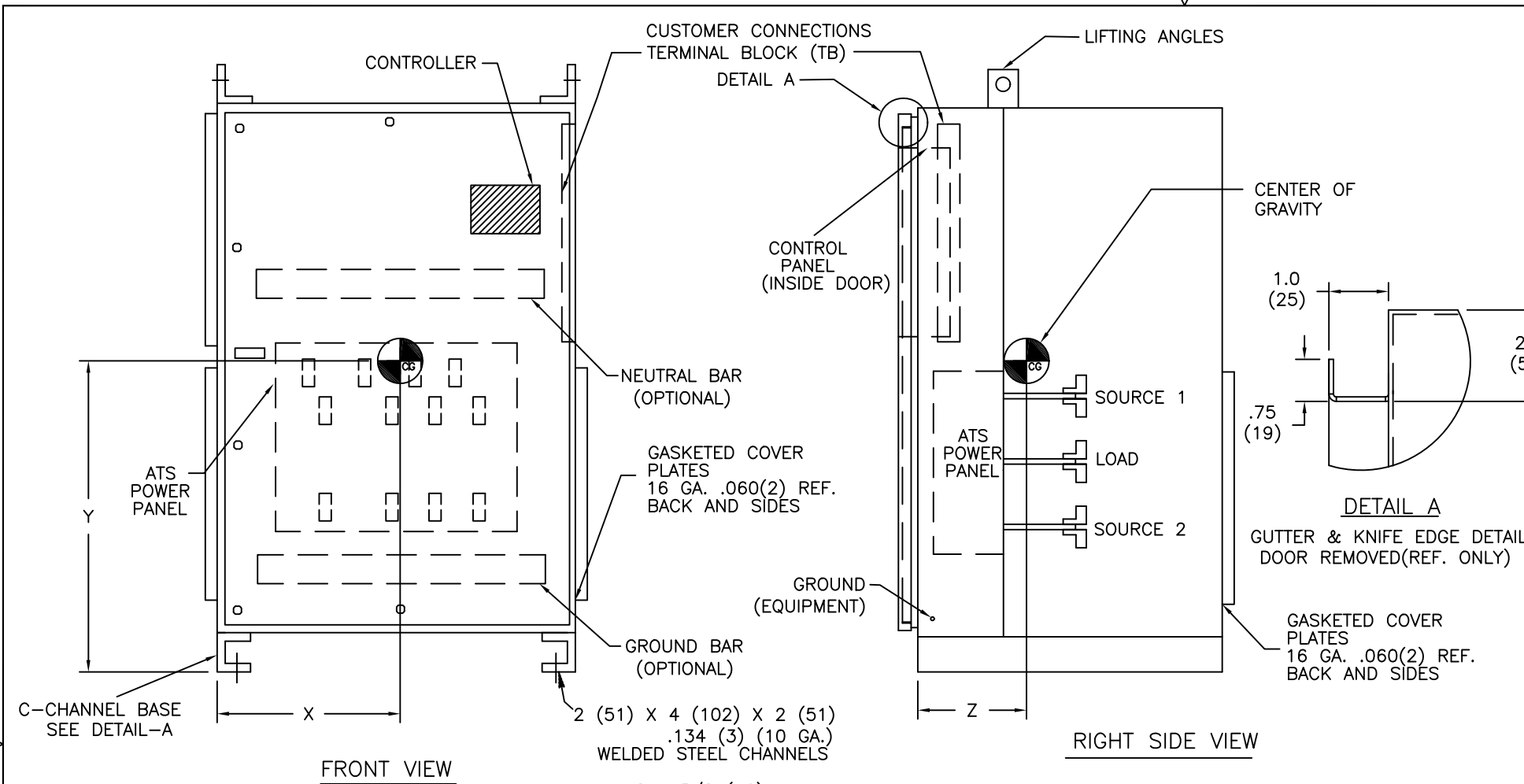


REVISIONS			
REV.	DESCRIPTION	DATE	APPROVED
B	S-8713-5 REVISED DRW	07/16/08	GG YP

NOTES:

- ALL DIMENSIONS ARE FOR REFERENCE ONLY AND SHOWN IN INCHES (MILLIMETERS).
- SEISMIC DATA OF MOST VULNERABLE ATS CONSTRUCTION WITHIN ITS PLATFORM:

MAXIMUM DEFLECTION AT TOP OF GEAR:	d _{ss} =0.69 INCHES (18 mm)
	d _{fb} =0.21 INCHES (5 mm)
QUALIFIED BY:	TIME HISTORY SHAKE TABLE TEST
	IEEE-693-2005-HIGHx2.5 (64 mm)
	IBC-2003-300%G
RESONANCE FREQUENCIES:	f _{ss} =10.9 Hz
	f _{fb} =19.5 Hz
	f _v >33.0 Hz
MAXIMUM REACTION TO ANY BOLT:	V _{ss} =945 LBS (430 KG) SHEAR
(DEAD LOAD +/- SEISMIC)	V _{fb} =945 LBS (430 KG) SHEAR
	T _v =1872 LBS (851 KG) UP
	P _v =2613 LBS (1188 KG) DOWN
- BOLT ENCLOSURE FROM C-CHANNEL BASE (SEE DETAIL B) USING THE FOLLOWING SEISMIC CERTIFIED MOUNTING HARDWARE PER MOUNTING HOLE: (HARDWARE PROVIDED BY INSTALLER).
 - 1/2-13 GRADE 5 BOLT TORQUE TO 70 FT-LBS. (95 NEWTON METERS).
 - US STANDARD HIGH STRENGTH ZINC-PLATED FLAT WASHER 5/8 (16) I.D. AND 1-1/2 (38) O.D.
 - 1/2 (13) HELICAL SPRING LOCK WASHER.
- CENTER OF GRAVITY DIMENSIONS ARE FOR REFERENCE ONLY.
- SWITCH IS DESIGNED FOR BOTH TOP AND BOTTOM CABLE ENTRY. STANDARD SWITCH CONFIGURATION IS FOR TOP LUGS LOAD AND NORMAL AND BOTTOM LUGS EMERGENCY. REFER TO SHEET 1 FOR CABLE BENDING SPACE AND GUTTER SPACE DETAILS.
- SWITCH SUPPLIED WITH STANDARD MECHANICAL LUG. REFER TO SHEET 1 FOR LUG DETAILS
- ALL CONTROL WIRES (18-12 AWG) MUST BE TORQUED TO 19 in-lbs. (2 N-m)
- LUG TORQUE ARE APPLICABLE FOR CU & AL CABLES.
- FOR WORKING CLEARANCE REFER TO NATIONAL AND LOCAL CODES AND STANDARDS.
- THIS SWITCH COMES WITH WINDOW KIT (NOT SHOWN).



SOCKET SIZE ACROSS FLATS	TORQUE	
	Lb-Ft	N-m
1/8	4	5.4
5/32	8	10.9
3/16	10	13.6
7/32	12	16.3
1/4	17	23.1
5/16	23	31.2
3/8	31	42.1
1/2	42	57.0
9/16	50	67.9

AMP	POLE	WEIGHT	CENTER OF GRAVITY in(mm)		
		LB(kg)	X	Y	Z
1000-1200	2,3	1010(458)	18.0	40.0	14.0
	4	1160(526)	(457)	(1016)	(356)

SIGNATURES		DATE
MODEL	SG	01/15/08
DETAIL		
CHECKED	SSK	01/15/08
ENGRG		
MFG		
QUALITY		
ISSUED		
DRAWING FILE:	90c-1010-b-2.dwg	
MODEL / ASSEMBLY FILE:	ZTE(D/CT) 1600-2000 AMP	
# CTQs		

GE Zenith Controls

TITLE: ZTE(D/CT) 1600-2000 AMP INSTALLATION DWG. NEMA 4X

FIRST MADE FOR: ZTE(D/CT) 1600-2000 AMP - NEMA-4X

SIZE: B CAGE CODE: DWG NO: 90C-1010

SCALE: N/A SHEET 2 OF 2

THIRD ANGLE PROJECTION

GE PROPRIETARY AND CONFIDENTIAL INFORMATION

This document is the property of General Electric Company ("GE") and contains proprietary information of GE. This document is loaned on the express condition that neither it nor the information contained therein shall be disclosed to others without the express written consent of GE Industrial Systems, and that the information shall be used by the recipient only as approved expressly by GE Industrial Systems. This document shall be returned to GE upon its request. This document may be subject to certain restrictions under U.S. export control laws and regulations.

AutoCad Generated

CRITICAL TO QUALITY CHARACTERISTIC

