

NOTES

- MATERIAL:
 - A. 12 GA. .104(3) REF. 1018 HRS (F-1868MP)
 - B. 14 GA. .074(2) REF. 1018 HRS (F-1875MP AND F-1867MP)
 UNLESS OTHERWISE NOTED.
- FINISH: ANSI 61 GREY
- ALL DIMENSIONS ARE FOR REFERENCE ONLY AND SHOWN IN INCHES (MILLIMETERS).
- CONSTRUCTION PER UL 1008
- FOR INSTALLATION, REFER TO SHEET NO. 4.
- A ZTSCT 100A-400A WHEN ORDERED WITH COMPRESSION LUG OPTION WILL REQUIRE A LARGER ENCLOSURE OF 74"H X 40"W X 19.5"D

CABINET DIMENSIONS								
CABINET	A	B	C	D	E	F	G	H
F-1868MP	70 (1778)	40 (1016)	19 3/4 (502)	15 1/2 (394)	34 (864)	38 (965)	35 (889)	11 (279)
F-1875MP	46 (1168)	24 (610)	14 1/4 (362)	--	18 (457)	--	19 (483)	6 (152)
F-1867MP	62 (1575)	24 (610)	19 1/2 (495)	15 1/2 (394)	18 (457)	22 (559)	19 (483)	14 1/2 (368)

REVISIONS			
REV.	DESCRIPTION	DATE	APPROVED
C	S-8823	1/27/10	PM

MODEL	AMPERAGE	NO. POLES	ENCLOSURE PART #	LUG RANGE	WIRE BENDING SPACE		WIRE GUTTERS	
					P(TOP)	R(BOTTOM)	S(LEFT)	T(RIGHT)
ZTE	40-150	2,3	F-1875MP	#8-3/0 (8-85mm ²)	18 (457)	19 (483)	6 1/2 (165)	8 7/8 (225)
		4	7 1/2 (190)					
	225-400	2	F-1875MP	#4-600 MCM (21-304mm ²)	14 3/4 (375)	14 5/8 (371)	4 7/8 (124)	7 5/8 (194)
		3						4 5/8 (117)
		4						2 3/4 (70)
	600	2,3	F-1868MP	(QTY 2) #2-600 MCM (33-304mm ²)	18 1/2 (470)	18 (457)	19 3/8 (492)	1 1/8 (29)
		4						13 (330)
	800	2,3	F-1868MP	(QTY 4) #2-600 MCM (33-304mm ²)	18 1/2 (470)	18 (457)	17 1/8 (435)	10 3/4 (273)
4		10 3/4 (273)						
ZTED	40 - 80	2	F-1875MP	#8-3/0 (8-85mm ²)	14 3/4 (375)	14 5/8 (371)	4 7/8 (124)	7 5/8 (194)
		3						4 5/8 (117)
		4						2 3/4 (70)
	100-400	2	F-1875MP	#4-600 MCM (21-304mm ²)	14 3/4 (375)	14 5/8 (371)	4 7/8 (124)	7 5/8 (194)
		3						4 5/8 (117)
		4						2 3/4 (70)
	600	2,3	F-1868MP	(QTY 2) #2-600 MCM (33-304mm ²)	18 3/4 (476)	18 1/2 (470)	17 5/8 (448)	2 7/8 (73)
		4						11 1/4 (286)
800	2,3	F-1868MP	(QTY 4) #2-600 MCM (33-304mm ²)	18 3/4 (476)	18 1/2 (470)	15 3/8 (391)	9 (229)	
	4						9 (229)	
ZTECT	100-400	3	F-1867MP	(QTY 1) #4-600 MCM (33-304mm ²)	15 (381)	13 3/4 (349)	5 (127)	5 3/8 (136)
		4	3 1/2 (89)					
	600	2,3	F-1868MP	(QTY 2) #2-600 MCM (33-304mm ²)	18 3/4 (476)	18 1/2 (470)	17 5/8 (448)	2 7/8 (73)
		4						11 1/4 (286)
	800	2,3	F-1868MP	(QTY 4) #2-600 MCM (33-304mm ²)	18 3/4 (476)	18 1/2 (470)	15 3/8 (391)	9 (229)
		4						9 (229)

SIGNATURES	DATE
MODEL EC	01/15/08
DETAIL	
CHECKED	
ENGRG	
MFG	
QUALITY	
ISSUED	
DRAWING FILE: 90c-1034-c-2.dwg	
MODEL / ASSEMBLY FILE: ZTE(D/CT) (40-800 AMP)	
# CTQs	

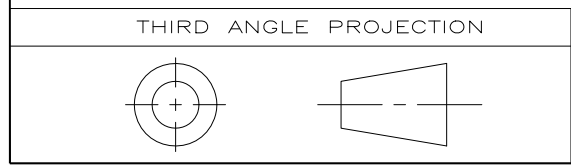
GE Zenith Controls

TITLE: ZTE(D/CT) 40-800 AMP
DIM. DWG. NEMA 3R, 4 & 12

FIRST MADE FOR: ZTE(D/CT) 40-800 AMP, NEMA-3R, 4 & 12

SIZE: B CAGE CODE: DWG NO: 90C-1034

SCALE: N/A SHEET 2 OF 4



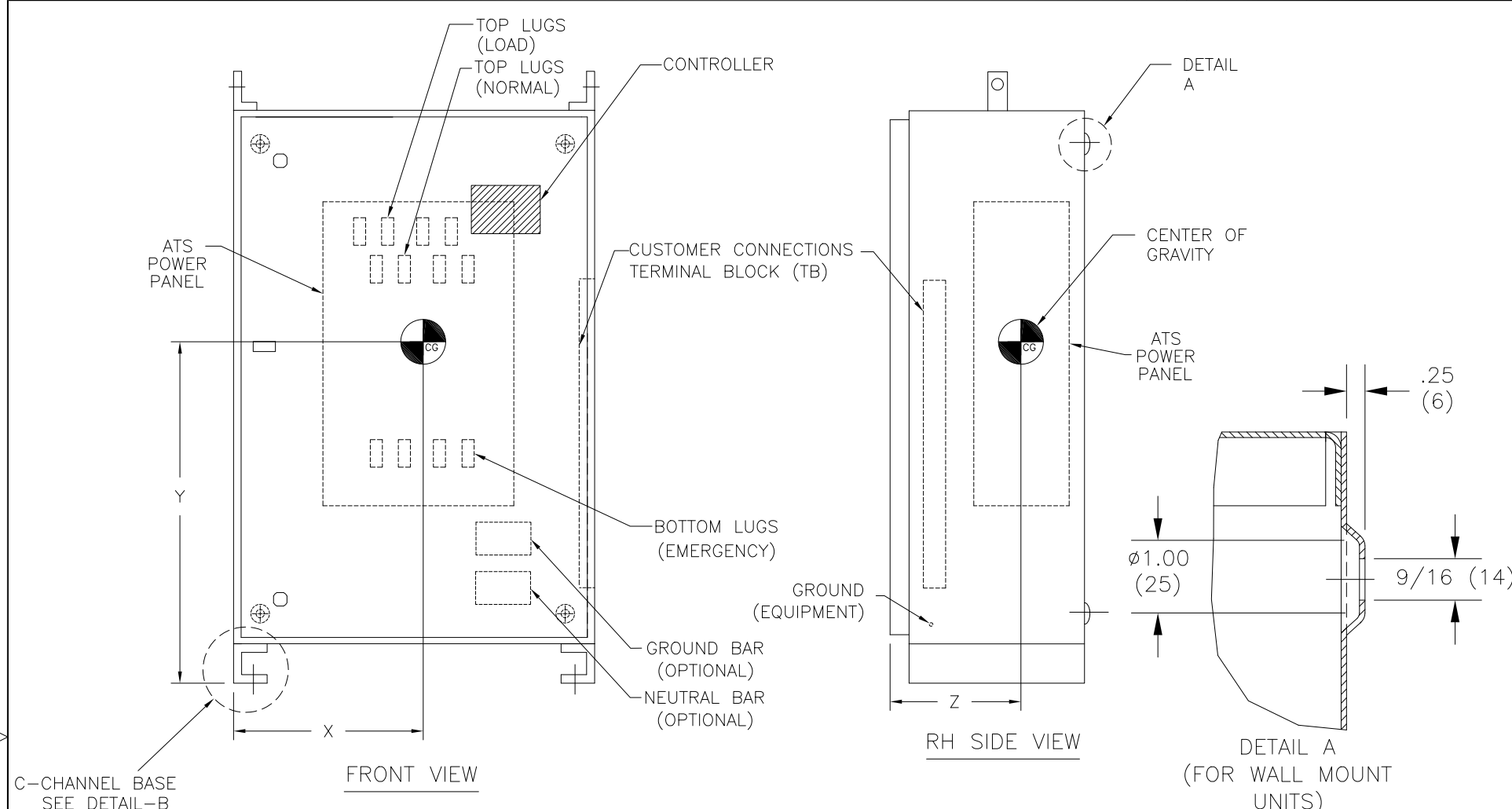
THIRD ANGLE PROJECTION

GE PROPRIETARY AND CONFIDENTIAL INFORMATION

This document is the property of General Electric Company ("GE") and contains proprietary information of GE. This document is loaned on the express condition that neither it nor the information contained therein shall be disclosed to others without the express written consent of GE Industrial Systems, and that the information shall be used by the recipient only as approved expressly by GE Industrial Systems. This document shall be returned to GE upon its request. This document may be subject to certain restrictions under U.S. export control laws and regulations.

AutoCad Generated



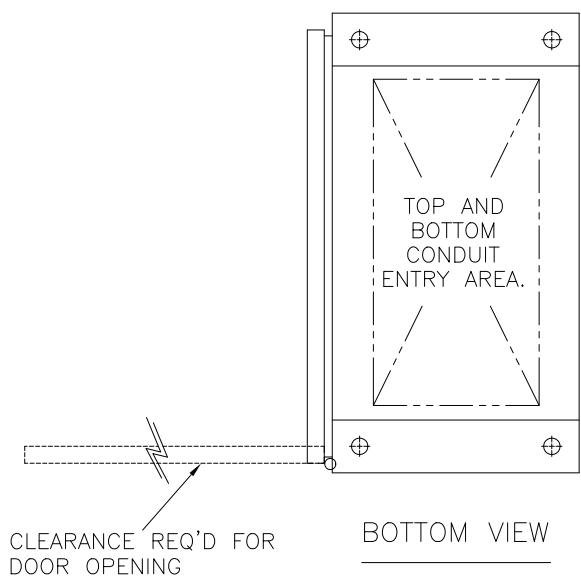
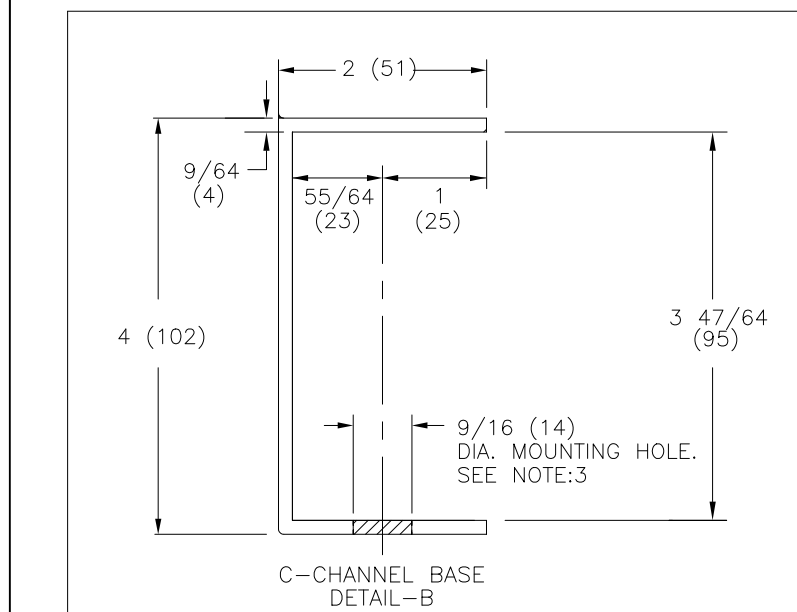


REVISIONS			
REV.	DESCRIPTION	DATE	APPROVED
C	S-8823 REVISED DRW	1/27/10	PM

NOTES:
 1. ALL DIMENSIONS ARE FOR REFERENCE ONLY AND SHOWN IN INCHES (MILLIMETERS).
 2. SEISMIC DATA OF MOST VULNERABLE ATS CONSTRUCTION WITHIN SERIES.

MAXIMUM DEFLECTION AT TOP OF GEAR:	dss=0.69 INCHES (18 mm) dfb=0.21 INCHES (5 mm)
QUALIFIED BY:	TIME HISTORY SHAKE TABLE TEST IEEE-693-2005-HIGHx2.5 (64 mm) IBC-2003-300%G
RESONANCE FREQUENCIES:	fss=10.9 Hz ffb=19.5 Hz fv>33.0 Hz
MAXIMUM REACTION TO ANY BOLT:	Vss=945 LBS (430 KG) SHEAR (DEAD LOAD +/- SEISMIC) Vfb=945 LBS (430 KG) SHEAR Tv=1872 LBS (851 KG) UP Pv=2613 LBS (1188 KG) DOWN

- BOLT ENCLOSURE FROM C-CHANNEL BASE (SEE DETAIL B) OR WALL MOUNT (SEE DETAIL A) USING THE FOLLOWING SEISMIC CERTIFIED MOUNTING HARDWARE PER MOUNTING HOLE: (HARDWARE PROVIDED BY INSTALLER).
 - 1/2-13 GRADE 5 BOLT TORQUE TO 70 FT-LBS. (95 NEWTON METERS).
 - US STANDARD HIGH STRENGTH ZINC-PLATED FLAT WASHER 5/8 (16) I.D. AND 1-1/2 (38) O.D.
 - 1/2 (13) HELICAL SPRING LOCK WASHER.
- CENTER OF GRAVITY DIMENSIONS ARE FOR REFERENCE ONLY.
- SWITCH IS DESIGNED FOR BOTH TOP AND BOTTOM CABLE ENTRY. STANDARD SWITCH CONFIGURATION IS FOR TOP LUGS LOAD AND NORMAL AND BOTTOM LUGS EMERGENCY. REFER SHEET 1 TO 3 FOR CABLE BENDING SPACE AND GUTTER SPACE DETAILS.
- SWITCH SUPPLIED WITH STANDARD MECHANICAL LUG. REFER SHEET 1 TO 3 FOR LUG DETAILS
- ALL CONTROL WIRES (18-12 AWG) MUST BE TORQUED TO 19 in-lbs. (2 N-m)
- LUG TORQUE ARE APPLICABLE FOR CU & AL CABLES.
- FOR WORKING CLEARANCE REFER TO NATIONAL AND LOCAL CODES AND STANDARDS.
- NEMA 4(X) AND 12 ENCLOSURE TYPE ATS WILL COME WITH WINDOW KIT (NOT SHOWN).



SOCKET SIZE ACROSS FLATS	TORQUE	
	Lb-Ft	N-m
1/8	4	5.4
5/32	8	10.9
3/16	10	13.6
7/32	12	16.3
1/4	17	23.1
5/16	23	31.2
3/8	31	42.1
1/2	42	57.0
9/16	50	67.9

AMP	POLE	WEIGHT LB(kg)	CENTER OF GRAVITY in(mm)		
			X	Y	Z
40-225	2,3	120(59)	11.3 (287)	23.2 (589)	10.8 (274)
	4	126(57)			
*100-400	3	125(57)	12.7 (322)	10.9 (277)	43.6 (1107)
	4	146(66)			
260-400	2,3	168(76)	11.6 (295)	23.0 (584)	8.0 (203)
	4	180(82)			
600	3	410(186)	23.5 (557)	34.0 (864)	11.5 (292)
	4	440(200)			
800	3	460(209)	22.0 (559)	35.0 (889)	12.0 (305)
	4	490(223)			

* FOR ZTSCT 100-400A MODELS ONLY

SIGNATURES		DATE
MODEL	EC	01/15/08
DETAIL		
CHECKED		
ENGRG		
MFG		
QUALITY		
ISSUED		
DRAWING FILE:	90c-1034-c-4.dwg	
MODEL / ASSEMBLY FILE:	ZTE(D/CT) (40-800 AMP)	
# CTQs	CRITICAL TO QUALITY CHARACTERISTIC	

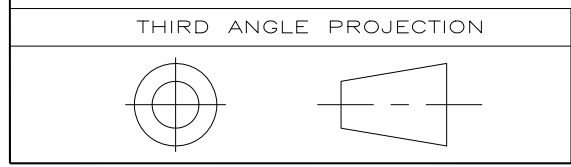
GE Zenith Controls

TITLE: ZTE(D/CT) 40-800A INSTALLATION DRAWING

FIRST MADE FOR: FOR NEMA 1, 3R, 4, 4X & 12 ENCLOSURE TYPE

SIZE: B CAGE CODE: DWG NO: 90C-1034

SCALE: N/A SHEET 4 OF 4



GE PROPRIETARY AND CONFIDENTIAL INFORMATION

This document is the property of General Electric Company ("GE") and contains proprietary information of GE. This document is loaned on the express condition that neither it nor the information contained therein shall be disclosed to others without the express written consent of GE Industrial Systems, and that the information shall be used by the recipient only as approved expressly by GE Industrial Systems. This document shall be returned to GE upon its request. This document may be subject to certain restrictions under U.S. export control laws and regulations.

AutoCad Generated