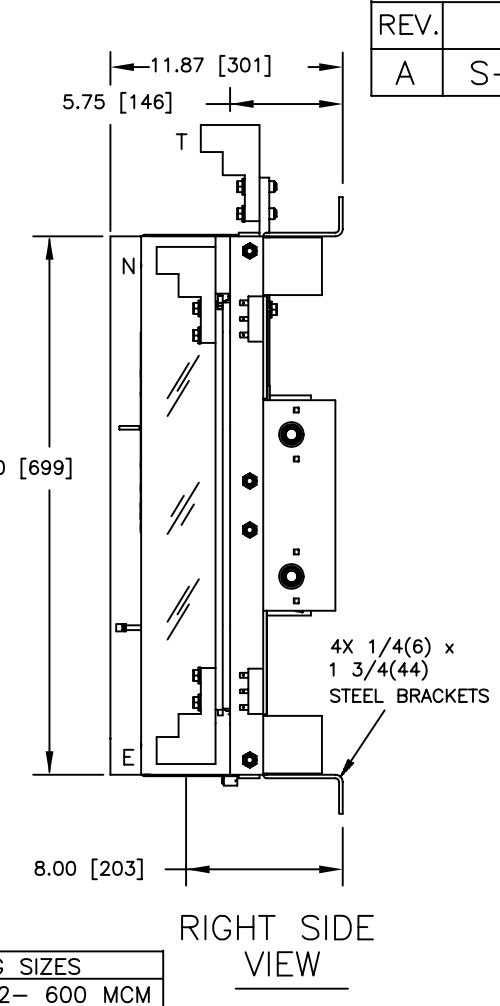
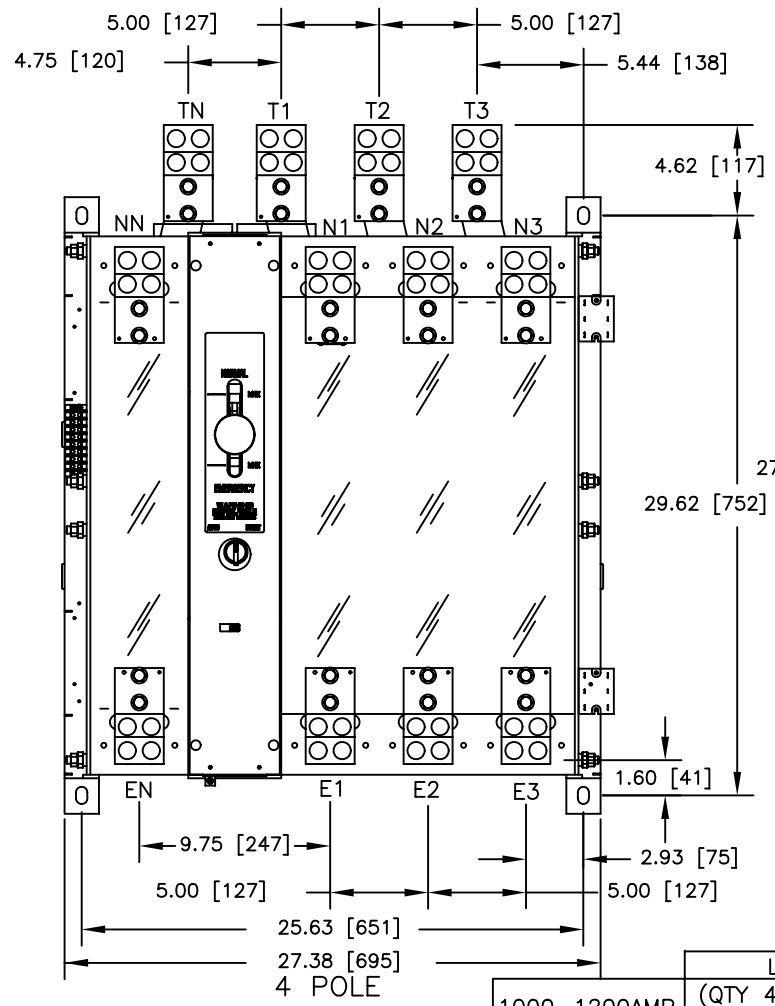
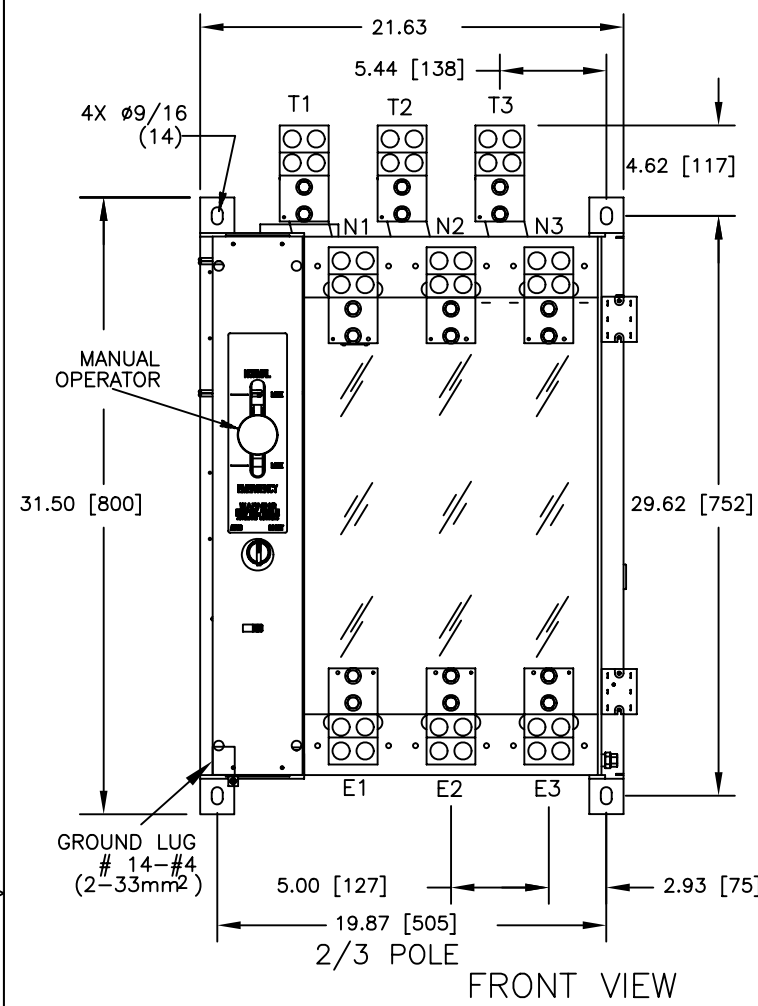
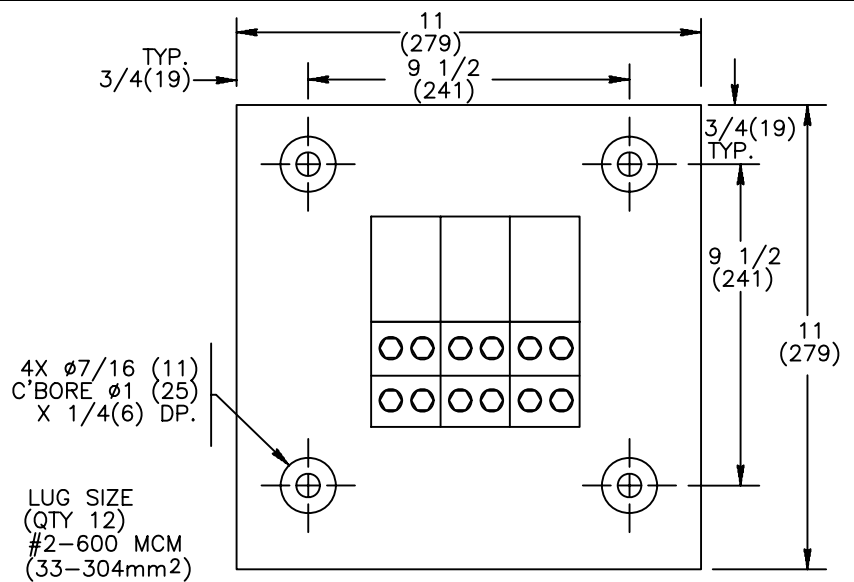


REVISIONS			
REV.	DESCRIPTION	DATE	APPROVED
A	S-8713-2 ESTABLISHED DWG.	02/21/08	JLM YP



- NOTES:**
- FOR 2-POLE SWITCHES, OMIT CENTER POLE.
  - OPEN TYPE SWITCH SUPPLIED WITH 6 FT. (1.8m) LONG HARNESS BETWEEN POWER AND CONTROL PANELS. HARNESS EXITS FROM LOWER RIGHT CORNER OF POWER PANEL.
  - DO NOT RUN CABLES IN FRONT OF SWITCH. RUN ALL CABLES ON RIGHT SIDE.
  - MAINTAIN ELECTRICAL CLEARANCE OF 1(25mm) MIN. BETWEEN LIVE METAL PARTS AND GROUNDED METAL.
  - DIMENSIONS FOR 3-POLE AND 4-POLE SWITCHES ARE IDENTICAL EXCEPT AS NOTED.
  - ALL DIMENSIONS ARE FOR REFERENCE ONLY AND SHOWN IN INCHES(MILLIMETERS).
  - SEE "DOOR DETAIL" & "CONTROL PANEL" DIMENSIONS ON SHEET 3.

LUG SIZES	
1000-1200AMP	(QTY 4)#2- 600 MCM (33-304mm <sup>2</sup> )



NEUTRAL BAR ASSEMBLY MOUNTING DETAIL

SIGNATURES		DATE
MODEL	SG	02/21/08
DETAIL		
CHECKED		
ENGRG	SB	02/21/08
MFG		
QUALITY		
ISSUED		
DRAWING FILE:	90c-2003-a-1.dwg	
MODEL / ASSEMBLY FILE:	ZTEL 1000-1200AMP	
# CTQs	⊖ CRITICAL TO QUALITY CHARACTERISTIC	

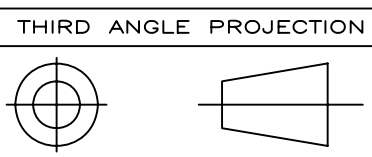
**GE Zenith Controls**

TITLE: ZTEL 1000-1200AMP OPEN STYLE - FRONT LUGS

FIRST MADE FOR: ZTEL 1000-1200AMP

SIZE	CAGE CODE	DWG NO
B		90C-2003

SCALE: N/A SHEET 1 OF 3

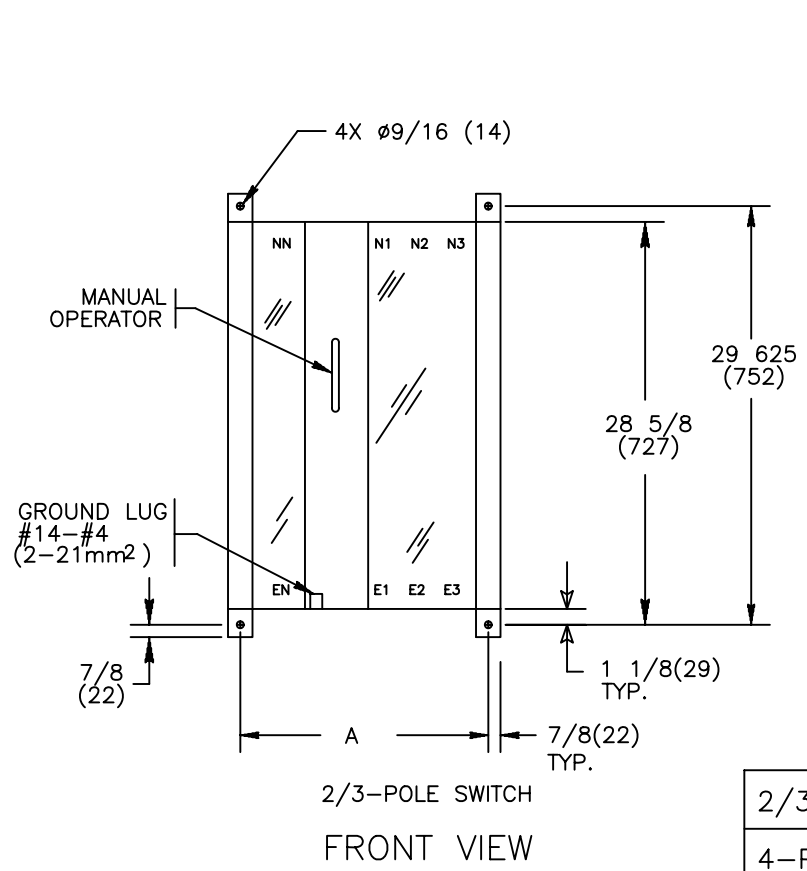


GE PROPRIETARY AND CONFIDENTIAL INFORMATION

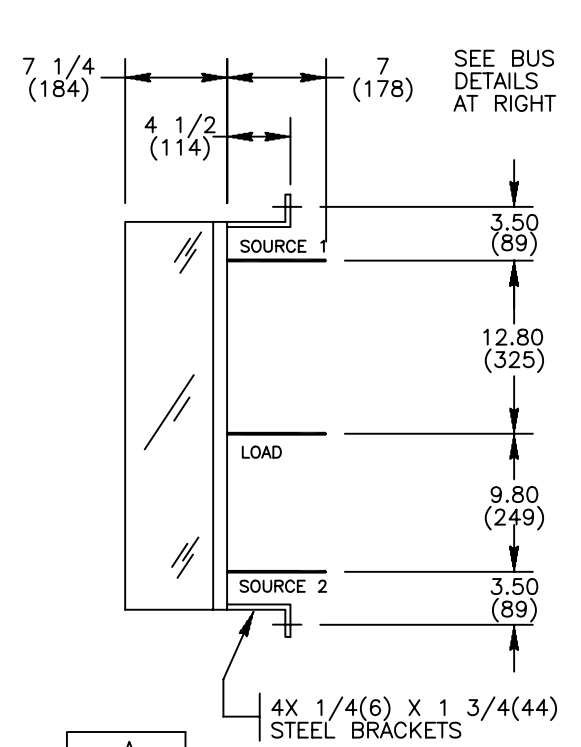
This document is the property of General Electric Company ("GE") and contains proprietary information of GE. This document is loaned on the express condition that neither it nor the information contained therein shall be disclosed to others without the express written consent of GE Industrial Systems, and that the information shall be used by the recipient only as approved expressly by GE Industrial Systems. This document shall be returned to GE upon its request. This document may be subject to certain restrictions under U.S. export control laws and regulations.

AutoCad Generated

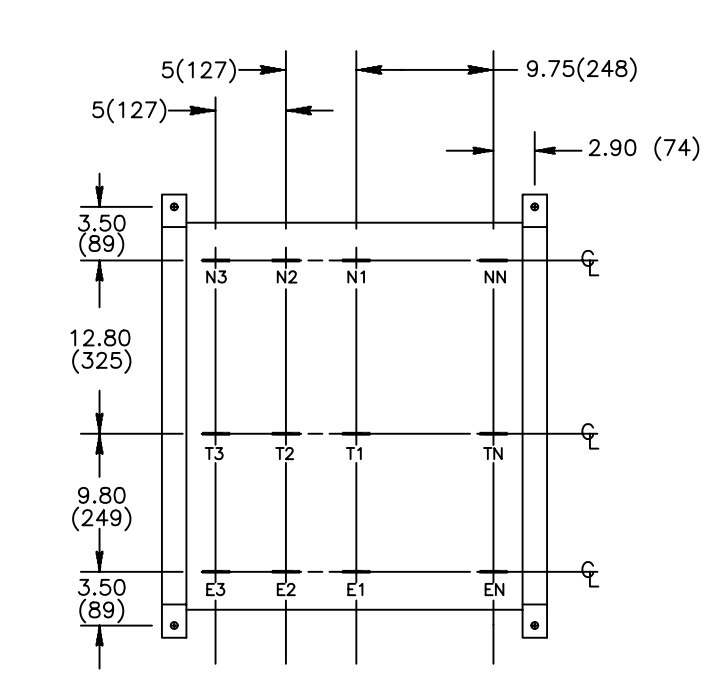
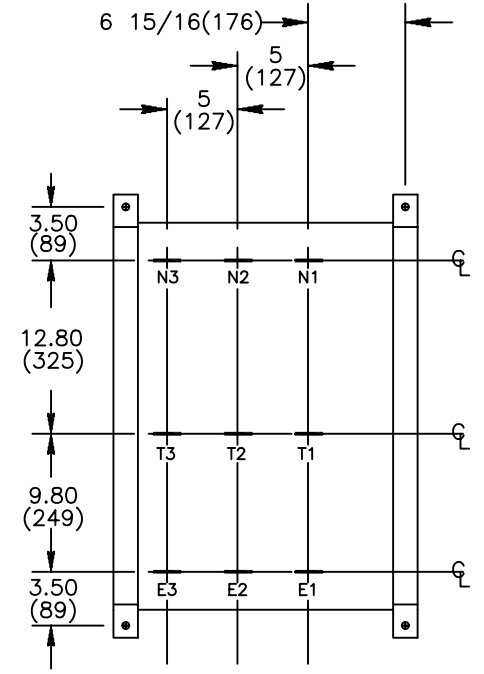
REVISIONS			
REV.	DESCRIPTION	DATE	APPROVED
A	S-8713-2 ESTABLISHED DWG.	02/21/08	JLM YP



	A
2/3-POLE	19 7/8 (505)
4-POLE	25 5/8 (651)



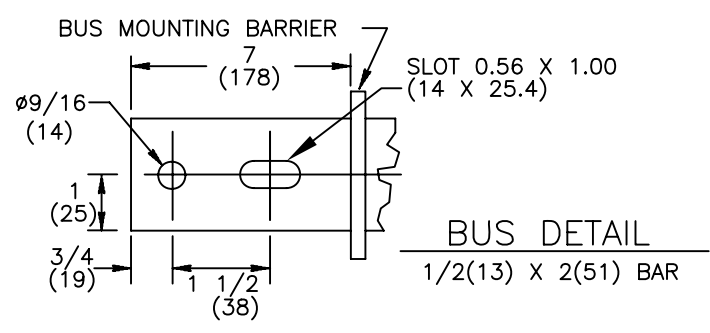
4-POLE SWITCH  
BUS DETAILS (REAR VIEW)



BUS DETAILS (REAR VIEW)

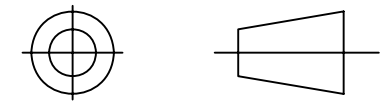
**NOTES:**

- FOR 2-POLE SWITCHES, OMIT CENTER POLE.
- OPEN TYPE SWITCH SUPPLIED WITH 6 FT. (1.8m) LONG HARNESS BETWEEN POWER AND CONTROL PANELS. HARNESS EXITS FROM LOWER RIGHT CORNER OF POWER PANEL.
- DO NOT RUN CABLES IN FRONT OF SWITCH. RUN ALL CABLES ON RIGHT SIDE.
- MAINTAIN ELECTRICAL CLEARANCE OF 1(25mm) MIN. BETWEEN LIVE METAL PARTS AND GROUNDED METAL.
- DIMENSIONS FOR 3-POLE AND 4-POLE SWITCHES ARE IDENTICAL EXCEPT AS NOTED.
- ALL DIMENSIONS ARE FOR REFERENCE ONLY AND SHOWN IN INCHES(MILLIMETERS).
- SEE "DOOR DETAIL" & "CONTROL PANEL" DIMENSIONS ON SHEET 3.



BUS DETAIL  
1/2(13) X 2(51) BAR

THIRD ANGLE PROJECTION



GE PROPRIETARY AND CONFIDENTIAL INFORMATION

This document is the property of General Electric Company ("GE") and contains proprietary information of GE. This document is loaned on the express condition that neither it nor the information contained therein shall be disclosed to others without the express written consent of GE Industrial Systems, and that the information shall be used by the recipient only as approved expressly by GE Industrial Systems. This document shall be returned to GE upon its request. This document may be subject to certain restrictions under U.S. export control laws and regulations.

AutoCad Generated

SIGNATURES		DATE
MODEL	GG	02/21/08
DETAIL		
CHECKED		
ENGRG	MF	
MFG		
QUALITY		
ISSUED		
DRAWING FILE:	90c-2003-a-2.dwg	
MODEL / ASSEMBLY FILE:	ZTE 1000-1200 AMP 2, 3 & 4 POLE	
# CTQs		

**GE Zenith Controls**

TITLE  
ZTE 1000A-1200A 2,3,4 POLE  
OPEN STYLE - REAR BUS

FIRST MADE FOR: ZTE 1000-1200 AMP 2, 3 & 4 POLE

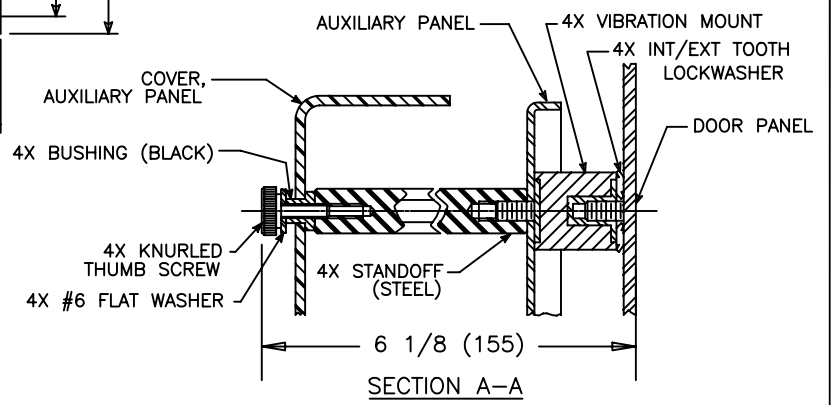
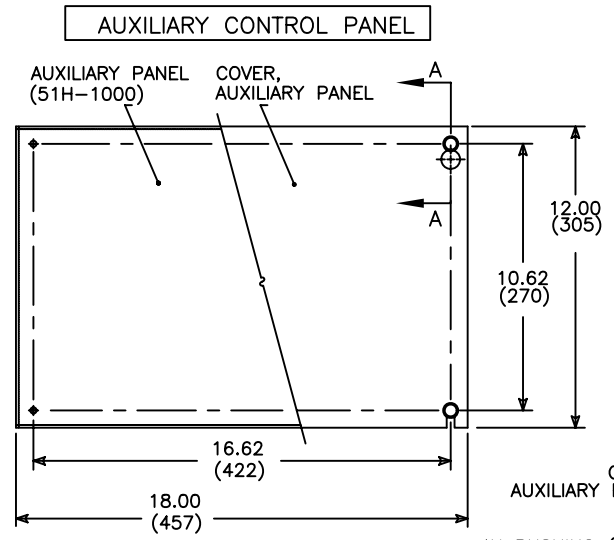
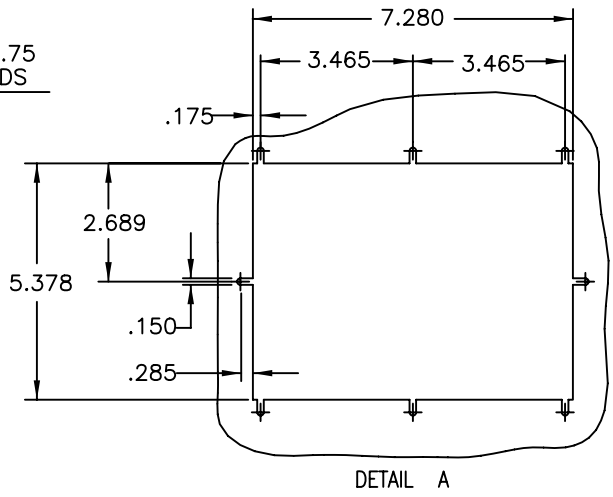
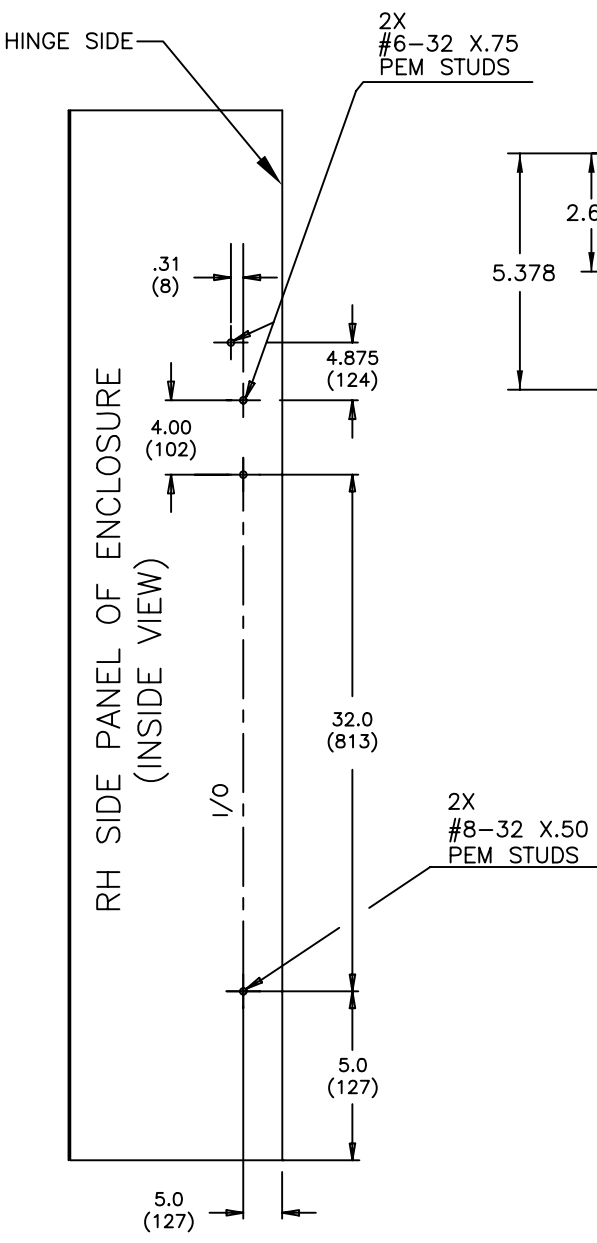
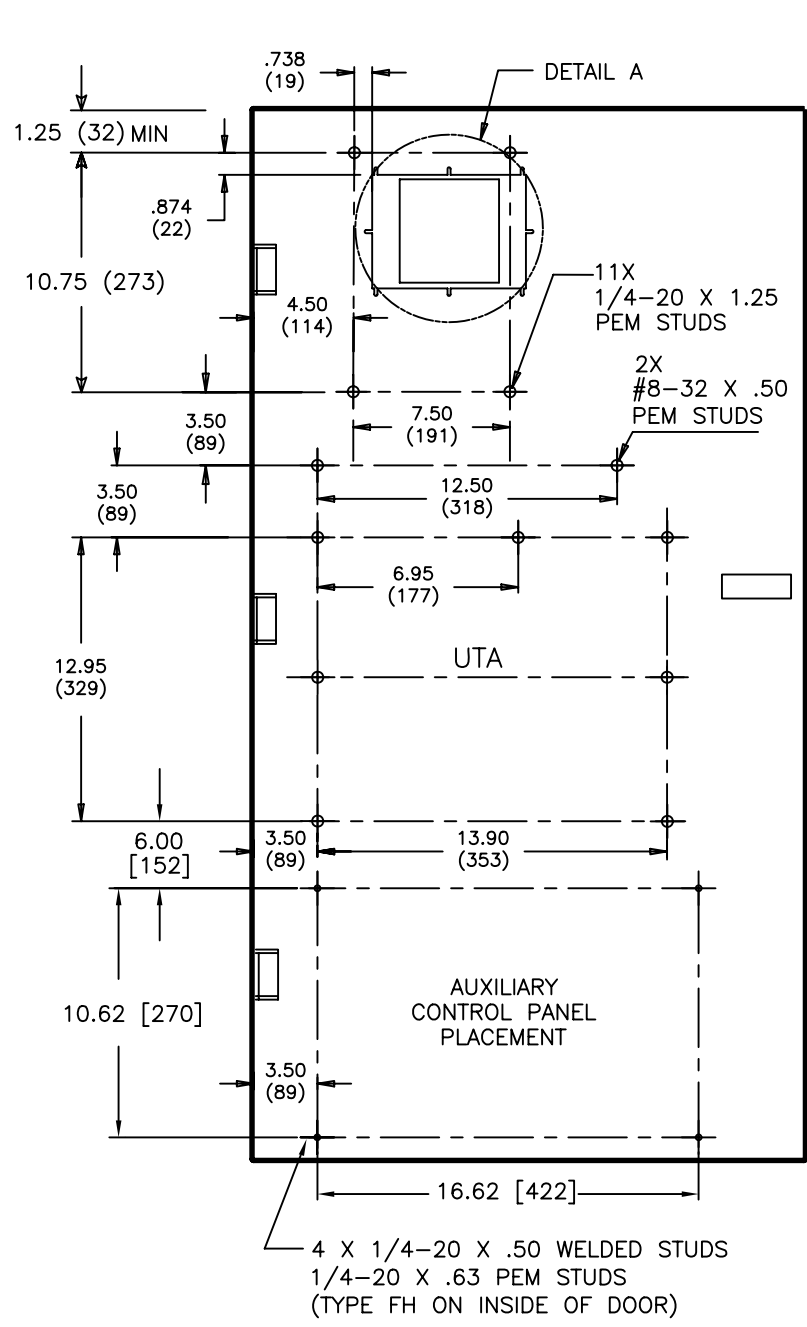
SIZE	CAGE CODE	DWG NO
B		90C-2003

SCALE: N/A SHEET 2 OF 3

DOOR DETAIL (INSIDE VIEW)

REVISIONS			
REV.	DESCRIPTION	DATE	APPROVED
A	S-8713-2 ESTABLISHED DWG	02/21/08	JLM YP

- NOTES:**
- FOR 2-POLE SWITCHES, OMIT CENTER POLE.
  - OPEN TYPE SWITCH SUPPLIED WITH 6 FT. (1.8m) LONG HARNESS BETWEEN POWER AND CONTROL PANELS. HARNESS EXITS FROM LOWER RIGHT CORNER OF POWER PANEL.
  - DO NOT RUN CABLES IN FRONT OF SWITCH. RUN ALL CABLES ON RIGHT SIDE.
  - MAINTAIN ELECTRICAL CLEARANCE OF 1(25mm) MIN. BETWEEN LIVE METAL PARTS AND GROUNDED METAL.
  - DIMENSIONS FOR 3-POLE AND 4-POLE SWITCHES ARE IDENTICAL EXCEPT AS NOTED.
  - ALL DIMENSIONS ARE FOR REFERENCE ONLY AND SHOWN IN INCHES(MILLIMETERS).
  - SEE "DOOR DETAIL" & "CONTROL PANEL" DIMENSIONS ON SHEET 3.



SIGNATURES		DATE
MODEL	GG	02/21/08
DETAIL		
CHECKED		
ENGRG	MF	
MFG		
QUALITY		
ISSUED		
DRAWING FILE:	90c-2003-a-3.dwg	
MODEL / ASSEMBLY FILE:	ZTE 1000-1200 AMP 2,3 & 4 POLE	
# CTQs	CRITICAL TO QUALITY CHARACTERISTIC	

**GE Zenith Controls**

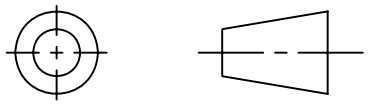
TITLE  
 ZTE 1000A-1200A 2,3,4 POLE  
 OPEN STYLE - DOOR LAYOUT

FIRST MADE FOR: ZTE 1000-1200 AMP 2, 3 & 4 POLE

SIZE	CAGE CODE	DWG NO
B		90C-2003

SCALE: N/A SHEET 3 OF 3

THIRD ANGLE PROJECTION



GE PROPRIETARY AND CONFIDENTIAL INFORMATION

This document is the property of General Electric Company ("GE") and contains proprietary information of GE. This document is loaned on the express condition that neither it nor the information contained therein shall be disclosed to others without the express written consent of GE Industrial Systems, and that the information shall be used by the recipient only as approved expressly by GE Industrial Systems. This document shall be returned to GE upon its request. This document may be subject to certain restrictions under U.S. export control laws and regulations.

AutoCad Generated