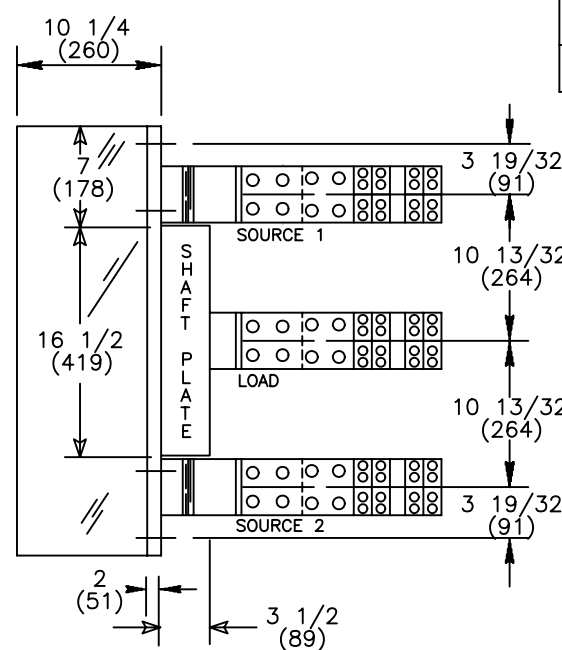
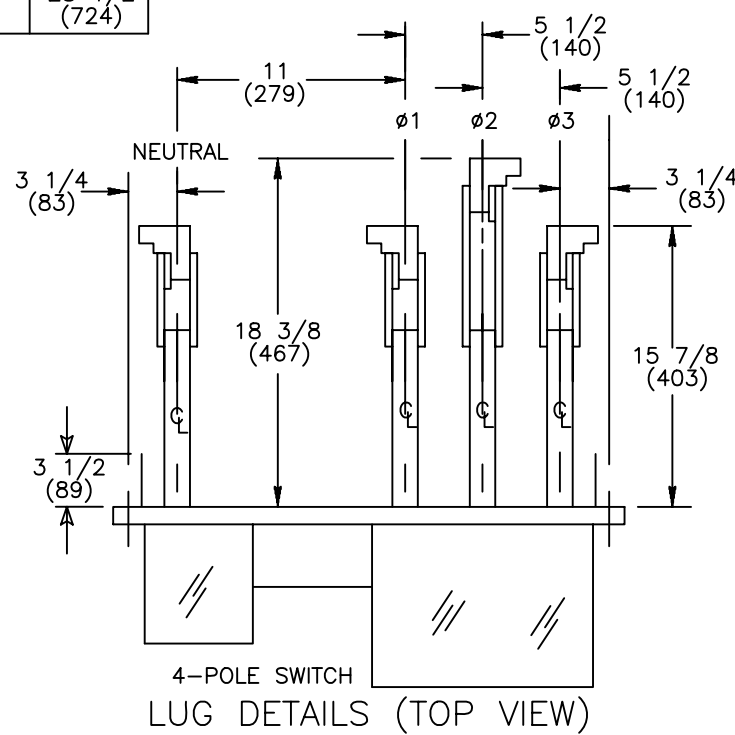
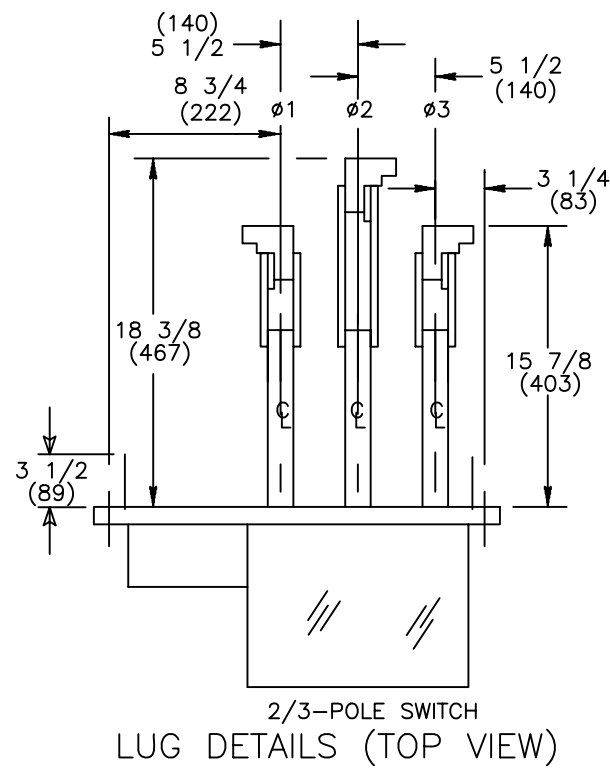


FRONT VIEW



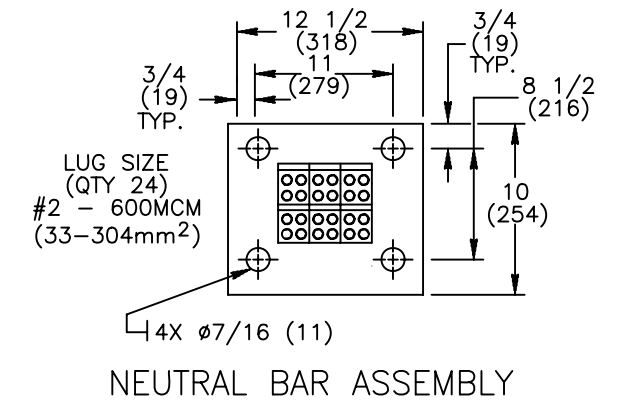
RIGHT SIDE VIEW

	A
2/3-POLE	23 (584)
4-POLE	28 1/2 (724)



	LUG SIZE
3000 AMP	(QTY 8) #2- 600 MCM (33-304mm²)

REVISIONS			
REV.	DESCRIPTION	DATE	APPROVED
A	S-8713-2 ESTABLISHED DWG.	02/21/08	JLM YP



NEUTRAL BAR ASSEMBLY

NOTES:

- FOR 2-POLE SWITCHES, OMIT CENTER POLE.
- OPEN TYPE SWITCH SUPPLIED WITH 6 FT. (1.8m) LONG HARNESS BETWEEN POWER AND CONTROL PANELS. HARNESS EXITS FROM LOWER RIGHT CORNER OF POWER PANEL.
- DO NOT RUN CABLES IN FRONT OF SWITCH. RUN ALL CABLES ON RIGHT SIDE.
- MAINTAIN ELECTRICAL CLEARANCE OF 1(25mm) MIN. BETWEEN LIVE METAL PARTS AND GROUNDED METAL.
- ALL DIMENSIONS ARE FOR REFERENCE ONLY AND SHOWN IN INCHES(MILLIMETERS).

SIGNATURES		DATE
MODEL	SG	02/21/08
DETAIL		
CHECKED		
ENGRG	SB	02/21/08
MFG		
QUALITY		
ISSUED		
DRAWING FILE:	90c-2005-a-1.dwg	
MODEL / ASSEMBLY FILE:	ZTE 3000 AMP 2, 3 & 4 POLE	
# CTQs	⊖ CRITICAL TO QUALITY CHARACTERISTIC	



GE Zenith Controls

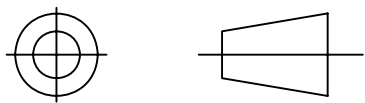
TITLE
ZTE 3000 AMP 2,3,4 POLE
OPEN STYLE - REAR LUGS

FIRST MADE FOR: ZTE 3000 AMP 2, 3 & 4 POLE

SIZE	CAGE CODE	DWG NO
B		90C-2005

SCALE: N/A SHEET 1 OF 3

THIRD ANGLE PROJECTION

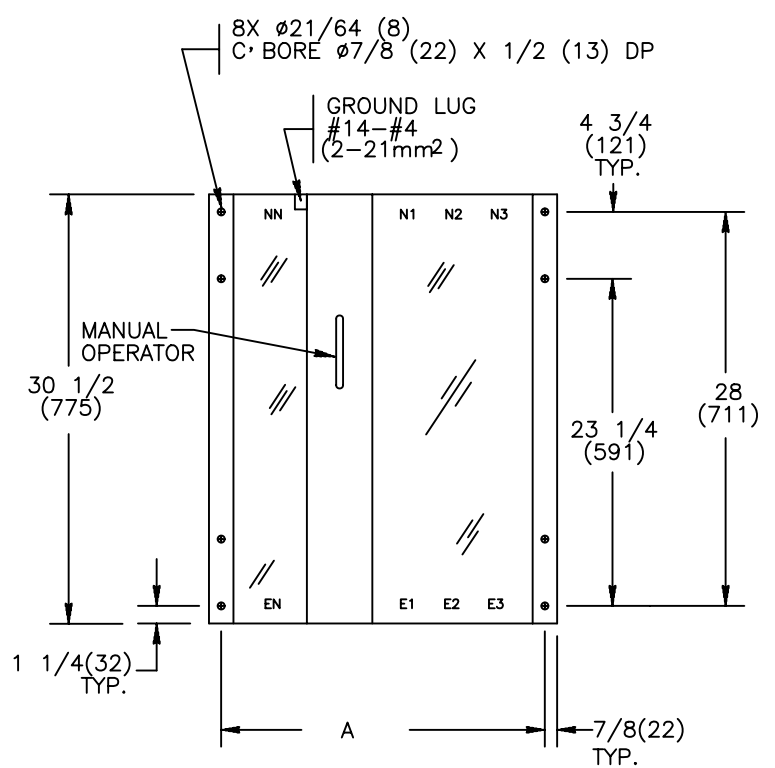


GE PROPRIETARY AND CONFIDENTIAL INFORMATION

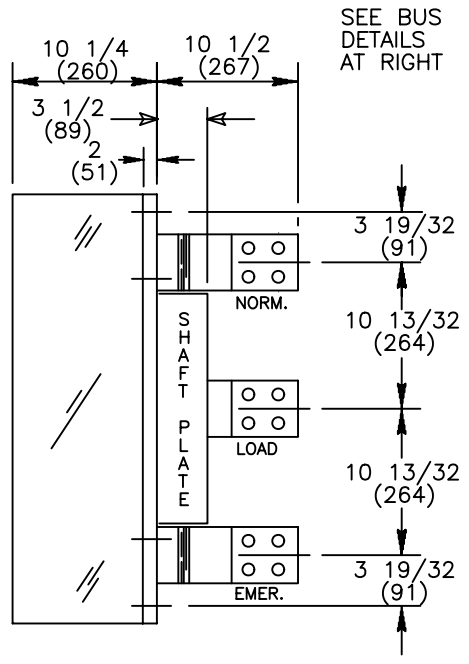
This document is the property of General Electric Company ("GE") and contains proprietary information of GE. This document is loaned on the express condition that neither it nor the information contained therein shall be disclosed to others without the express written consent of GE Industrial Systems, and that the information shall be used by the recipient only as approved expressly by GE Industrial Systems. This document shall be returned to GE upon its request. This document may be subject to certain restrictions under U.S. export control laws and regulations.

AutoCad Generated

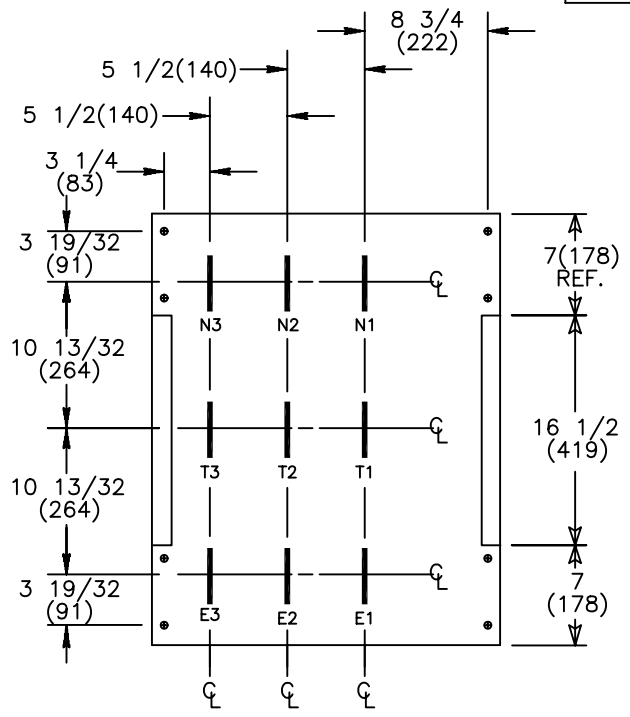
REVISIONS			
REV.	DESCRIPTION	DATE	APPROVED
A	S-8713-2 ESTABLISHED DWG.	02/21/08	JLM YP



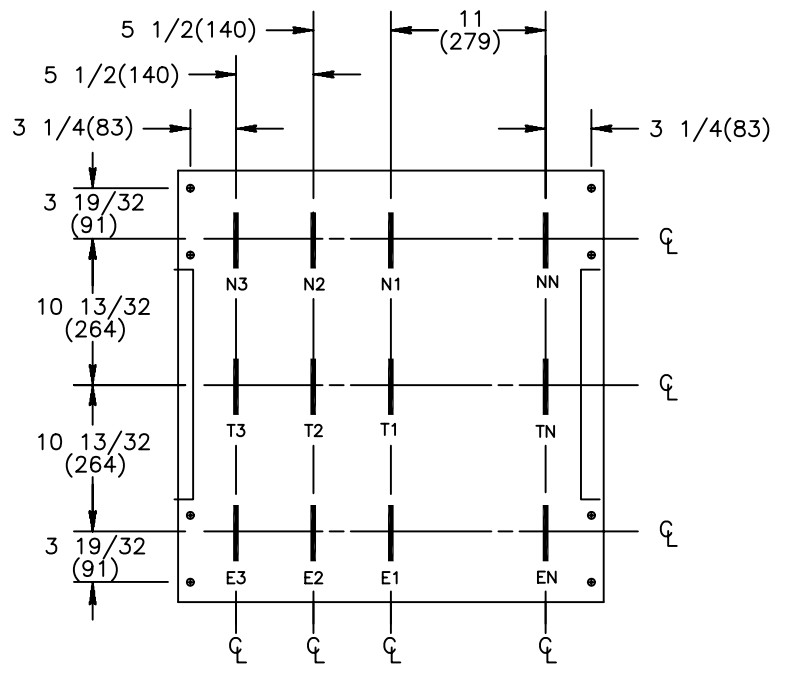
FRONT VIEW



RIGHT SIDE VIEW



2/3-POLE SWITCH
BUS DETAILS (REAR VIEW)

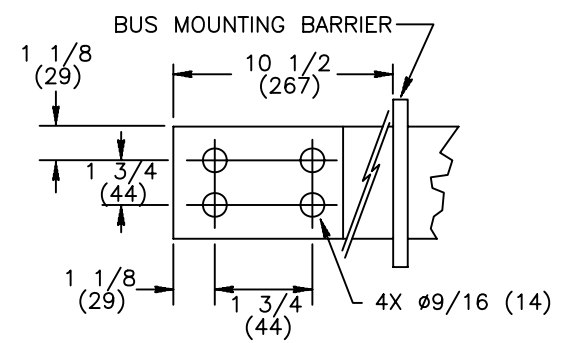


4-POLE SWITCH
BUS DETAILS (REAR VIEW)

	A
2/3-POLE	23 (584)
4-POLE	28 1/2 (724)

NOTES:

- FOR 2-POLE SWITCHES, OMIT CENTER POLE.
- OPEN TYPE SWITCH SUPPLIED WITH 6 FT. (1,8m) LONG HARNESS BETWEEN POWER AND CONTROL PANELS. HARNESS EXITS FROM LOWER RIGHT CORNER OF POWER PANEL.
- DO NOT RUN CABLES IN FRONT OF SWITCH. RUN ALL CABLES ON RIGHT SIDE.
- MAINTAIN ELECTRICAL CLEARANCE OF 1(25mm) MIN. BETWEEN LIVE METAL PARTS AND GROUNDED METAL.
- ALL DIMENSIONS ARE FOR REFERENCE ONLY AND SHOWN IN INCHES(MILLIMETERS).
- SEE "DOOR DETAIL" & "CONTROL PANEL" DIMENSIONS ON SHEET 3.



BUS DETAIL
1(25) X 4(102) BAR

SIGNATURES		DATE
MODEL	SG	02/21/08
DETAIL		
CHECKED		
ENGRG	SB	02/21/08
MFG		
QUALITY		
ISSUED		
DRAWING FILE:	90c-2005-a-2.dwg	
MODEL / ASSEMBLY FILE:	ZTE 3000 AMP 2, 3 & 4 POLE	
# CTQs	CRITICAL TO QUALITY CHARACTERISTIC	

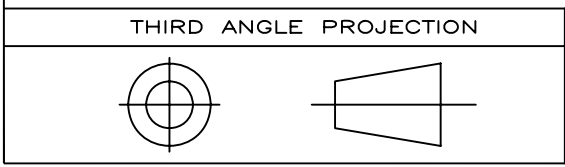
GE Zenith Controls

TITLE: ZTE 3000 AMP 2,3,4 POLE OPEN STYLE - REAR BUS

FIRST MADE FOR: ZTE 3000 AMP 2, 3 & 4 POLE

SIZE: B CAGE CODE: DWG NO: 90C-2005

SCALE: N/A SHEET 2 OF 3



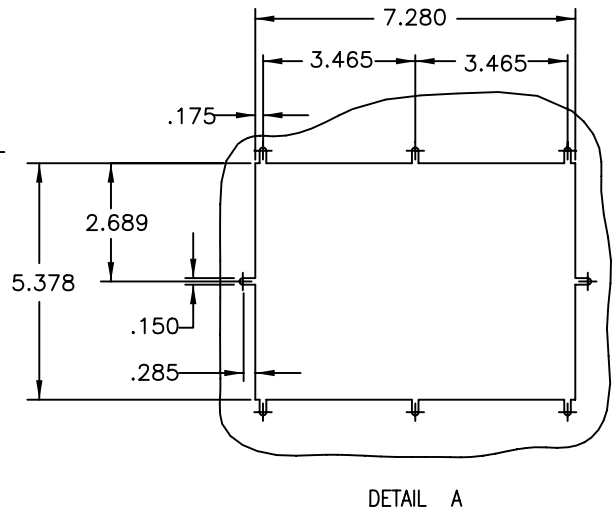
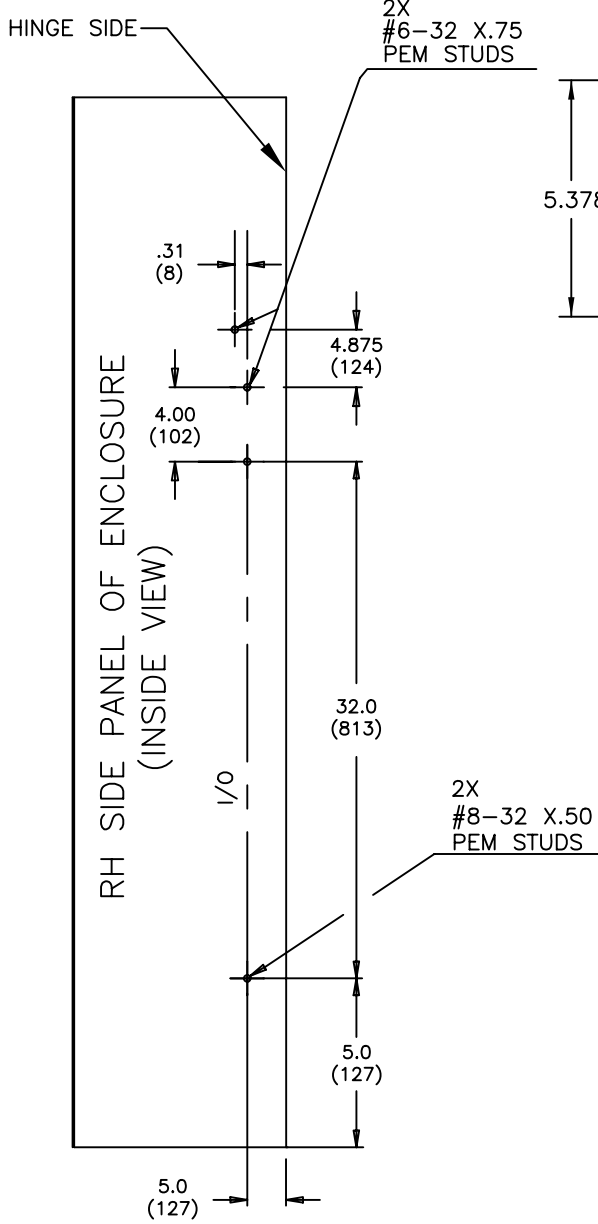
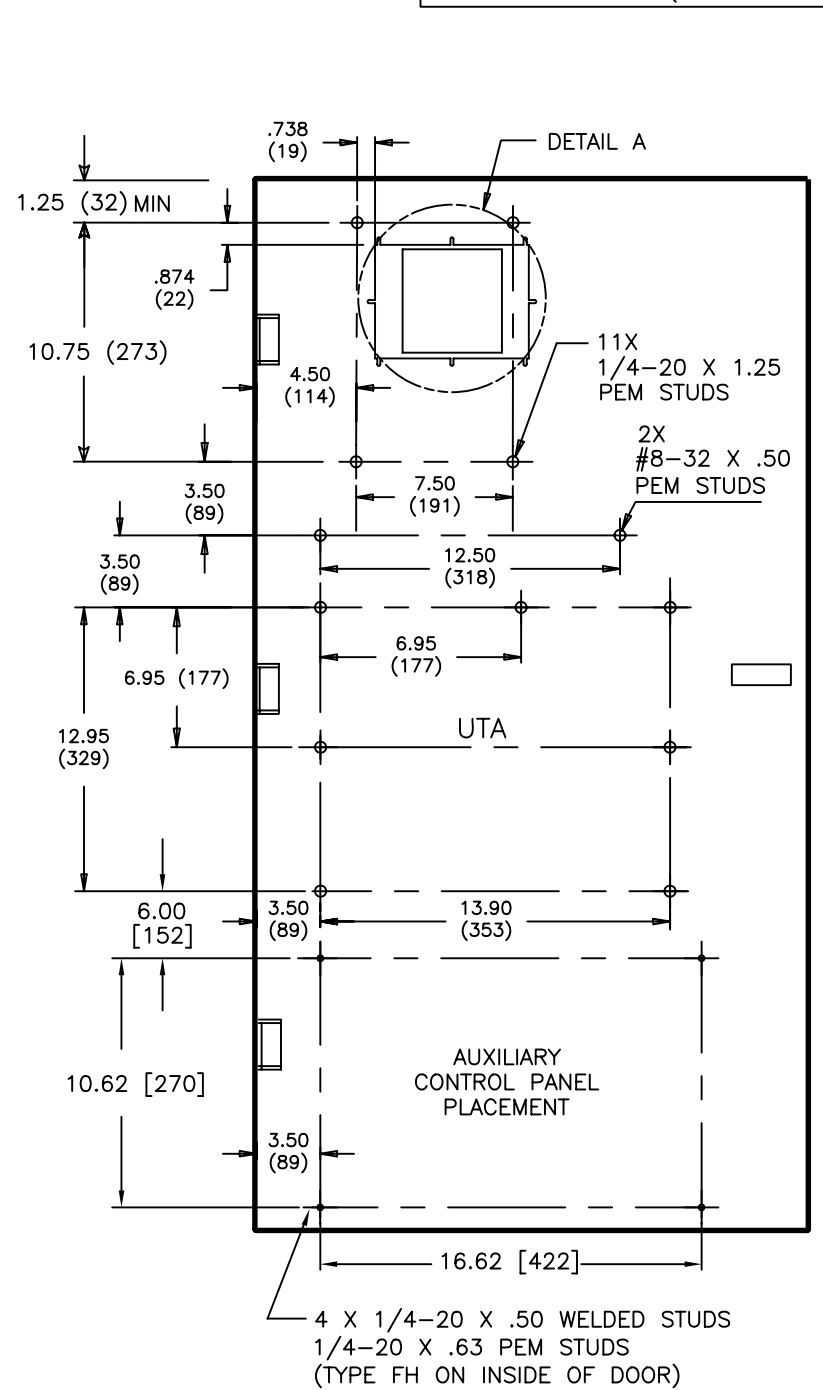
GE PROPRIETARY AND CONFIDENTIAL INFORMATION

This document is the property of General Electric Company ("GE") and contains proprietary information of GE. This document is loaned on the express condition that neither it nor the information contained therein shall be disclosed to others without the express written consent of GE Industrial Systems, and that the information shall be used by the recipient only as approved expressly by GE Industrial Systems. This document shall be returned to GE upon its request. This document may be subject to certain restrictions under U.S. export control laws and regulations.

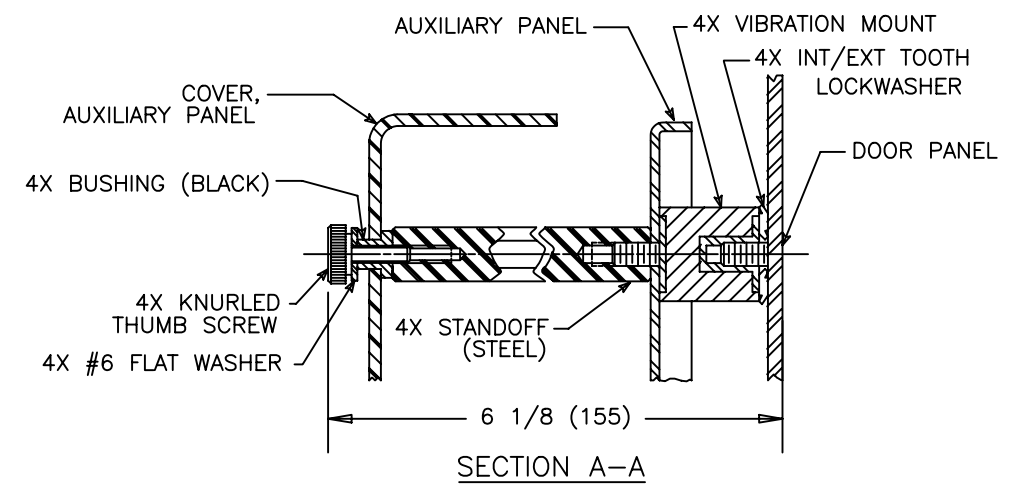
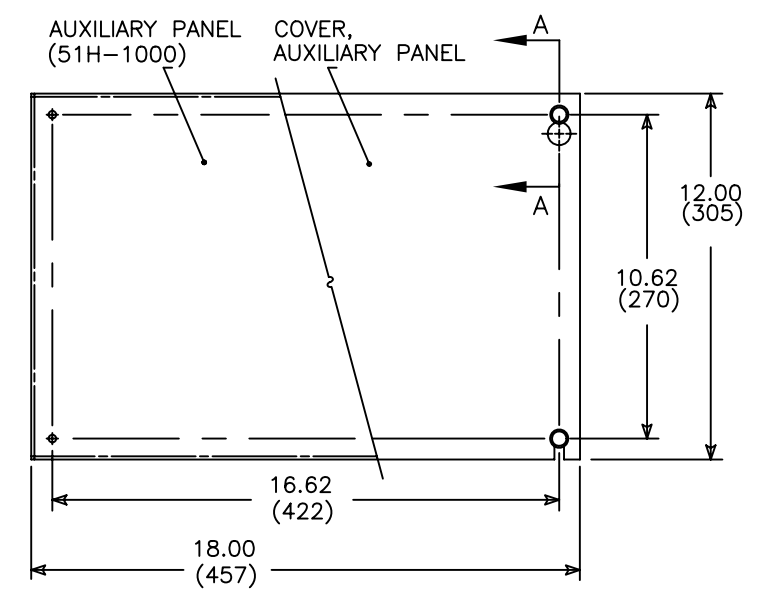
AutoCad Generated

REVISIONS			
REV.	DESCRIPTION	DATE	APPROVED
A	S-8713-2 ESTABLISHED DWG.	02/21/08	JLM YP

DOOR DETAIL (INSIDE VIEW)



AUXILIARY CONTROL PANEL



SIGNATURES		DATE
MODEL	SG	02/21/08
DETAIL		
CHECKED		
ENGRG	SB	02/21/08
MFG		
QUALITY		
ISSUED		
DRAWING FILE:	90C-2005-a-3.dwg	
MODEL / ASSEMBLY FILE:	ZTE 1600-2000 AMP	
# CTQs	CRITICAL TO QUALITY CHARACTERISTIC	

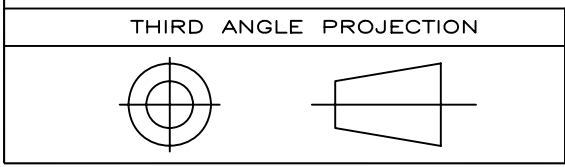
GE Zenith Controls

TITLE: ZTE 3000 AMP 2,3,4 POLE OPEN STYLE-DOOR LAYOUT

FIRST MADE FOR: ZTE 3000 AMP 2, 3 & 4 POLE

SIZE	CAGE CODE	DWG NO
B		90C-2005

SCALE: N/A SHEET 3 OF 3



GE PROPRIETARY AND CONFIDENTIAL INFORMATION

This document is the property of General Electric Company ("GE") and contains proprietary information of GE. This document is loaned on the express condition that neither it nor the information contained therein shall be disclosed to others without the express written consent of GE Industrial Systems, and that the information shall be used by the recipient only as approved expressly by GE Industrial Systems. This document shall be returned to GE upon its request. This document may be subject to certain restrictions under U.S. export control laws and regulations.

AutoCad Generated