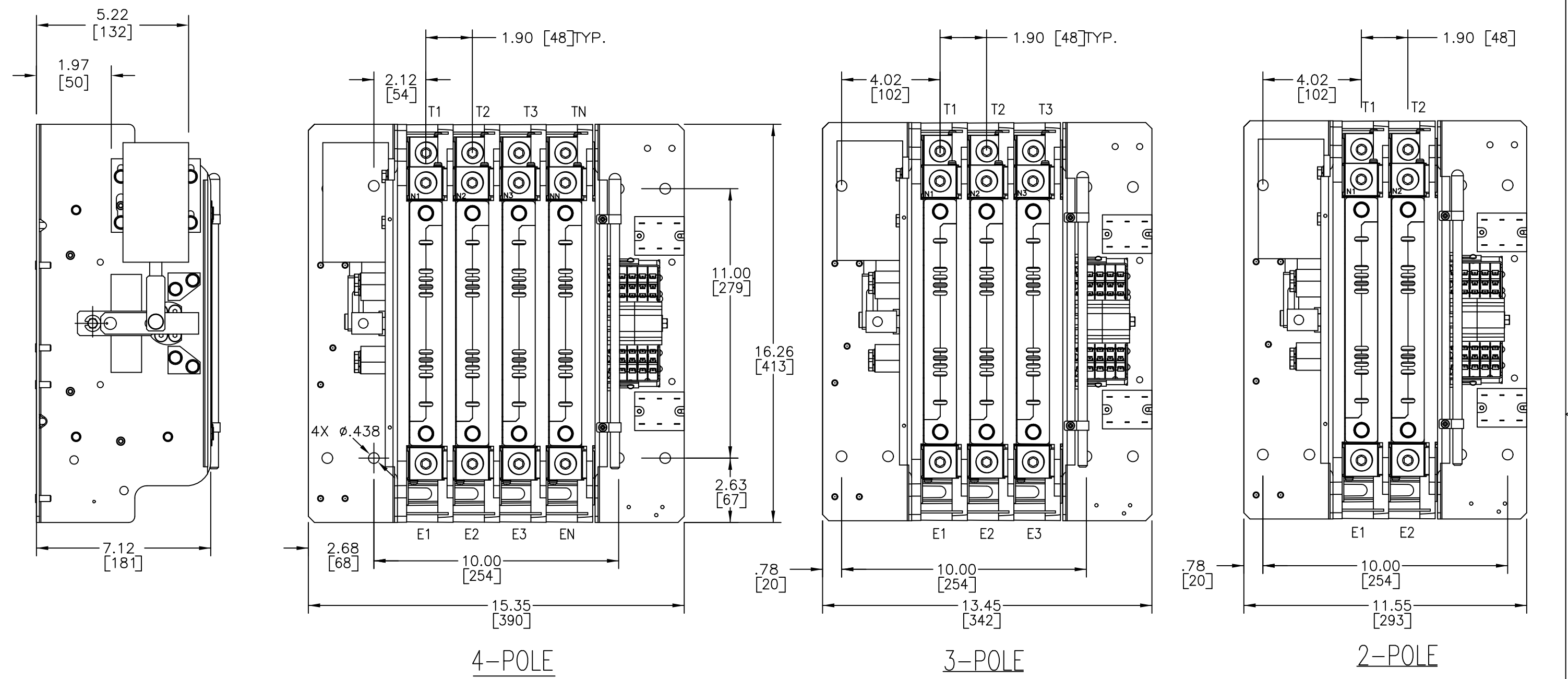


REVISIONS			
REV.	DESCRIPTION	DATE	APPROVED
A	S-8713 ESTABLISHED DWG.	02/21/08	JLM YP



- NOTES:**
- DO NOT RUN CABLES IN FRONT OF SWITCH. RUN ALL CABLES ON THE RIGHT SIDE.
  - MAINTAIN ELECTRICAL CLEARANCE OF 1" (25mm) MIN. BETWEEN LIVE METAL PARTS AND GROUNDED METAL.
  - ALL DIMENSIONS ARE FOR REFERENCE ONLY AND ARE SHOWN IN INCHES(MILLIMETERS).

		LUG SIZE
225 TO 400A	(QTY 1)	#4- 600 MCM (33-304mm <sup>2</sup> )

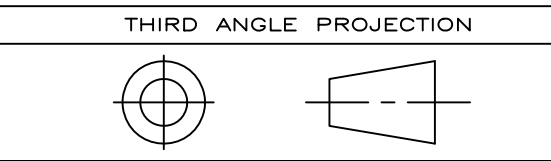
SIGNATURES	DATE
MODEL GG	02/21/08
CHECKED	
ENGRG MF	
MFG	
QUALITY	
ISSUED	

**GE Zenith Controls**

TITLE: ZTE4 225-400 AMP OPEN STYLE SWITCH

FIRST MADE FOR: ZTE4 225-400 AMP

SIZE B	CAGE CODE	DWG NO 90C-2033
SCALE: N/A	SHEET 1 OF 3	



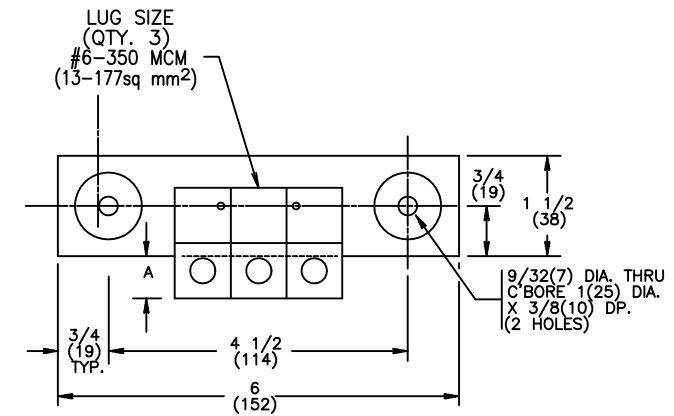
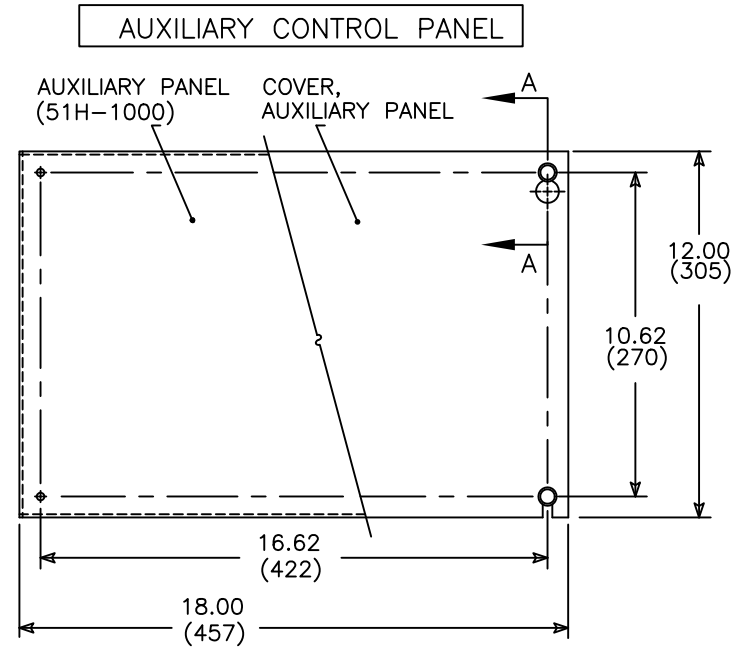
GE PROPRIETARY AND CONFIDENTIAL INFORMATION

This document is the property of General Electric Company ("GE") and contains proprietary information of GE. This document is loaned on the express condition that neither it nor the information contained therein shall be disclosed to others without the express written consent of GE Industrial Systems, and that the information shall be used by the recipient only as approved expressly by GE Industrial Systems. This document shall be returned to GE upon its request. This document may be subject to certain restrictions under U.S. export control laws and regulations.

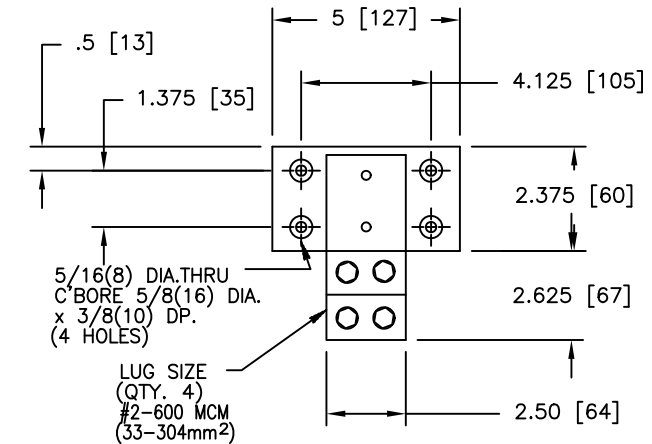
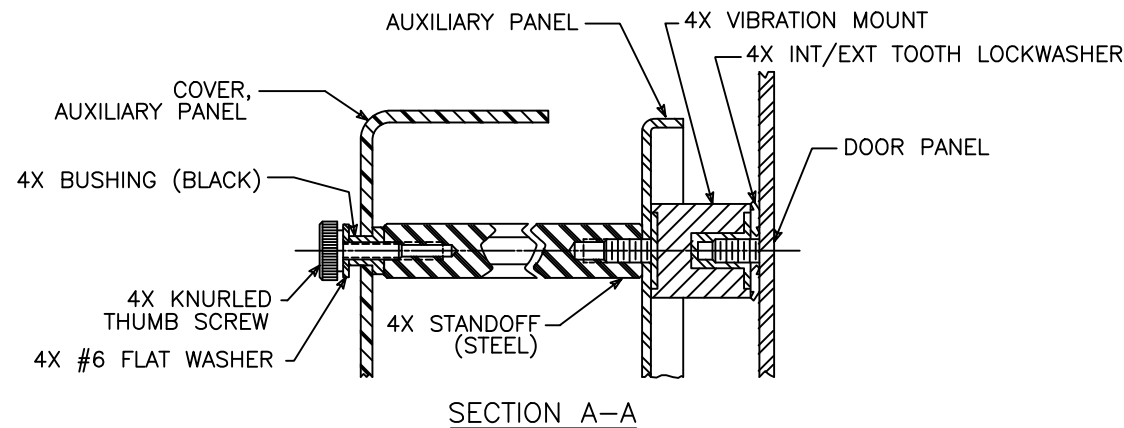
AutoCad Generated

# CTQs  $\ominus$  CRITICAL TO QUALITY CHARACTERISTIC

REVISIONS			
REV.	DESCRIPTION	DATE	APPROVED
A	S-8713 ESTABLISHED DWG.		JLM YP



225-260A- NEUTRAL BAR ASSEMBLY

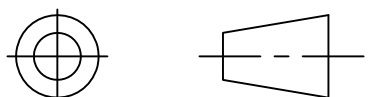


400A - NEUTRAL BAR ASSEMBLY

NOTES:

- DO NOT RUN CABLES IN FRONT OF SWITCH.  
RUN ALL CABLES ON THE RIGHT SIDE.
- MAINTAIN ELECTRICAL CLEARANCE OF 1" (25mm) MIN. BETWEEN LIVE METAL PARTS AND GROUNDED METAL.
- ALL DIMENSIONS ARE FOR REFERENCE ONLY AND ARE SHOWN IN INCHES(MILLIMETERS).

THIRD ANGLE PROJECTION



GE PROPRIETARY AND CONFIDENTIAL INFORMATION

This document is the property of General Electric Company ("GE") and contains proprietary information of GE. This document is loaned on the express condition that neither it nor the information contained therein shall be disclosed to others without the express written consent of GE Industrial Systems, and that the information shall be used by the recipient only as approved expressly by GE Industrial Systems. This document shall be returned to GE upon its request. This document may be subject to certain restrictions under U.S. export control laws and regulations.

AutoCad Generated

SIGNATURES		DATE
MODEL	GG	02/19/08
DETAIL		
CHECKED		
ENGRG	MF	
MFG		
QUALITY		
ISSUED		
DRAWING FILE:	90c-2033-a-2.dwg	
MODEL / ASSEMBLY FILE:	ZTE4 225-400 AMP	
# CTQs	⊖ CRITICAL TO QUALITY CHARACTERISTIC	



**GE Zenith Controls**

TITLE

ZTE4 225-400 AMP  
OPEN STYLE SWITCH

FIRST MADE FOR: ZTE4 225-400 AMP

SIZE CAGE CODE DWG NO

B

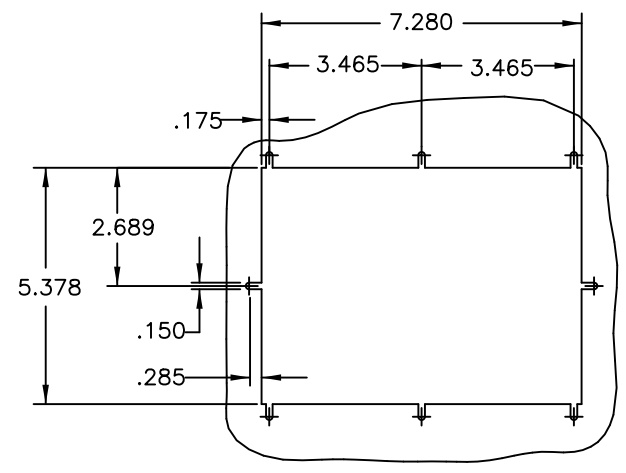
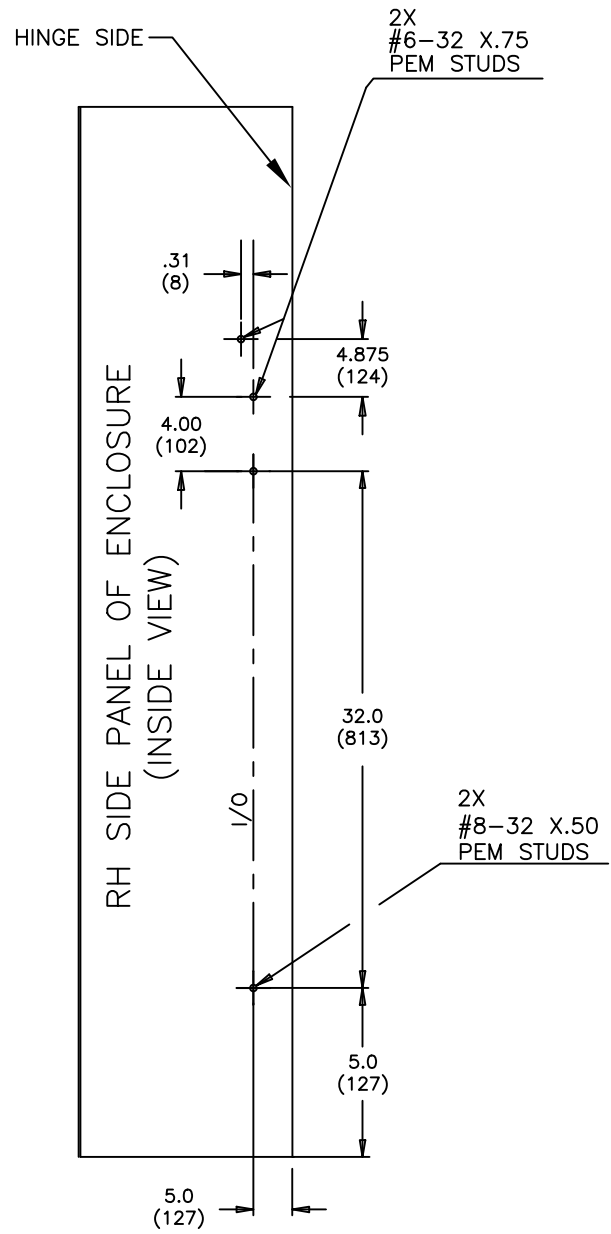
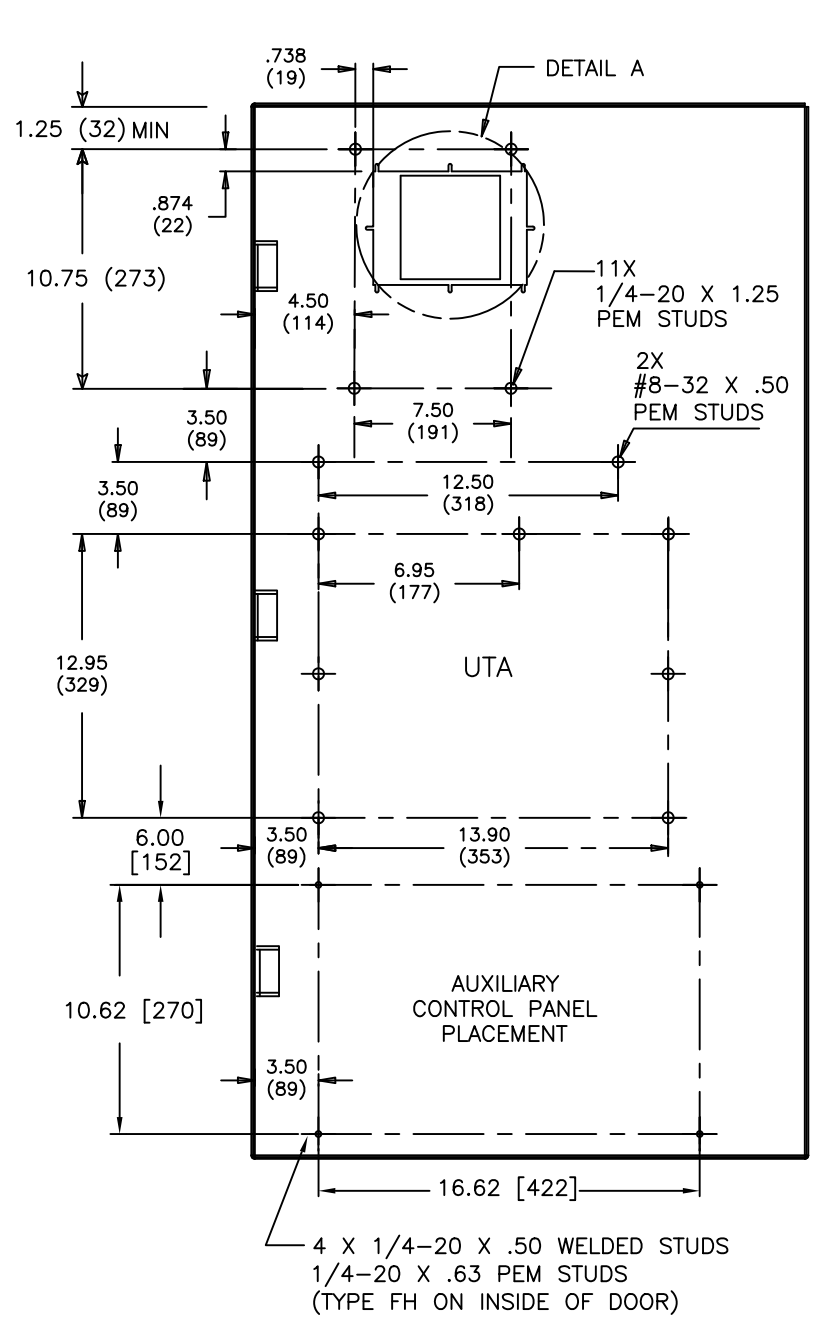
90C-2033

SCALE: N/A

SHEET 2 OF 3

DOOR DETAIL (INSIDE VIEW)

REVISIONS			
REV.	DESCRIPTION	DATE	APPROVED
A	S-8713 ESTABLISHED DWG.	02/19/08	JLM YP

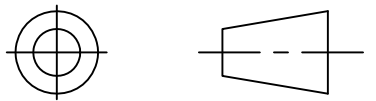


DETAIL A

NOTES:

- DO NOT RUN CABLES IN FRONT OF SWITCH. RUN ALL CABLES ON THE RIGHT SIDE.
- MAINTAIN ELECTRICAL CLEARANCE OF 1" (25mm) MIN. BETWEEN LIVE METAL PARTS AND GROUNDED METAL.
- ALL DIMENSIONS ARE FOR REFERENCE ONLY AND ARE SHOWN IN INCHES(MILLIMETERS).

THIRD ANGLE PROJECTION



GE PROPRIETARY AND CONFIDENTIAL INFORMATION

This document is the property of General Electric Company ("GE") and contains proprietary information of GE. This document is loaned on the express condition that neither it nor the information contained therein shall be disclosed to others without the express written consent of GE Industrial Systems, and that the information shall be used by the recipient only as approved expressly by GE Industrial Systems. This document shall be returned to GE upon its request. This document may be subject to certain restrictions under U.S. export control laws and regulations.

AutoCad Generated

SIGNATURES	DATE
MODEL GG	02/19/08
DETAIL	
CHECKED	
ENGRG MF	
MFG	
QUALITY	
ISSUED	

**GE Zenith Controls**

TITLE: ZTE4 225-400 AMP OPEN STYLE - DOOR LAYOUT

FIRST MADE FOR: ZTE4 225-400 AMP

DRAWING FILE: 90c-2033-a-3.dwg	SIZE B	CAGE CODE	DWG NO 90C-2033
MODEL / ASSEMBLY FILE: ZTE4 225-400 AMP	# CTQs	CRITICAL TO QUALITY CHARACTERISTIC	SCALE: N/A

SHEET 3 OF 3