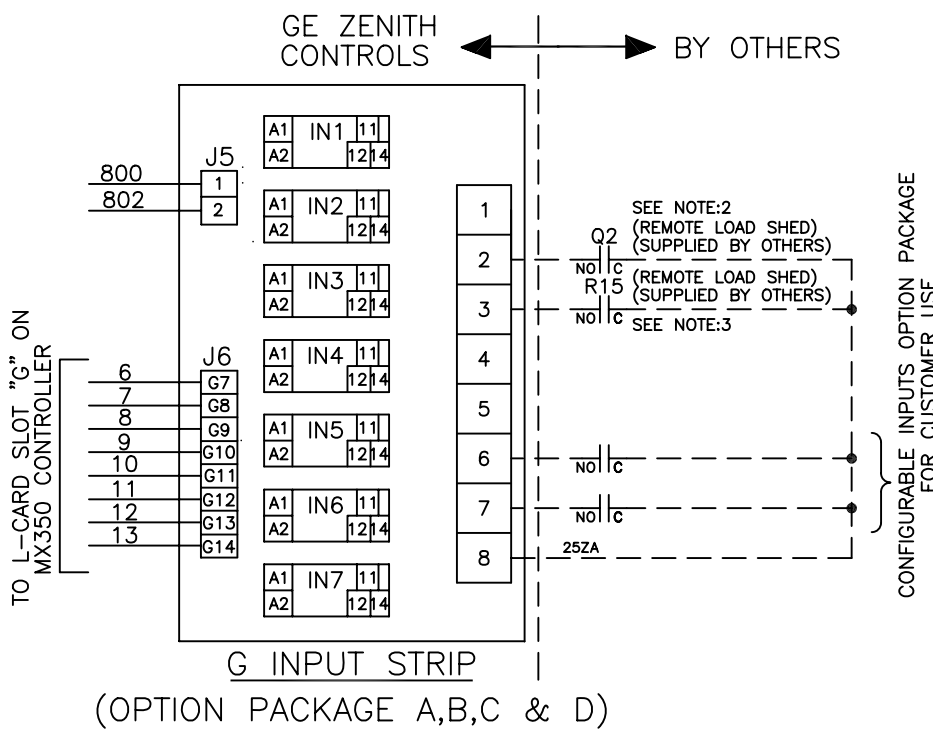


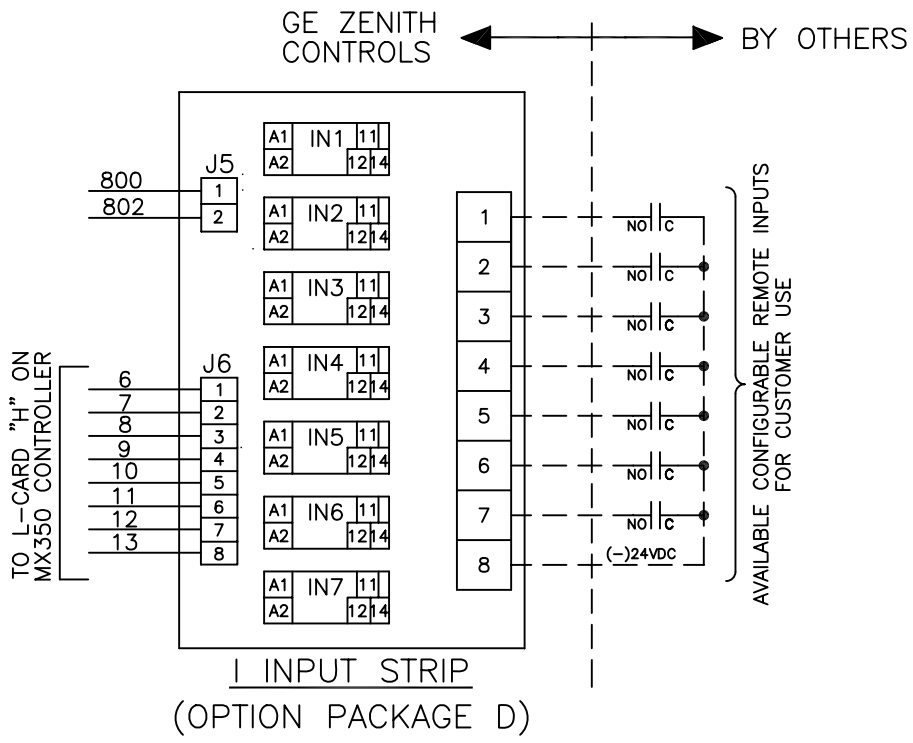
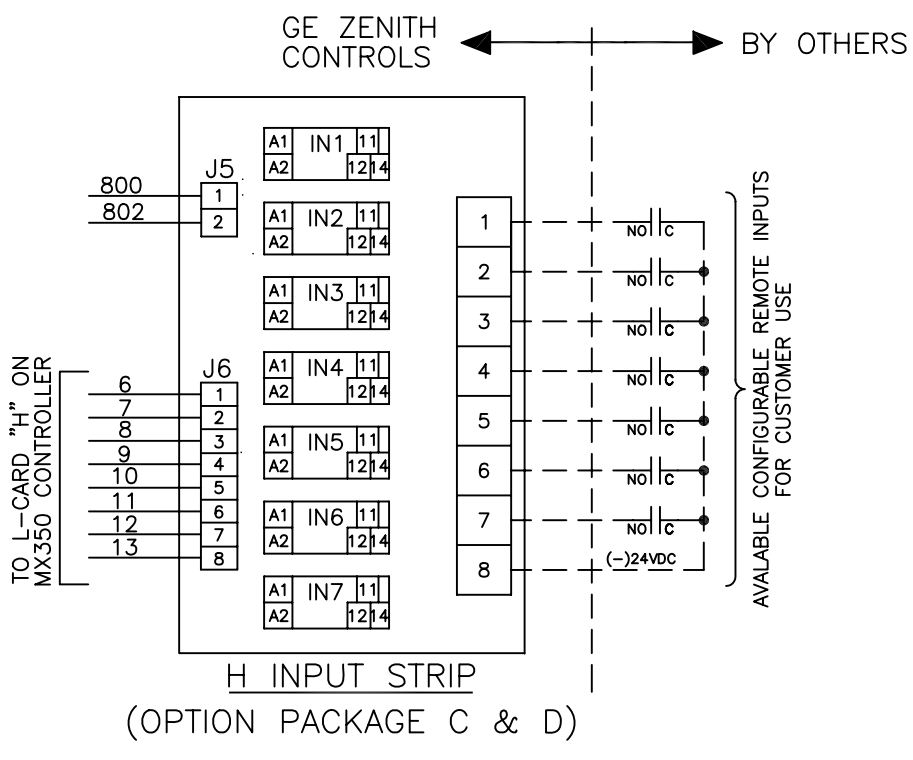
REVISIONS			
REV.	DESCRIPTION	DATE	APPROVED
A	S-8713-4	ESTABLISHED DWG	03/03/08 CEE CEE

OPTION PACKAGE WIRING CONNECTION DETAILS

USER-CONFIGURABLE INPUTS



- BYPASS TIME DELAY ON RE-TRANSFER TO SOURCE 1 -(BYPTR)
- BYPASS TIME DELAY ON RE-TRANSFER TO SOURCE 2 -(BYPWR)
- REMOTE ENGINE START -(RSS)
- AUTO LOAD SHED RESET -(LS1R)
- AUTO LOAD SHED KW PICK UP ON/OFF -(LS1KW)
- AUTO LOAD SHED REMOTE ENABLE/DISABLE-(ALS1)
- NO LOAD TEST -(TSNL)
- INHIBIT TRANSFER TO SOURCE 1 -(Q7)
- INHIBIT TRANSFER TO SOURCE 2 -(Q3)
- PRIME SOURCE SELECT SWITCH -(S3R)
- AUTO/MAN RE-TRANSFER SOURCE 2 TO 1 -(S5R)
- AUTO/MAN RE-TRANSFER SOURCE 1 TO 2 AND SOURCE 2 TO 1 -(S12/R)
- COMMIT/NO COMMIT TO TRANSFER TO SOURCE 2 -(S13R)
- MANUAL TRANSFER TO SOURCE 2 -(YER)
- MANUAL TRANSFER TO SOURCE 1 -(YNR)
- DIGITAL INPUT (UP TO QTY. 10 FOR USER-CONFIGURABLE ALARMS & FLEXLOGIC - (CCD1-X)



NOTES:

1. COMPONENTS DRAWN IN DASHED LINES ARE OPTION PACKAGE AND CUSTOMER CONNECTIONS OF THE TRANSFER SWITCH.
2. Q2 (TEST WITH LOAD) IS PROVIDED AS STANDARD (PRE-CONFIGURED) FEATURE.
3. R15 (LOAD SHED) IS PROVIDED AS AN OPTION (PRE-CONFIGURED) FEATURE.

<p>GE PROPRIETARY AND CONFIDENTIAL INFORMATION</p> <p>This document is the property of General Electric ("GE") and contains proprietary information of GE. This document is loaned on the express condition that neither it nor the information contained therein shall be disclosed to others without the express written consent of GE Industrial Systems, and that the information shall be used by the recipient only as approved expressly by GE Industrial Systems. This document shall be returned to GE upon its request. This document may be subject to certain restrictions under U.S. export controls laws and regulations.</p>	<p>FOR ADDITIONAL INFO REFER TO APPLIED PRACTICES</p> <p>UNLESS OTHERWISE SPECIFIED DIMENSIONS ARE IN INCHES</p> <p>TOLERANCES ON:</p> <p>2 PL. DECIMALS ± .020</p> <p>3 PL. DECIMALS ± .005</p> <p>ANGLES ± 1°</p> <p>FRACTIONS ± 1/64</p> <p>FINISH ✓</p>	<p>SIGNATURES</p> <p>MODEL CEE</p> <p>DATE 03/03/08</p> <p>CHECKED</p> <p>ENGRG CEE</p> <p>03/03/08</p> <p>MFG</p> <p>QUALITY</p> <p>ISSUED</p> <p>DRAWING FILE: 91r-2001-a-1.dwg</p> <p>MODEL / ASSEMBLY FILE:</p>	<p>DATE</p> <p>03/03/08</p> <p>03/03/08</p>	<p>GE Zenith Controls</p> <p>TITLE</p> <p>USER CONFIGURABLE INPUT-OPTION</p> <p>FIRST MADE FOR: TRANSFER SWITCHES WITH MX350</p> <p>SIZE B</p> <p>CAGE CODE</p> <p>DWG NO 91R-2001</p> <p>SCALE: NA</p> <p>SHEET 1 OF 1</p>
	<p>THIRD ANGLE PROJECTION</p>	<p>AutoCad Generated</p> <p># CTQs</p> <p>CRITICAL TO QUALITY CHARACTERISTIC</p>	<p>GE Logo</p>	<p>03/03/08</p>