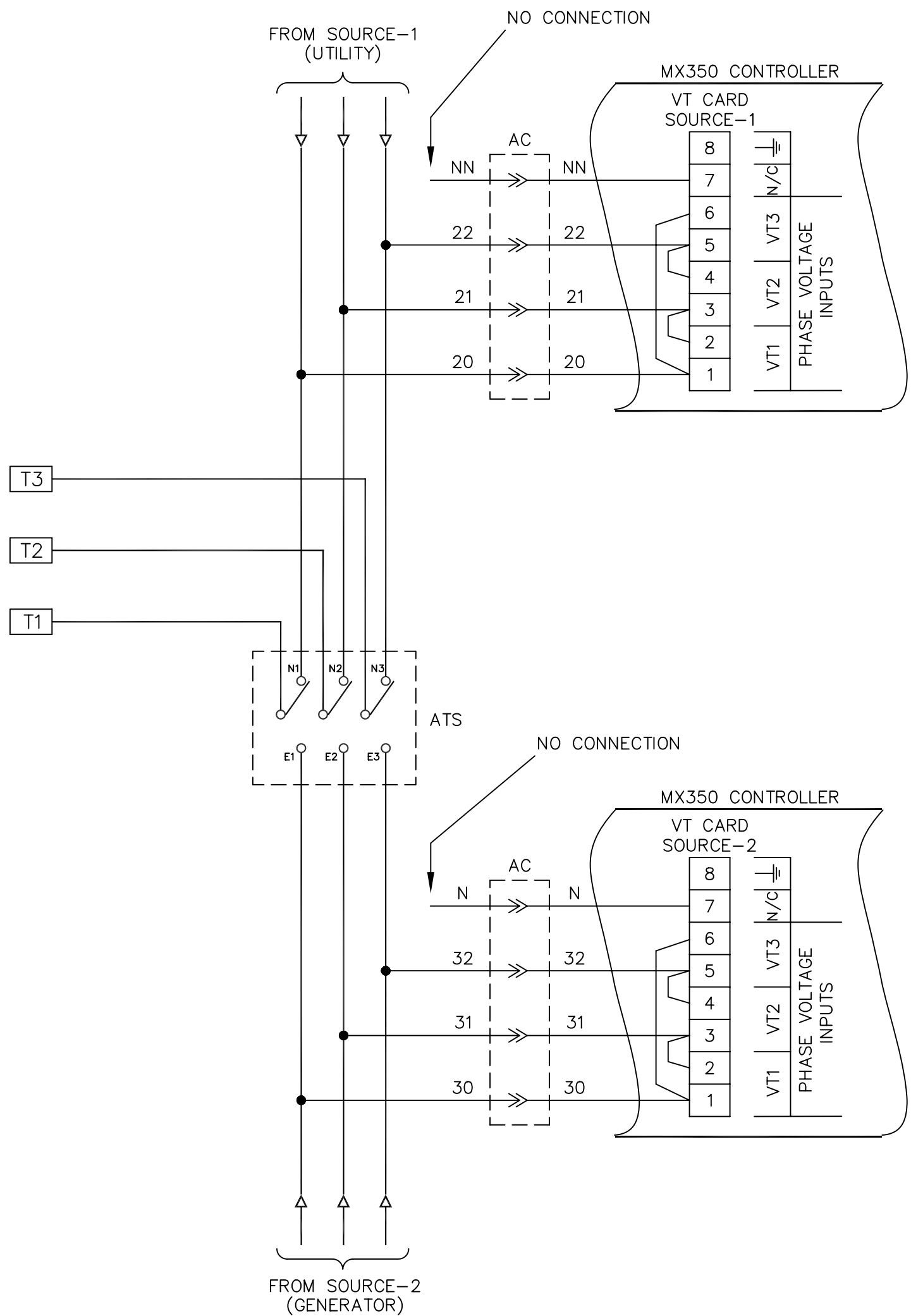


REVISIONS			
REV.	DESCRIPTION	DATE	APPROVED
A	S 8713-4 ESTABLISHED DWG	01/02/08	CEE CEE

VT CARD CONNECTION FOR 3-PHASE, 3-WIRE SYSTEM



GE PROPRIETARY AND CONFIDENTIAL INFORMATION
 This document is the property of General Electric ("GE") and contains proprietary information of GE. This document is loaned on the express condition that neither it nor the information contained therein shall be disclosed to others without the express written consent of GE Industrial Systems, and that the information shall be used by the recipient only as approved expressly by GE Industrial Systems. This document shall be returned to GE upon its request. This document may be subject to certain restrictions under U.S. export controls laws and regulations.

THIRD ANGLE PROJECTION

FOR ADDITIONAL INFO REFER TO	SIGNATURES	DATE
APPLIED PRACTICES	MODEL CEE	01/02/08
UNLESS OTHERWISE SPECIFIED DIMENSIONS ARE IN INCHES	DETAIL	
TOLERANCES ON:	CHECKED	
2 PL. DECIMALS ± .020	ENGRG CEE	01/02/08
3 PL. DECIMALS ± .005	MFG	
ANGLES ± 1°	QUALITY	
FRACTIONS ± 1/64	ISSUED	
FINISH ✓	DRAWING FILE: 91r-2004-a-1	
AutoCad Generated	MODEL / ASSEMBLY FILE:	
	# CTQs	⊖ CRITICAL TO QUALITY CHARACTERISTIC

GE Zenith Controls

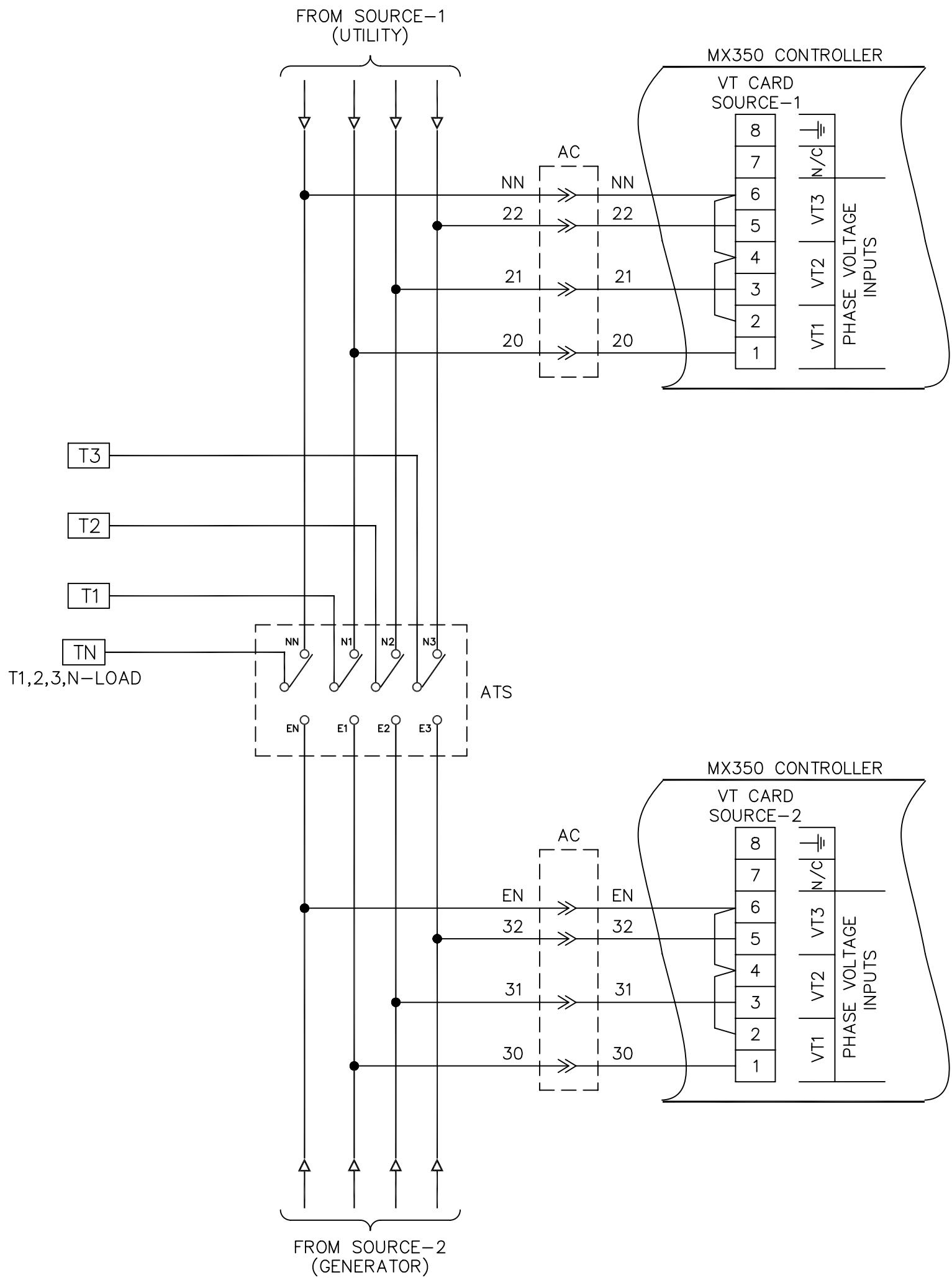
TITLE
MX350 VT CARD DELTA CONNECTION

FIRST MADE FOR: TRANSFER SWITCHES WITH MX350 CONTROLLER

SIZE B	CAGE CODE	DWG NO 91R-2004
SCALE: N/A	SHEET 1 OF 3	

REVISIONS			
REV.	DESCRIPTION	DATE	APPROVED
A	S 8713-4 ESTABLISHED DWG	01/02/08	CEE CEE

VT CARD CONNECTION FOR 3-PHASE, 4-WIRE SYSTEM



GE PROPRIETARY AND CONFIDENTIAL INFORMATION
 This document is the property of General Electric ("GE") and contains proprietary information of GE. This document is loaned on the express condition that neither it nor the information contained therein shall be disclosed to others without the express written consent of GE Industrial Systems, and that the information shall be used by the recipient only as approved expressly by GE Industrial Systems. This document shall be returned to GE upon its request. This document may be subject to certain restrictions under U.S. export controls laws and regulations.

THIRD ANGLE PROJECTION

FOR ADDITIONAL INFO REFER TO APPLIED PRACTICES
 UNLESS OTHERWISE SPECIFIED DIMENSIONS ARE IN INCHES

TOLERANCES ON:
 2 PL. DECIMALS ± .020
 3 PL. DECIMALS ± .005
 ANGLES ± 1°
 FRACTIONS ± 1/64

FINISH ✓

AutoCad Generated

SIGNATURES		DATE
MODEL	CEE	01/02/08
CHECKED		
ENGRG	CEE	01/02/08
MFG		
QUALITY		
ISSUED		
DRAWING FILE:	91r-2004-a-2	
MODEL / ASSEMBLY FILE:		
# CTQs	⊖ CRITICAL TO QUALITY CHARACTERISTIC	

GE Zenith Controls

TITLE
 MX350 VT CARD WYE CONNECTION

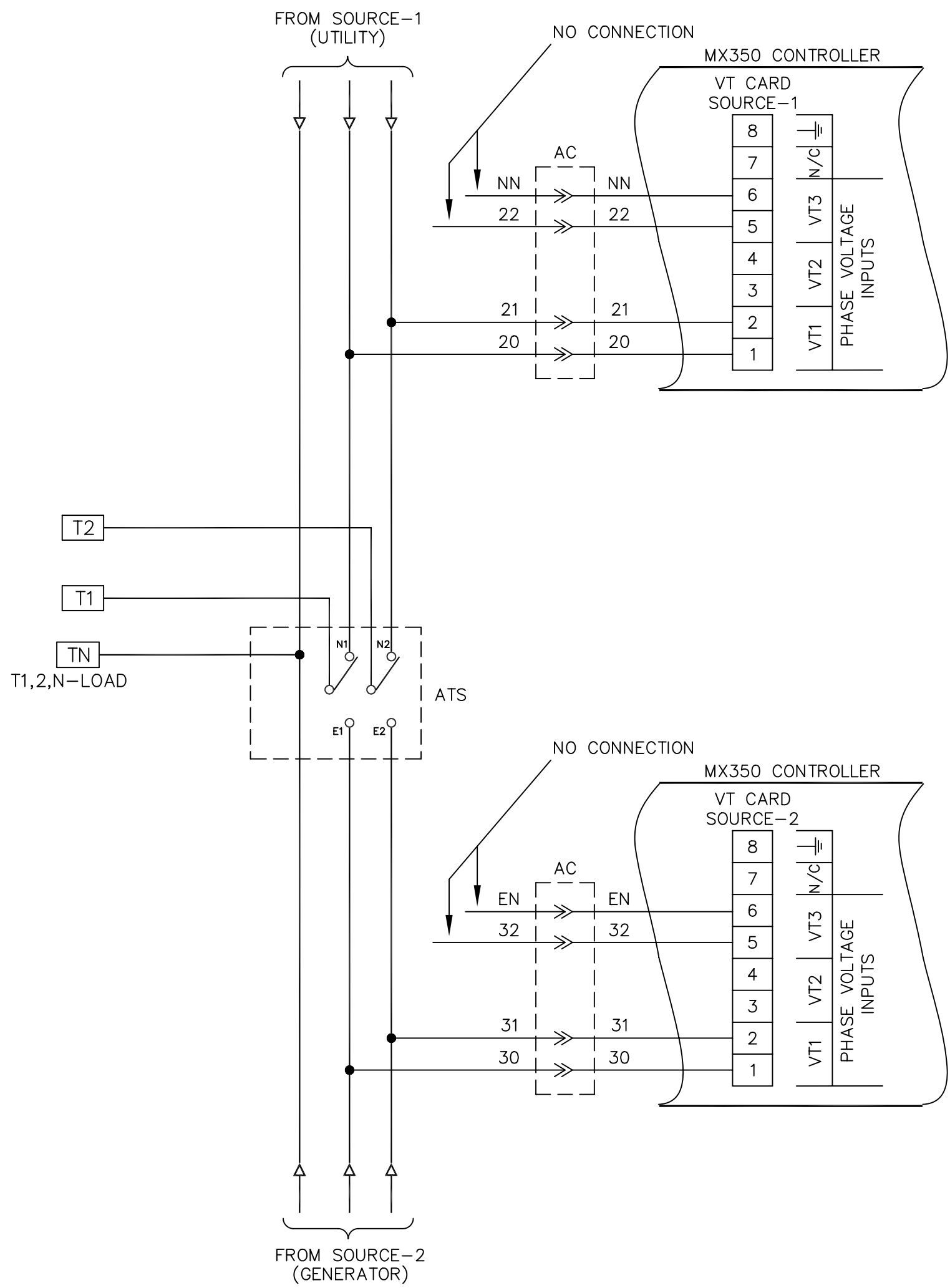
FIRST MADE FOR: TRANSFER SWITCHES WITH MX350 CONTROLLER

SIZE	CAGE CODE	DWG NO
B		91R-2004

SCALE: N/A SHEET 2 OF 3

REVISIONS			
REV.	DESCRIPTION	DATE	APPROVED
A	S 8713-4 ESTABLISHED DWG	01/02/08	CEE CEE

VT CARD CONNECTION FOR 1-PHASE, 2-WIRE SYSTEM



GE PROPRIETARY AND CONFIDENTIAL INFORMATION
 This document is the property of General Electric ("GE") and contains proprietary information of GE. This document is loaned on the express condition that neither it nor the information contained therein shall be disclosed to others without the express written consent of GE Industrial Systems, and that the information shall be used by the recipient only as approved expressly by GE Industrial Systems. This document shall be returned to GE upon its request. This document may be subject to certain restrictions under U.S. export controls laws and regulations.

THIRD ANGLE PROJECTION

FOR ADDITIONAL INFO REFER TO	SIGNATURES	DATE
APPLIED PRACTICES	MODEL CEE	01/02/08
UNLESS OTHERWISE SPECIFIED DIMENSIONS ARE IN INCHES	DETAIL	
TOLERANCES ON:	CHECKED	
2 PL. DECIMALS ± .020	ENGRG CEE	01/02/08
3 PL. DECIMALS ± .005	MFG	
ANGLES ± 1°	QUALITY	
FRACTIONS ± 1/64	ISSUED	
FINISH ✓	DRAWING FILE: 91r-2004-a-3	
AutoCad Generated	MODEL / ASSEMBLY FILE:	
# CTQs	⊖ CRITICAL TO QUALITY CHARACTERISTIC	

GE Zenith Controls

TITLE
 MX350 VT CARD SINGLE PHASE CONNECTION

FIRST MADE FOR: TRANSFER SWITCHES WITH MX350 CONTROLLER

SIZE B	CAGE CODE	DWG NO 91R-2004
SCALE: N/A	SHEET 3 OF 3	