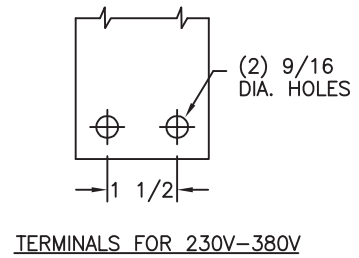
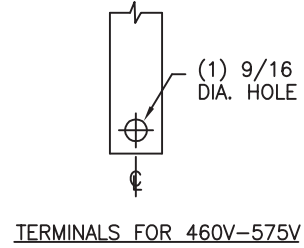
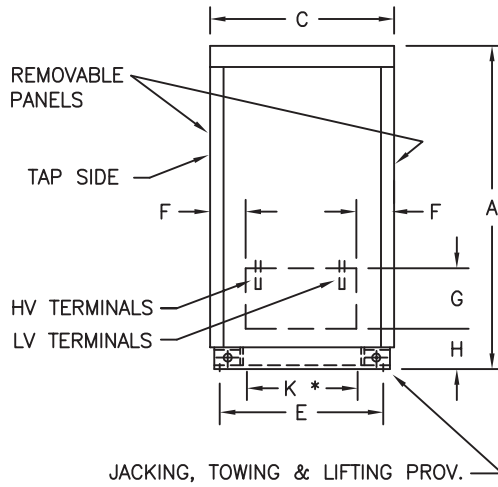
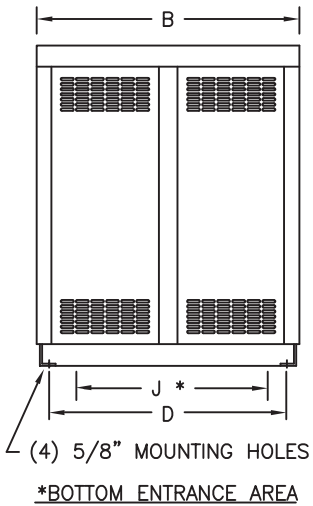


NOTES:

1. ALL UNITS ARE UL LISTED AND ARE DESIGNED IN ACCORDANCE WITH APPLICABLE NEMA AND ANSI STANDARDS.
2. TRANSFORMERS ARE DRY-TYPE, CLASS AA, VENTILATED ENCLOSURE FOR INDOOR USE.
3. TRANSFORMERS ARE FLOOR MOUNTED.
4. TRANSFORMERS HAVE 220°C CLASS INSULATION SYSTEM WITH THE AVERAGE WINDING TEMPERATURE RISE BASED ON 40°C MAXIMUM AMBIENT.
5. PAINT COLOR IS ANSI #61.



CERTIFIED DIMENSIONS (INCHES)

NET WT. IN LBS.	A	B	C	D	E	F	G	H	J	K
2600	72	53 3/8	44 3/8	49	42	15 7/8	16	4 1/4	37	37

DRAWINGS
 APPROVAL
 RECORD
 OTHER

QUANTITY		CUST.	
KVA	550	JOB	
PRIMARY VOLTAGE	460	P.O.	
SECONDARY VOLTAGE	460Y/266	S.O.	
TEMPERATURE RISE	150	CATALOG NO.	9T03B7259
WINDINGS & TERMINALS	ALUMINUM		
FREQUENCY	60	BY MCH	ENG. LOG. TITLE
TAPS	+1, -1 X 5%	DATE 7-31-00	DRY TYPE MOTOR DRIVE ISOLATION TRANSFORMER THREE PHASE, 600 VOLT CLASS
GE Industrial Solutions	REV	MFG. LOG.	DWG. NO.
	DATE:	DWG. FILE	D4808A2557-