



Transformer



1M0000000

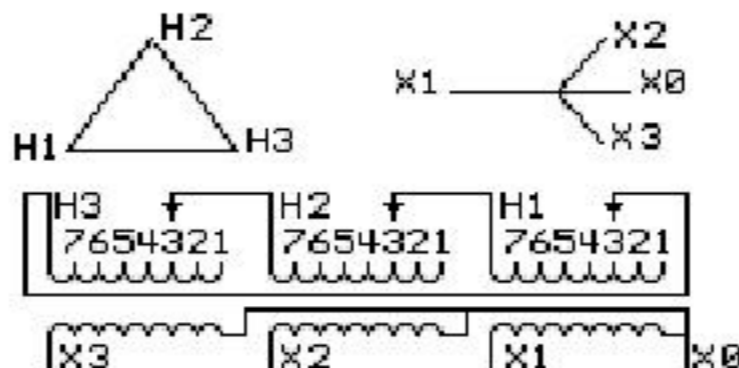
X0
X1 H1
X1 H1
X1 H1
X2 H2
X2 H2
X2 H2
X3 H3
X3 H3
X3 H3
X0
X0
X0

Catalog Number
9T10A1001G32

Type QL

15.0 KVA 60 HZ 3 PH 3.4 % IMP

40 C AMB. 115 C RISE 220 C SYSTEM IS-19C



JUMPER CONNECTION TAP	VOLTS
1	504
2	493
3	480
4	468
5	455
6	445
7	432

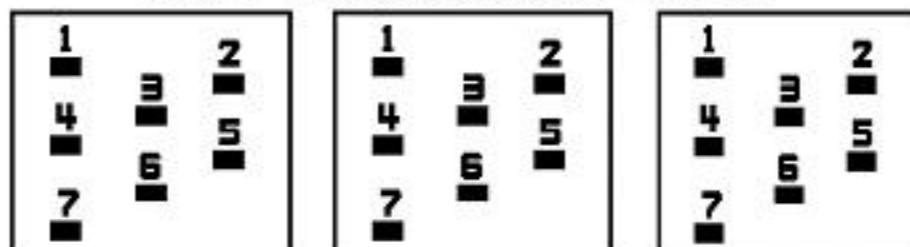
NET WGT
231 LB
104.8 Kg

59078
UX71A
NOG
012216

INSPECTION & FINAL TEST N604!

PRIMARY (H) 480 VOLTS (LINE-LINE)
SECONDARY (X) 208 VOLTS (LINE-LINE)
120 VOLTS (LINE-NEUTRAL)

COIL TAP ARRANGEMENT



ENCLOSURE TYPE 2 (IP20). OR RAINPROOF TYPE 3R (IP22) WHEN PROVIDED SHIELD 9T18Y1071G06

Assembled in Mexico

BEFORE HANDLING, INSTALLING AND OPERATING, SEE INSTRUCTION 475A667AAP001
ALUMINUM CONDUCTOR PRIMARY: 10 KV BIL SECONDARY: 10 KV BIL Outline: 303B111GEUXP71A

X3 H3 X2 H2 X1 H1 X0

- - - - -

Note: standard

IN ACCORDANCE WITH NEC SECTION 450-9, ALLOW AT LEAST SIX INCHES CLEARANCE FOR VENTILATION. CHECK ADDITIONAL NEC AND LOCAL CODE



2M0000000



3M0000000