



Transformer



1M0000000

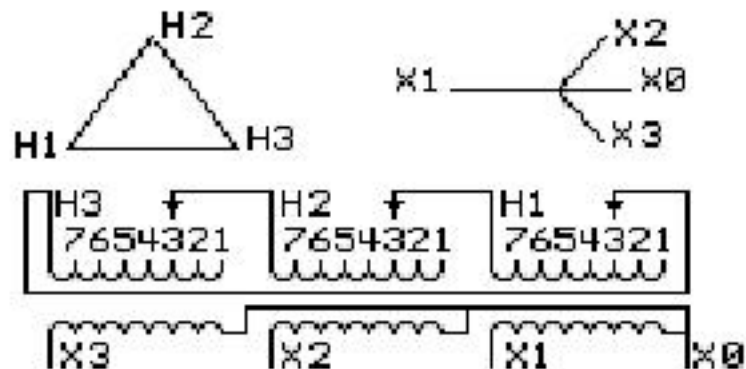
Catalog Number
9T10A1002G05

Type **QL**

30.0 KVA 60 HZ 3 PH 4.9 % IMP

40 C AMB. 150 C RISE 220 C SYSTEM IS-19C

PRIMARY (H) 480 VOLTS (LINE-LINE)
SECONDARY (X) 208 VOLTS (LINE-LINE)
120 VOLTS (LINE-NEUTRAL)



| JUMPER CONNECTION | |
|-------------------|-------|
| TAP | VOLTS |
| 1 | 504 |
| 2 | 492 |
| 3 | 480 |
| 4 | 468 |
| 5 | 456 |
| 6 | 444 |
| 7 | 432 |

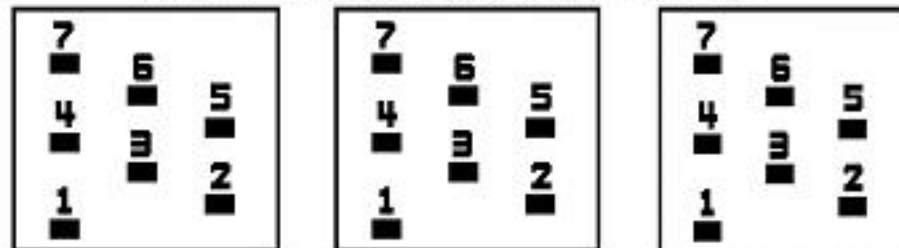
NET WGT
330 LB
149.7 Kg

58881
UX72A

NOG
122215

INSPECTION
&
FINAL TEST
N552!

COIL TAP ARRANGEMENT



ENCLOSURE TYPE 2 (IP20). OR RAINPROOF TYPE 3R (IP22) WHEN PROVIDED SHIELD 9T18Y1072G06

Assembled in Mexico

BEFORE HANDLING, INSTALLING AND OPERATING, SEE INSTRUCTION 475A667AAP001
ALUMINUM CONDUCTOR PRIMARY: 10 KV BIL SECONDARY: 10 KV BIL Outline: 303B111GEUXP72A

X3 H3 X2 H2 X1 H1 X0

IN ACCORDANCE WITH NEC SECTION 450-9, ALLOW AT LEAST SIX INCHES
CLEARANCE FOR VENTILATION. CHECK ADDITIONAL NEC AND LOCAL CODE

Note: standard

X0
X1
H1
-
-
-
-
-
-
-
-
X3 H3 X2 H2 X1 H1

X0
X1
H1
-
-
-
-
-
-
-
-
X3 H3 X2 H2 X1 H1



2M0000000



3M0000000