



# Transformer



\*1M0000000\*

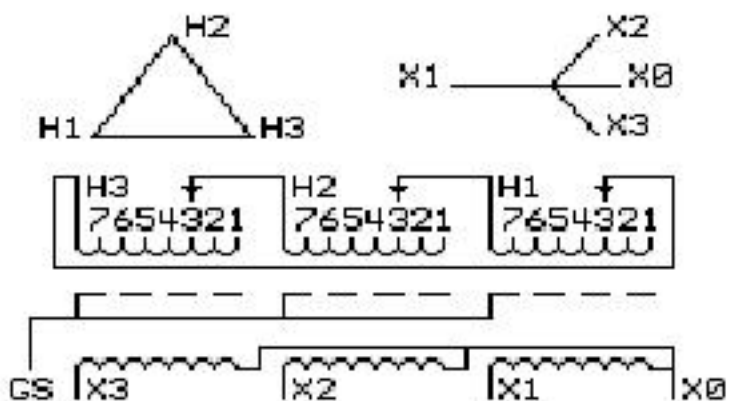
Catalog Number  
**9T10S1003G03**

Type QL

**45.0 KVA 60 HZ 3 PH 3.3 % IMP**

40 C AMB. 150 C RISE 220 C SYSTEM IS-19C

Note: Design is based on 45.00KVA & 115C Rise 3.1% Imp.



JUMPER CONNECTION	
TAP	VOLTS
1	504
2	490
3	480
4	467
5	457
6	444
7	434

NET WGT  
444 LB  
201.4 Kg

58550

UX73A

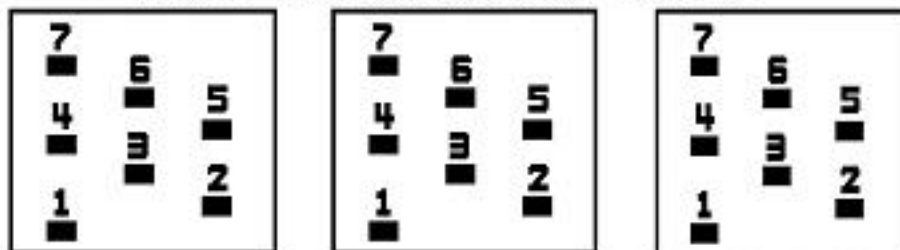
NOG

020116

INSPECTION  
&  
FINAL TEST  
N606!

PRIMARY (H) 480 VOLTS (LINE-LINE)  
 SECONDARY (X) 208 VOLTS (LINE-LINE)  
 120 VOLTS (LINE-NEUTRAL)

### COIL TAP ARRANGEMENT



ELECTROSTATIC GROUND SHIELD IN EACH PHASE

ENCLOSURE TYPE 2 (IP20) OR RAINPROOF TYPE 3R (IP22) WHEN PROVIDED SHIELD 9T18Y1172G06

Assembled in Mexico

BEFORE HANDLING, INSTALLING AND OPERATING, SEE INSTRUCTION 475A667AAP001  
ALUMINUM CONDUCTOR PRIMARY: 10 KV BIL SECONDARY: 10 KV BIL

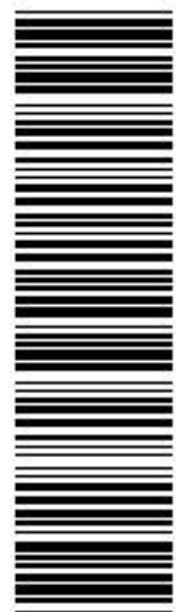
Outline:  
303B111GEUXP73A

**X3 H3 X2 H2 X1 H1 X0**

IN ACCORDANCE WITH NEC SECTION 450-9, ALLOW AT LEAST SIX INCHES  
CLEARANCE FOR VENTILATION. CHECK ADDITIONAL NEC AND LOCAL CODE

Note: standard

X0  
X1  
X2  
X3



\*2M0000000\*

X0  
X1  
X2  
X3



\*3M0000000\*