



Transformer

Catalog Number TYPE QL

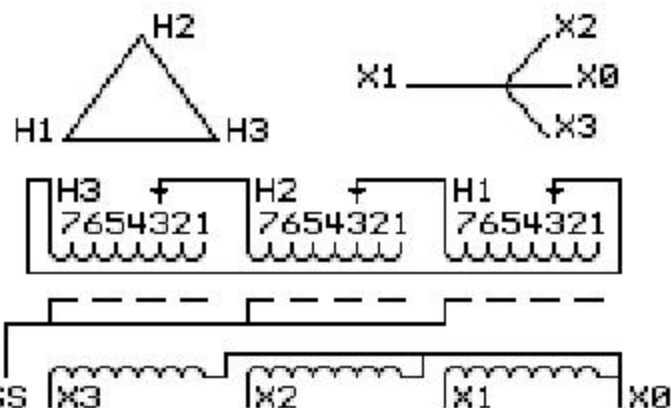
9T23B3092G03

30.0 KVA 60 HZ 3 PH 5.5 % IMP

40 C AMB. 150 C RISE 220 C SYSTEM IS-19C

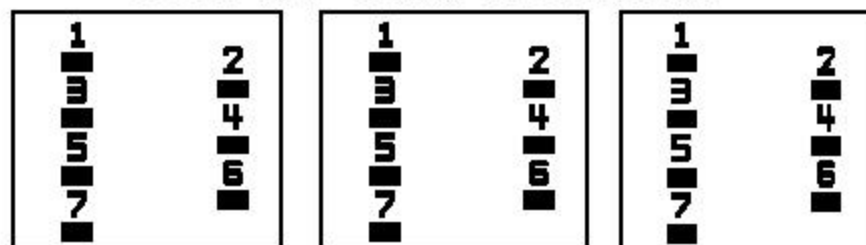
| | |
|---------------|--------------------------|
| PRIMARY (H) | 208 VOLTS (LINE-LINE) |
| SECONDARY (X) | 208 VOLTS (LINE-LINE) |
| | 120 VOLTS (LINE-NEUTRAL) |

ELECTROSTATIC GROUND SHIELD IN EACH PHASE



| JUMPER CONNECTION | |
|-------------------|-------|
| TAP | VOLTS |
| 1 | 218 |
| 2 | 213 |
| 3 | 208 |
| 4 | 202 |
| 5 | 197 |
| 6 | 191 |
| 7 | 188 |

COIL TAP ARRANGEMENT



ENCLOSURE TYPE 2 (IP30). RAINPROOF TYPE 3R ENCLOSURE (IP32) WHEN PROVIDED SHIELD 9T18Y4317G05

Outline: 303B900AAP003

INSPECTION &
FINAL TEST
N731&

BEFORE HANDLING, INSTALLING AND OPERATING, SEE INSTRUCTION 475A667AAP001
ALUMINUM CONDUCTOR PRIMARY: 10 KV BIL SECONDARY: 10 KV BIL

IN ACCORDANCE WITH NEC SECTION 450-9, ALLOW AT LEAST SIX INCHES
CLEARANCE FOR VENTILATION. CHECK ADDITIONAL NEC AND LOCAL CODES.

080107

NET WGT
300 LB

GE Consumer & Industrial

NEMA CLASS AA DRY TYPE TRANSFORMER

Meets TP-1 1996 efficiency

Assembled in Mexico 1454



1M000000



2M000000



2M000000