



Transformer



1M000000

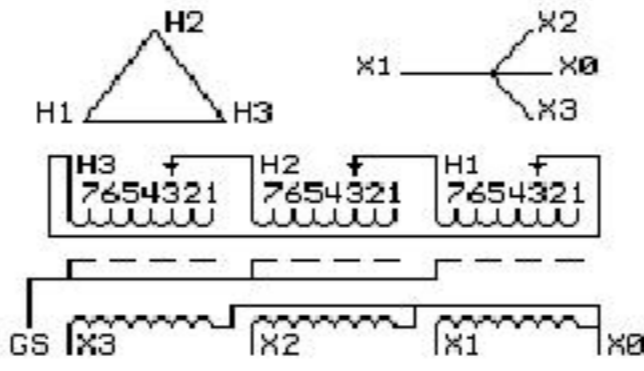
Catalog Number **9Q3A011AAAZ13A2T00** Type **QL**

9T61B3380G04

11.0 KVA 60 HZ 3 PH 4.3 % IMP

40 C AMB. 150 C RISE 220 C SYSTEM IS-19C

Note: Design is based on 15.00KVA & 150C Rise 5.9% Imp.



JUMPER CONNECTION	
TAP	VOLTS
1	503
2	492
3	480
4	468
5	457
6	445
7	434

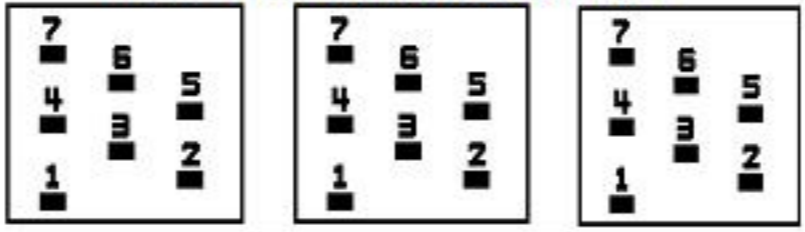
NET WGT
240 LB
108.9 Kg

54405
XV371
NOG
091415

INSPECTION & FINAL TEST
N538!

PRIMARY (H) 480 VOLTS (LINE-LINE)
SECONDARY (X) 220 VOLTS (LINE-LINE)
127 VOLTS (LINE-NEUTRAL)

COIL TAP ARRANGEMENT



ELECTROSTATIC GROUND SHIELD IN EACH PHASE

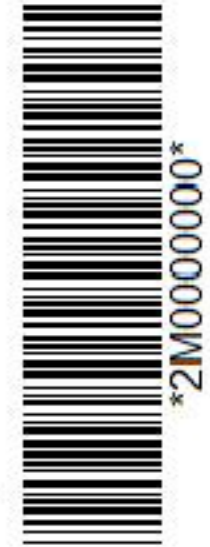
ENCLOSURE TYPE 2 (IP30). RAINPROOF TYPE 3R ENCLOSURE (IP32) WHEN PROVIDED SHIELD 9T18Y4317G11
SUITABLE FOR NONSINUSOIDAL CURRENT LOAD WITH K-FACTOR NOT TO EXCEED 13
BEFORE HANDLING, INSTALLING AND OPERATING, SEE INSTRUCTION 475A667AAP001 Outline: 303B401AAP071
ALUMINUM CONDUCTOR PRIMARY: 10 KV BIL SECONDARY: 10 KV BIL

Assembled in Mexico

X3 - X2 - X1 - X0
- H3 - H2 - H1

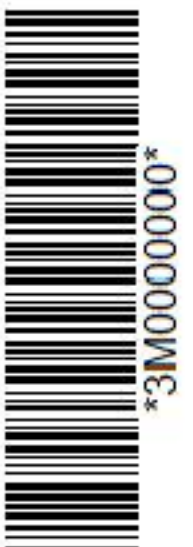
Note: Standard

X0
- X1 -
- X2 -
- X3 -



H3 - H2 - H1

X0
- X1 -
- X2 -
- X3 -



H3 - H2 - H1