



# Transformer



\*1M000000\*

**Catalog Number**      **Type** QL  
**9Q3A015AEAA13A2T30**  
**9T61B3811G53**

**15.0 KVA**    **60 HZ**      **3 PH 6 % IMP**

40 C AMB.    150 C RISE    220 C SYSTEM    IS-19C

*Note: Design is based on 15.00KVA & 150C Rise 6% Imp.*

PRIMARY (H)    240 VOLTS (LINE-LINE)  
 SECONDARY (X)    208 VOLTS (LINE-LINE)  
                          120 VOLTS (LINE-NEUTRAL)

ELECTROSTATIC GROUND SHIELD IN EACH PHASE

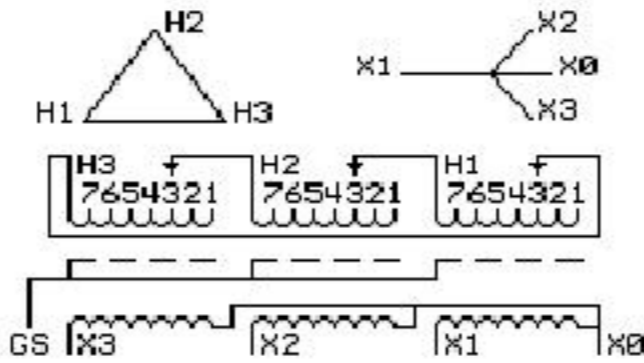
ENCLOSURE TYPE 2 (IP30). RAINPROOF TYPE 3R ENCLOSURE (IP32) WHEN PROVIDED SHIELD 9T18Y4317G11  
 SUITABLE FOR NONSINUSOIDAL CURRENT LOAD WITH K-FACTOR NOT TO EXCEED 13  
 BEFORE HANDLING, INSTALLING AND OPERATING, SEE INSTRUCTION 475A667AAP001      Outline: 303B401AAP071  
 ALUMINUM CONDUCTOR      PRIMARY: 10 KV BIL      SECONDARY: 10 KV BIL

**IN ACCORDANCE WITH NEC SECTION 450-9, ALLOW AT LEAST SIX INCHES  
 CLEARANCE FOR VENTILATION. CHECK ADDITIONAL NEC AND LOCAL CODES.**

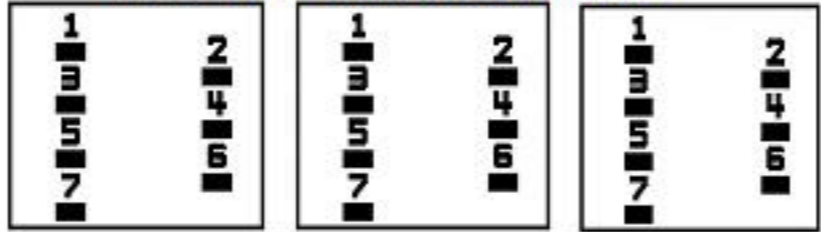
GE Energy Industrial Solutions

NEMA CLASS AA DRY TYPE TRANSFORMER

Meets TP-1 2002 efficiency



**COIL TAP ARRANGEMENT**



JUMPER CONNECTION	
TAP	VOLTS
1	251
2	246
3	240
4	234
5	228
6	221
7	216

NET WGT  
 240 LB  
 108.9 Kg

54455  
 XV371  
 NOG  
 071615

INSPECTION  
 &  
 FINAL TEST  
 N529!



LISTED 769G

Assembled in Mexico

X3 - X2 - X1 - X0  
 - H3 - H2 - H1

Note: Standard

X0

X1 -

X2 -

X3 -

H3 - H2 - H1

X1 -

X2 -

X3 -

X0

X1 -

X2 -

X3 -



\*2M000000\*



\*3M000000\*