



Transformer



1M000000

Catalog Number

Type QL

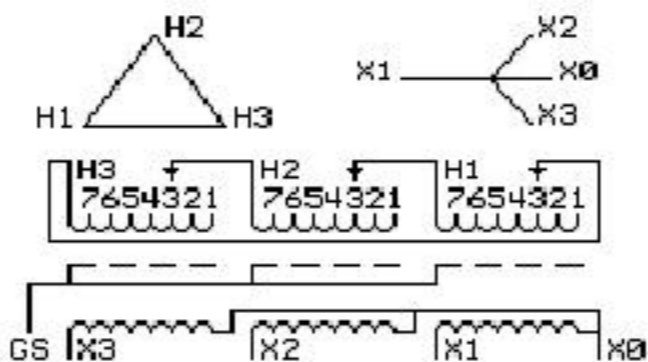
9Q3C030AFAA13C2T00

9T61C9092G83

30.0 KVA 60 HZ 3 PH 2.1 % IMP

40 C AMB. 80 C RISE 220 C SYSTEM IS-19C

Note: Design is based on 75.00KVA & 150C Rise 5.2% Imp.



JUMPER CONNECTION	
TAP	VOLTS
1	218
2	215
3	208
4	204
5	197
6	193
7	186

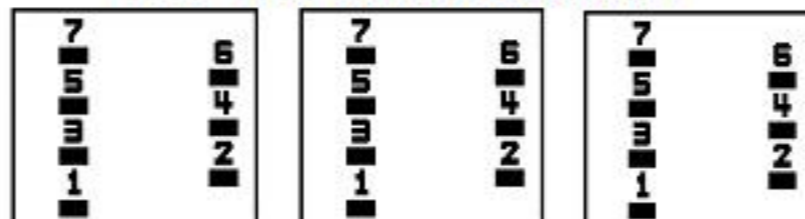
NET WGT
710 LB
322.1 Kg

37969
XV374
NOG
081115

INSPECTION
&
FINAL TEST
N533!

PRIMARY (H) 208 VOLTS (LINE-LINE)
 SECONDARY (X) 208 VOLTS (LINE-LINE)
 120 VOLTS (LINE-NEUTRAL)

COIL TAP ARRANGEMENT



LISTED 769G

ELECTROSTATIC GROUND SHIELD IN EACH PHASE

ENCLOSURE TYPE 2 (IP30). RAINPROOF TYPE 3R ENCLOSURE (IP32) WHEN PROVIDED SHIELD 9T18Y4317G06

SUITABLE FOR NONSINUSOIDAL CURRENT LOAD WITH K-FACTOR NOT TO EXCEED 13

BEFORE HANDLING, INSTALLING AND OPERATING, SEE INSTRUCTION 475A667AAP001

Outline: 303B401AAP074

COPPER CONDUCTOR

PRIMARY: 10 KV BIL

SECONDARY: 10 KV BIL

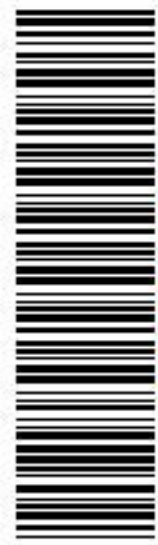
IN ACCORDANCE WITH NEC SECTION 450-9, ALLOW AT LEAST SIX INCHES CLEARANCE FOR VENTILATION. CHECK ADDITIONAL NEC AND LOCAL CODES.

Assembled in Mexico

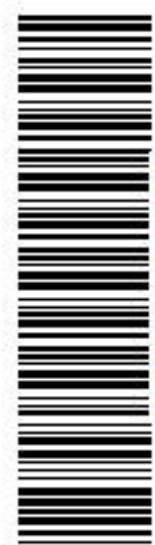
X3 - X2 - X1 - -
 - H3 - H2 - H1

Note: X0 Terminal at the bottom

X1 - -
 X2 - -
 X3 - -
 H1 - -
 H2 - -
 H3 - -
 X0 - -



2M000000



3M000000