



# Transformer



\*1M000000\*

**Catalog Number**  
**9T61C9873G23**

**Type** QL

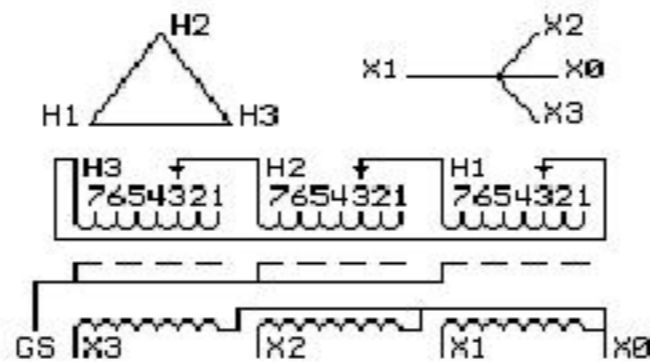
**45.0 KVA 60 HZ 3 PH 3.2 % IMP**

40 C AMB. 115 C RISE 220 C SYSTEM IS-19C

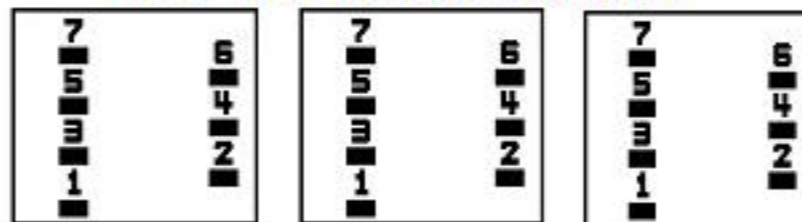
Note: Design is based on 75.00KVA & 150C Rise 5.6% Imp.

PRIMARY (H) 480 VOLTS (LINE-LINE)  
SECONDARY (X) 208 VOLTS (LINE-LINE)  
120 VOLTS (LINE-NEUTRAL)

ELECTROSTATIC GROUND SHIELD IN EACH PHASE



### COIL TAP ARRANGEMENT



JUMPER CONNECTION	
TAP	VOLTS
1	503
2	492
3	480
4	469
5	458
6	443
7	432

NET WGT  
710 LB  
322.1 Kg

42965  
XV374  
NOG  
081115

INSPECTION  
&  
FINAL TEST  
N533!



LISTED 769G

Assembled in Mexico

X3 - X2 - X1 - -  
- H3 - H2 - H1

Note: X0 Terminal at the bottom

ENCLOSURE TYPE 2 (IP30). RAINPROOF TYPE 3R ENCLOSURE (IP32) WHEN PROVIDED SHIELD 9T18Y4317G06

SUITABLE FOR NONSINUSOIDAL CURRENT LOAD WITH K-FACTOR NOT TO EXCEED 13

BEFORE HANDLING, INSTALLING AND OPERATING, SEE INSTRUCTION 475A667AAP001

Outline: 303B401AAP074

COPPER CONDUCTOR

PRIMARY: 10 KV BIL

SECONDARY: 10 KV BIL

IN ACCORDANCE WITH NEC SECTION 450-9, ALLOW AT LEAST SIX INCHES  
CLEARANCE FOR VENTILATION. CHECK ADDITIONAL NEC AND LOCAL CODES.



\*2M000000\*



\*3M000000\*

X1 - -  
X2 - -  
X3 - -  
H3 - H2 - H1  
X1 - -  
X2 - -  
X3 - -  
H3 - H2 - H1  
X0