



# Transformer



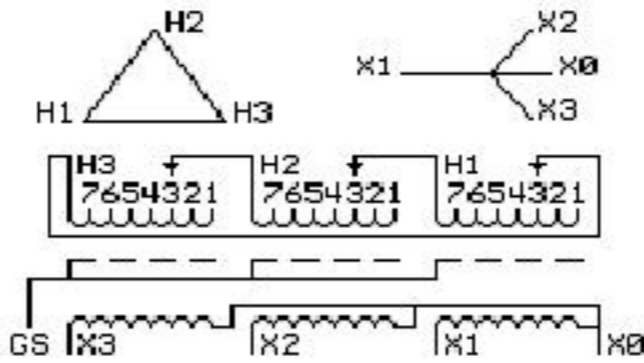
\*1M000000\*

Catalog Number **9T61V9141G13** Type **QL**

**15.0 KVA 60 HZ 3 PH 2.7 % IMP**

40 C AMB. 115 C RISE 220 C SYSTEM IS-19C

Note: Design is based on 30.00KVA & 150C Rise 5.9% Imp.



NSALEØ 45.00Ø48Ø  
+2,-4 2.4Ø%  
2Ø8Y/12Ø  
Ø911

TRANSFORMER  
ON-SIN K=13HØ  
Ø

NET WGT  
356 LB  
161.5 Kg

23293  
S32AC  
NOG  
092115

INSPECTION  
&  
FINAL TEST  
N539!

52Ø

9T61B3143G139T61B3143G13

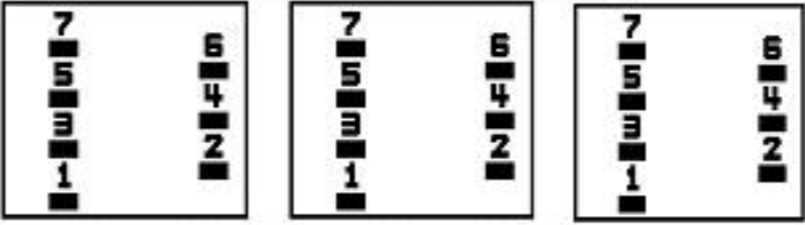
15Ø921MA3 3Ø3B4Ø1AAPØ74 YNNN 4Ø115

22ØIS-19COL 3 6ØAL1ØØ15ØY45.ØØ 3.8 62

Ø 48Ø(+2,-4 2.4

ELECTROSTATIC GROUND SHIELD IN EACH PHASE

### COIL TAP ARRANGEMENT



LISTED 769G

ENCLOSURE TYPE 2 (IP30). RAINPROOF TYPE 3R ENCLOSURE (IP32) WHEN PROVIDED SHIELD 9T18Y4317GØ5

SUITABLE FOR NONSINUSOIDAL CURRENT LOAD WITH K-FACTOR NOT TO EXCEED 13

BEFORE HANDLING, INSTALLING AND OPERATING, SEE INSTRUCTION 475A667AAPØØ1 Outline: 3Ø3B421AAPØ72

COPPER CONDUCTOR PRIMARY: 10 KV BIL SECONDARY: 10 KV BIL

IN ACCORDANCE WITH NEC SECTION 450-9, ALLOW AT LEAST SIX INCHES  
CLEARANCE FOR VENTILATION. CHECK ADDITIONAL NEC AND LOCAL CODES.

Assembled in Mexico

X3 - X2 - X1 - XØ

- H3 - H2 - H1

Note: Standard

XØ

X1 -

X2 -

X3 -

H3 - H2 - H1

X3 - X2 - X1 -

H3 - H2 - H1

XØ



\*2M000000\*



\*3M000000\*