



# Transformer



\*1M0000000\*

X0

X0

Catalog Number

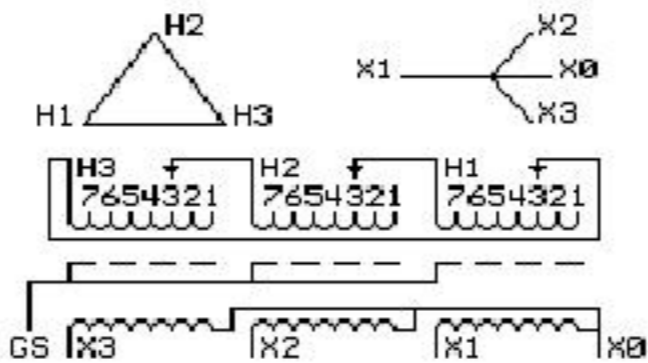
TYPE QL

## 9T61W3870G13

11.0 KVA 60 HZ 3 PH 4 % IMP

40 C AMB. 115 C RISE 220 C SYSTEM IS-19C

Note: Design is based on 15.00KVA & 150C Rise 5.8% Imp.



DWEST2 11.000480C  
+2,-4 2.50% )  
208Y/120

NET WGT

240 LB

108.9 Kg

9T40G00C7

57785

XV371

NOG

092215

0911  
NN9T61W3870G03  
N9T18W4317G11T  
TRANSFORMER N  
ON-SIN K=13H0  
0

520

INSPECTION  
&  
FINAL TEST  
N539!

X1 -

X1 -

X2 -

X3 -

H1 -

H2 -

H3 -

X1 -

X1 -

X2 -

X3 -

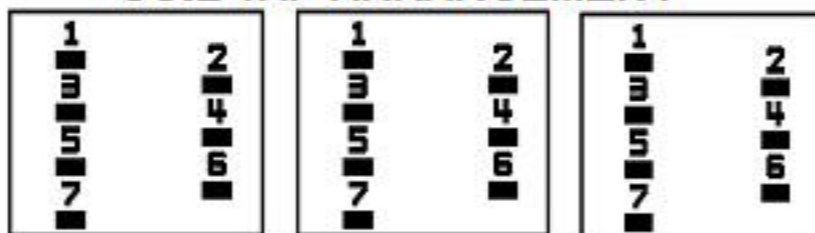
H1 -

H2 -

H3 -

9T61W3870G03 9T61W3870G03 61387003  
150922KKE 303B401MWP071 YNNN 40150  
220IS-19COL 3 60AL100150Y11.00 4.3 24  
0 480(+2,-4 2.5  
ELECTROSTATIC GROUND SHIELD IN EACH PHASE

### COIL TAP ARRANGEMENT



Assembled in Mexico

ENCLOSURE TYPE 2 (IP30). RAINPROOF TYPE 3R ENCLOSURE (IP32) WHEN PROVIDED SHIELD 9T18W4317G11  
SUITABLE FOR NONSINUSOIDAL CURRENT LOAD WITH K-FACTOR NOT TO EXCEED 13  
BEFORE HANDLING, INSTALLING AND OPERATING, SEE INSTRUCTION 475A667AAP001 Outline: 303B401MWP071  
ALUMINUM CONDUCTOR PRIMARY: 10 KV BIL SECONDARY: 10 KV BIL

X3 - X2 - X1 - X0

- H3 - H2 - H1

Note: Standard

IN ACCORDANCE WITH NEC SECTION 450-9, ALLOW AT LEAST SIX INCHES  
CLEARANCE FOR VENTILATION. CHECK ADDITIONAL NEC AND LOCAL CODES.

\*2M0000000\*

\*3M0000000\*