



Transformer



1M000000

X0

X0

Catalog Number

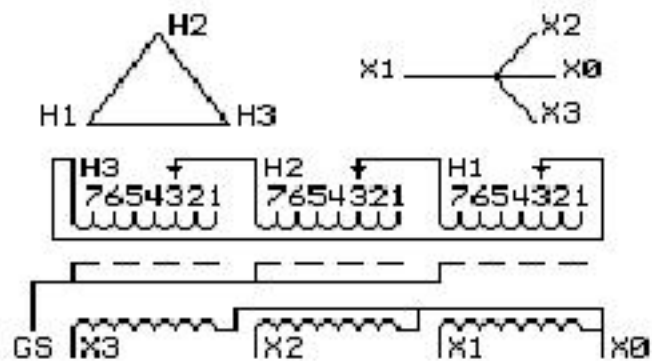
TYPE QL

9T61W3871G23

15.0 KVA 60 HZ 3 PH 5.8 % IMP

40 C AMB. 150 C RISE 220 C SYSTEM IS-19C

Note: Design is based on 15.00KVA & 150C Rise 5.8% Imp.



DWEST2 11.000480C
+2,-4 2.50%)
208Y/120

NET WGT

240 LB

108.9 Kg

9T40G00C7

57785

XV371

NOG

092215

0911
NN9T61W3870G13
N9T18W4317G11T
TRANSFORMER N
ON-SIN K=13H0
0

520

INSPECTION
&
FINAL TEST
N539!

X1 -

H1 -

X1 -

H1 -

X2 -

H2 -

X2 -

H2 -

X3 -

H3 -

X3 -

H3 -

9T61W3870G13 9T61W3870G13

61387013

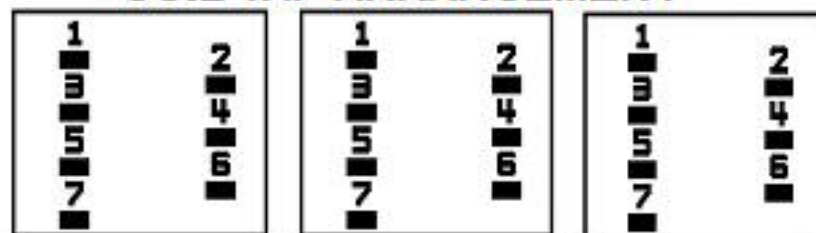
150922KKE 303B401MWP071 YNNN 40115

220IS-19COL 3 60AL100150Y11.00 4 24

0 480(+2,-4 2.5

ELECTROSTATIC GROUND SHIELD IN EACH PHASE

COIL TAP ARRANGEMENT



Assembled in Mexico

ENCLOSURE TYPE 2 (IP30). RAINPROOF TYPE 3R ENCLOSURE (IP32) WHEN PROVIDED SHIELD 9T18W4317G11

SUITABLE FOR NONSINUSOIDAL CURRENT LOAD WITH K-FACTOR NOT TO EXCEED 13

BEFORE HANDLING, INSTALLING AND OPERATING, SEE INSTRUCTION 475A667AAP001

Outline: 303B401MWP071

ALUMINUM CONDUCTOR

PRIMARY: 10 KV BIL

SECONDARY: 10 KV BIL

X3 - X2 - X1 - X0

- H3 - H2 - H1

IN ACCORDANCE WITH NEC SECTION 450-9, ALLOW AT LEAST SIX INCHES

CLEARANCE FOR VENTILATION. CHECK ADDITIONAL NEC AND LOCAL CODES.

Note: Standard

2M000000

3M000000