



Transformer



1M000000

Catalog Number

Type QL

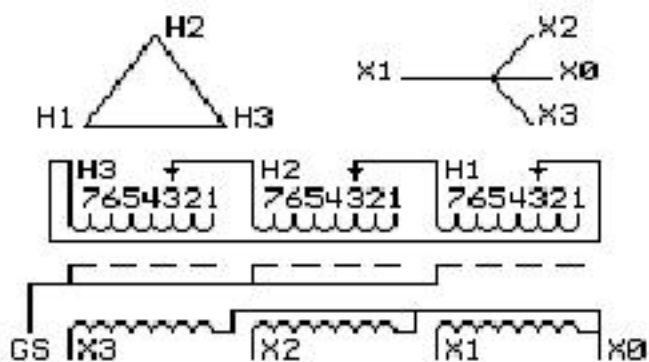
9Q3C075AAAZ20C2T00

9T62C9384G83

75.0 KVA 60 HZ 3 PH 2.3 % IMP

40 C AMB. 80 C RISE 220 C SYSTEM IS-19C

Note: Design is based on 150.0KVA & 150C Rise 4.9% Imp.



JUMPER CONNECTION	
TAP	VOLTS
1	503
2	492
3	480
4	466
5	455
6	445
7	434

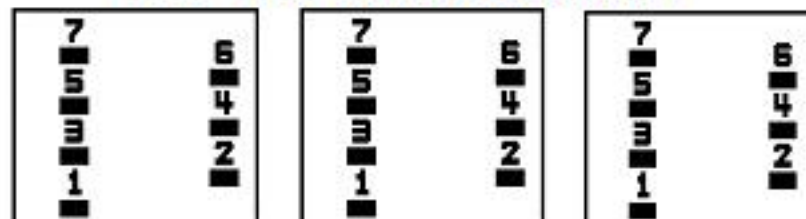
NET WGT
1190 LB
539.8 Kg

27712
XV376
NOG
072715

INSPECTION
&
FINAL TEST
N531!

PRIMARY (H) 480 VOLTS (LINE-LINE)
 SECONDARY (X) 220 VOLTS (LINE-LINE)
 127 VOLTS (LINE-NEUTRAL)

COIL TAP ARRANGEMENT



LISTED 769G

ELECTROSTATIC GROUND SHIELD IN EACH PHASE

ENCLOSURE TYPE 2 (IP30). RAINPROOF TYPE 3R ENCLOSURE (IP32) WHEN PROVIDED SHIELD 9T18Y4317G07

SUITABLE FOR NONSINUSOIDAL CURRENT LOAD WITH K-FACTOR NOT TO EXCEED 20

BEFORE HANDLING, INSTALLING AND OPERATING, SEE INSTRUCTION 475A667AAP001

Outline: 303B401AAP076

COPPER CONDUCTOR

PRIMARY: 10 KV BIL

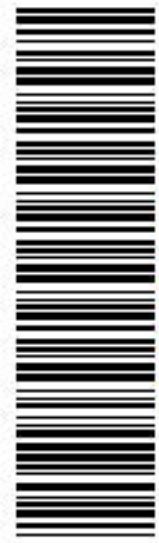
SECONDARY: 10 KV BIL

IN ACCORDANCE WITH NEC SECTION 450-9, ALLOW AT LEAST SIX INCHES CLEARANCE FOR VENTILATION. CHECK ADDITIONAL NEC AND LOCAL CODES.

Assembled in Mexico

X3 - X2 - X1 - -
 - H3 - H2 - H1

Note: X0 Terminal at the bottom



2M000000



3M000000

X1 - -
 X2 - -
 X3 - -
 H1 - -
 H2 - -
 H3 - -
 X0 - -
 X1 - -
 X2 - -
 X3 - -
 H1 - -
 H2 - -
 H3 - -