



K Factor Transformer

NEMA CLASS AA DRY TYPE TRANSFORMER



1M000000

Catalog Number Type QL

9Q3A045AAAD04B2T00

9T64B3853G13

45.0 KVA 60 HZ 3 PH 3.8 % IMP

40 C AMB. 115 C RISE 220 C SYSTEM IS-19C

Note: Design is based on 75.00KVA & 150C Rise 6.5% Imp.

PRIMARY (H) 480 VOLTS (LINE-LINE)
SECONDARY (X) 480 VOLTS (LINE-LINE)
277 VOLTS (LINE-NEUTRAL)

ELECTROSTATIC GROUND SHIELD IN EACH PHASE

ENCLOSURE TYPE 2 (IP20). RAINPROOF TYPE 3R ENCLOSURE (IP22) WHEN PROVIDED SHIELD 9T18Y4317G06

SUITABLE FOR NONSINUSOIDAL CURRENT LOAD WITH K-FACTOR NOT TO EXCEED 4

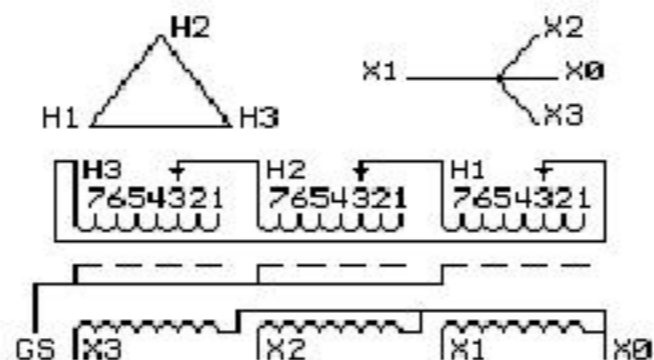
BEFORE HANDLING, INSTALLING AND OPERATING, SEE INSTRUCTION 475A667AAP001

Outline: 303B401AAP074

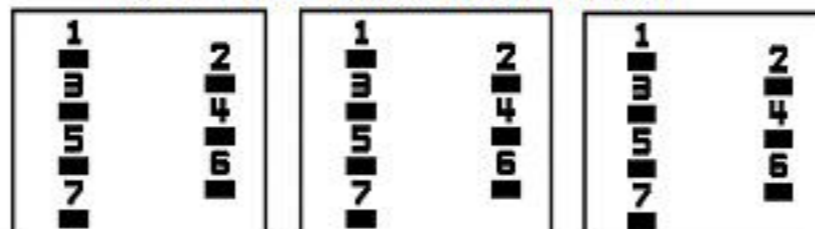
ALUMINUM CONDUCTOR PRIMARY: 10 KV BIL SECONDARY: 10 KV BIL

IN ACCORDANCE WITH NEC SECTION 450-9, ALLOW AT LEAST SIX INCHES
CLEARANCE FOR VENTILATION. CHECK ADDITIONAL NEC AND LOCAL CODES.

NOT FOR SALE FOR USE IN THE UNITED STATES



COIL TAP ARRANGEMENT



JUMPER CONNECTION TAP	VOLTS
1	504
2	493
3	480
4	468
5	457
6	443
7	432

NET WGT
620 LB
281.2 Kg

55661
XV374

NOG
030116

INSPECTION
&
FINAL TEST
N610!



Assembled in Mexico

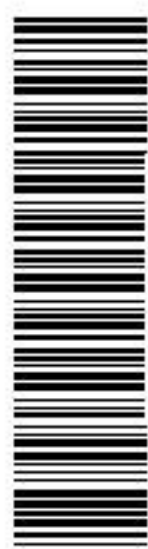
X3 - X2 - X1 - -
- H3 - H2 - H1

Note: X0 Terminal at the bottom

X1 - -
X2 - - H1
X3 - - H3
X1 - -
X2 - - H2
X3 - - H3
X0



2M000000



3M000000