



Transformer

Catalog Number

9T64V9876G53

150.0 KVA 60 HZ 3 PH 3.9 % IMP

40 C AMB. 150 C RISE 220 C SYSTEM IS-19C Type: QL

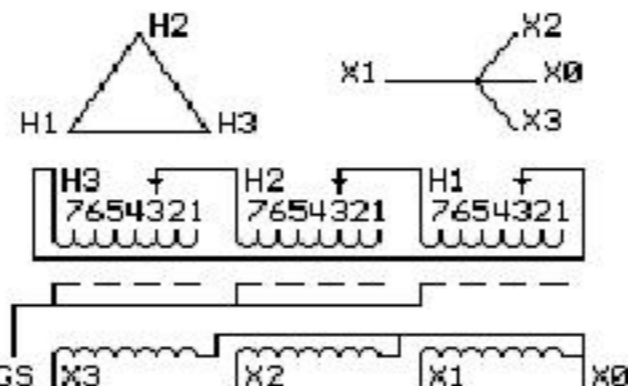
9T64B3593G039T64B3593G03

150911JA0 303B401AAP074 NNNN 40150

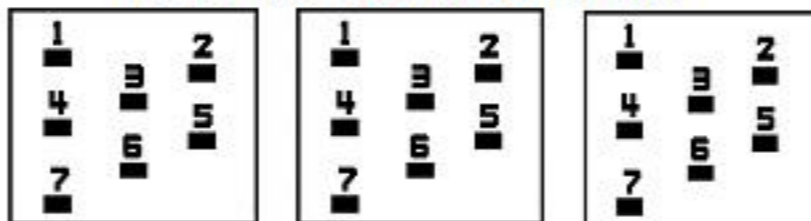
220IS-19CQL 3 60AL100150Y45.00 3.4 62

0 575(+2,-4 2.5

ELECTROSTATIC GROUND SHIELD IN EACH PHASE



COIL TAP ARRANGEMENT



NSALE0 45.000575C
+2,-4 2.50%)
208Y/120

NN 0911
N9T18Y4317G06T
TRANSFORMER N
ON-SIN K=04H0
0

520

NET WGT 1710 LB 775.7 Kg

091115 N537! S37AC
57204 NOG

ENCLOSURE TYPE 2 (IP30). RAINPROOF TYPE 3R ENCLOSURE (IP32) WHEN PROVIDED SHIELD 9T18Y4322G88

SUITABLE FOR NONSINUSOIDAL CURRENT LOAD WITH K-FACTOR NOT TO EXCEED 4
BEFORE HANDLING, INSTALLING AND OPERATING, SEE INSTRUCTION 475A667AAP001
COPPER CONDUCTOR PRIMARY: 10 KV BIL SECONDARY: 10 KV BIL

**IN ACCORDANCE WITH NEC SECTION 450-9, ALLOW AT LEAST SIX INCHES
CLEARANCE FOR VENTILATION. CHECK ADDITIONAL NEC AND LOCAL CODES.**



LISTED 769G

Outline: 303B918AAP077
Assembled in Mexico

INSPECTION & FINAL TEST
N537!

