



# Transformer



\*1M000000\*

Catalog Number

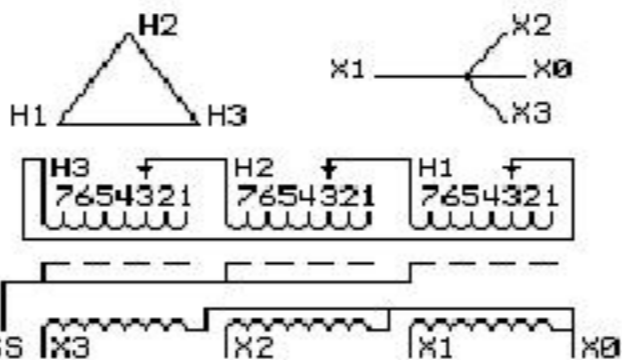
TYPE QL

## 9T64W9873G23

45.0 KVA    60 HZ    3 PH 3.2 % IMP

40 C AMB.    115 C RISE    220 C SYSTEM    IS-19C

Note: Design is based on 75.00KVA & 150C Rise 5.6% Imp.



JUMPER CONNECTION	
TAP	VOLTS
1	503
2	492
3	480
4	469
5	458
6	443
7	432

NET WGT

710 LB

322.1 Kg

9T40G00C7

42965

XV374

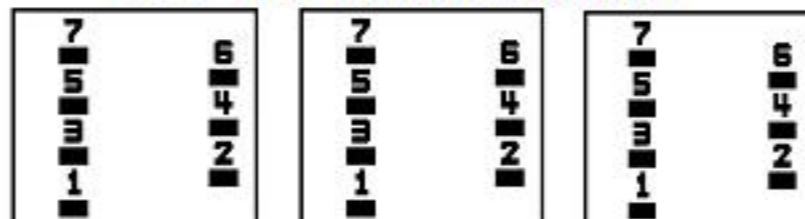
NOG

081115

INSPECTION & FINAL TEST N533!

PRIMARY (H)    480 VOLTS (LINE-LINE)  
 SECONDARY (X)    208 VOLTS (LINE-LINE)  
                           120 VOLTS (LINE-NEUTRAL)

### COIL TAP ARRANGEMENT



LISTED 769G

ELECTROSTATIC GROUND SHIELD IN EACH PHASE

ENCLOSURE TYPE 2 (IP30). RAINPROOF TYPE 3R ENCLOSURE (IP32) WHEN PROVIDED SHIELD 9T18W4317G06

SUITABLE FOR NONSINUSOIDAL CURRENT LOAD WITH K-FACTOR NOT TO EXCEED 4

BEFORE HANDLING, INSTALLING AND OPERATING, SEE INSTRUCTION 475A667AAP001

Outline: 303B401MWP074

COPPER CONDUCTOR

PRIMARY: 10 KV BIL

SECONDARY: 10 KV BIL

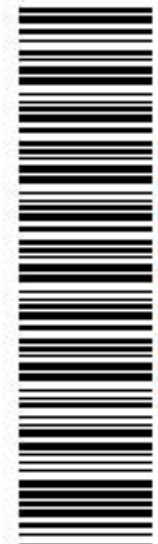
Assembled in Mexico

X3 - X2 - X1 - -  
 - H3 - H2 - H1

Note: X0 Terminal at the bottom



\*2M000000\*



\*3M000000\*

X3 - X2 - X1 - -  
 - H3 - H2 - H1  
 X3 - X2 - X1 - -  
 - H3 - H2 - H1  
 X0