

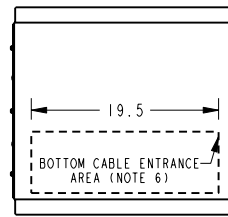


GENERAL ELECTRIC

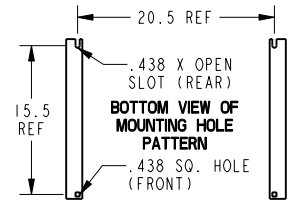
DRY TYPE TRANSFORMERS

NOTES:

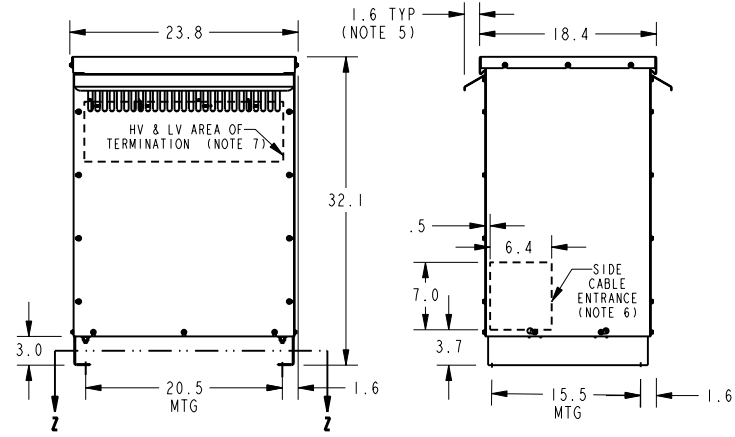
- 1) ALL UNITS ARE UL LISTED AND ARE DESIGNED IN ACCORDANCE WITH ANSI C89.2 AND NEMA ST-20 STANDARDS.
- 2) TRANSFORMERS UTILIZE A UL RECOGNIZED 220°C INSULATION SYSTEM. THE TEMPERATURE RISE(S) FOR THE SPECIFIC KVA RATINGS REFERENCED IN THE TABLE BELOW ARE DETERMINED WHEN THE TRANSFORMER IS MOUNTED IN A STANDARD ENCLOSURE.
- 3) TRANSFORMERS ARE DESIGNED FOR FLOOR MOUNTING. OPTIONAL WALL MOUNTING BRACKETS ARE AVAILABLE FOR THE TRANSFORMER SIZES REFERENCED IN THE TABLE BELOW.
- 4) TRANSFORMERS ARE DRY TYPE, CLASS AA, WITH VENTILATED ENCLOSURES FOR INDOOR USE. OPTIONAL RAINSHIELD KITS ARE AVAILABLE TO ADAPT ALL SIZES FOR TYPE 3R OUTDOOR USE WITHOUT VOIDING THE WARRANTY.
- 5) APPLICABLE WHEN OPTIONAL RAINSHIELDS ARE INSTALLED. RAINSHIELDS ARE SHIPPED IN KITS FOR FIELD INSTALLATION.
- 6) CABLE ENTRANCE IS PERMITTED THROUGH THE LEFT SIDE, RIGHT SIDE AND/OR BOTTOM ENCLOSURE PANELS ONLY. CABLE ENTRANCE IS NOT PERMITTED THROUGH THE FRONT, REAR OR TOP PANELS.
- 7) 0.406" DIA HOLES ARE PROVIDED FOR CUSTOMER TERMINATION.
- 8) FOR LIFTING, OTHER THAN WITH A FORK TRUCK, REMOVE TOP COVER AND USE 1" DIAMETER HOLES IN THE TOP CORE CLAMPS.
- 9) PAINT COLOR IS ANSI #61 GRAY.
- 10) 6" MINIMUM CLEARANCE IS REQUIRED FROM ALL WALLS.



TOP VIEW

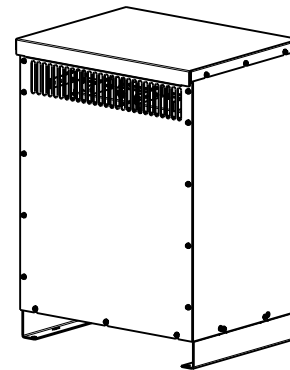


SECTION Z-Z



FRONT VIEW

SIDE VIEW



ISOMETRIC VIEW

TYPICAL kVA RATINGS AND TEMPERATURE RISES					
COIL	REF. kVA AT			WEIGHT LBS. (APPROX.)	dB LEVEL
	150°C RISE	115°C RISE	80°C RISE		
ALUMINUM	25	N/A	N/A	280	45
COPPER	25	25	N/A	350	

QTY.	COIL CONDUCTOR	kVA	TEMP RISE	VOLTAGE		TAPS
				PRIMARY	SECONDARY	

CUSTOMER	UNLESS OTHERWISE SPECIFIED ALL DIMENSIONS ARE IN INCHES		GENERAL ELECTRIC COMPANY GE Consumer & Industrial
JOB NAME	THIRD ANGLE PROJECTION		
LINE #	SHEET 1 OF 3	CATALOG NO. 9T83B2670	REV. 4
DESIGNATION			DRW NO. 303B406AAP071

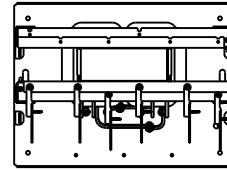


GENERAL ELECTRIC

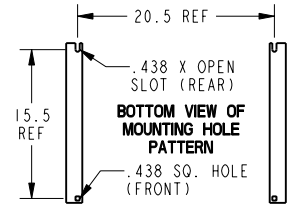
DRY TYPE TRANSFORMERS

NOTES:

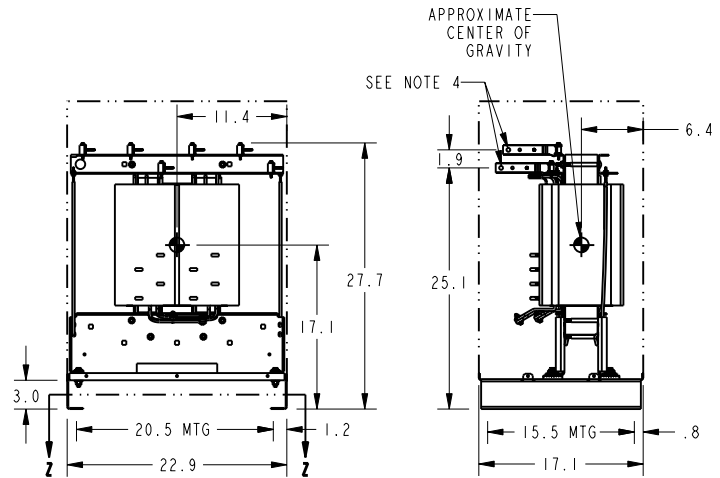
- 1) ALL UNITS ARE UL LISTED AND ARE DESIGNED IN ACCORDANCE WITH ANSI C89.2 AND NEMA ST-20 STANDARDS.
- 2) TRANSFORMERS UTILIZE A UL RECOGNIZED 220°C INSULATION SYSTEM. THE TEMPERATURE RISE(S) FOR THE SPECIFIC KVA RATINGS REFERENCED IN THE TABLE BELOW ARE DETERMINED WHEN THE TRANSFORMER IS MOUNTED IN A STANDARD ENCLOSURE.
- 3) TRANSFORMERS ARE DRY TYPE, CLASS AA, FOR INDOOR USE.
- 4) 0.406" DIA HOLES ARE PROVIDED FOR CUSTOMER TERMINATION.
- 5) FOR LIFTING, OTHER THAN WITH A FORK TRUCK, USE 1" DIAMETER HOLES IN THE TOP CORE CLAMPS.
- 6) BASE PAINT COLOR IS ANSI #61 GRAY.
- 7) 6" MINIMUM CLEARANCE IS REQUIRED FROM ALL WALLS.



TOP VIEW

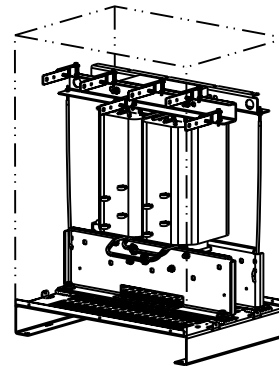


SECTION 2-2



FRONT VIEW

SIDE VIEW



ISOMETRIC VIEW

TYPICAL KVA RATINGS AND TEMPERATURE RISES					
COIL	REF. kVA AT			WEIGHT LBS. (APPROX.)	dB LEVEL
	150°C RISE	115°C RISE	80°C RISE		
ALUMINUM	25	N/A	N/A	235	45
COPPER	25	25	N/A	305	

QTY.	COIL CONDUCTOR	KVA	TEMP RISE	VOLTAGE		TAPS
				PRIMARY	SECONDARY	

CUSTOMER	UNLESS OTHERWISE SPECIFIED ALL DIMENSIONS ARE IN INCHES		GENERAL ELECTRIC COMPANY GE Consumer & Industrial
JOB NAME	THIRD ANGLE PROJECTION		OUTLINE DRAWING (CORE & COIL UNIT WITH BASE) TP1, 1 PHASE
LINE #			
DESIGNATION			
DRW NO. 303B406AAP071	SHEET 2 OF 3		CATALOG NO. 9T83B2670
			REV. 4

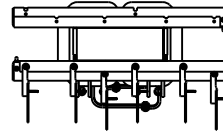


GENERAL ELECTRIC

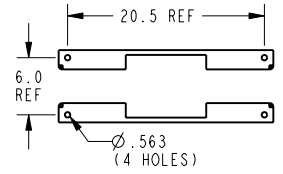
DRY TYPE TRANSFORMERS

NOTES:

- 1) ALL UNITS ARE UL LISTED AND ARE DESIGNED IN ACCORDANCE WITH ANSI C89.2 AND NEMA ST-20 STANDARDS.
- 2) TRANSFORMERS UTILIZE A UL RECOGNIZED 220°C INSULATION SYSTEM. THE TEMPERATURE RISE(S) FOR THE SPECIFIC KVA RATINGS REFERENCED IN THE TABLE BELOW ARE DETERMINED WHEN THE TRANSFORMER IS MOUNTED IN A STANDARD ENCLOSURE.
- 3) TRANSFORMERS ARE DRY TYPE, CLASS AA, FOR INDOOR USE.
- 4) 0.406" DIA HOLES ARE PROVIDED FOR CUSTOMER TERMINATION.
- 5) FOR LIFTING, OTHER THAN WITH A FORK TRUCK, USE 1" DIAMETER HOLES IN THE TOP CORE CLAMPS.
- 6) 6" MINIMUM CLEARANCE IS REQUIRED FROM ALL WALLS.

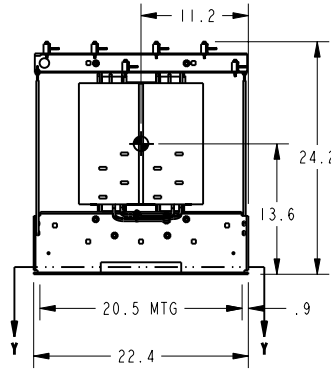


TOP VIEW

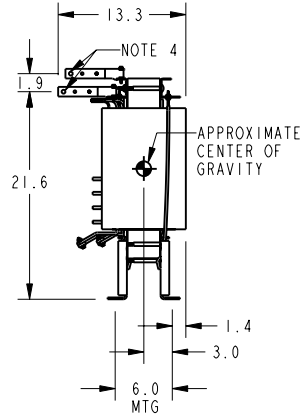


BOTTOM VIEW OF MOUNTING HOLE PATTERN

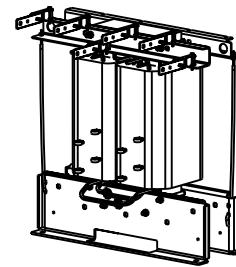
SECTION Y-Y



FRONT VIEW



SIDE VIEW



ISOMETRIC VIEW

TYPICAL KVA RATINGS AND TEMPERATURE RISES					
COIL	REF. kVA AT			WEIGHT LBS. (APPROX.)	dB LEVEL
	150° C RISE	115° C RISE	80° C RISE		
ALUMINUM	25	N/A	N/A	235	45
COPPER	25	25	N/A	305	

QTY.	COIL CONDUCTOR	KVA	TEMP RISE	VOLTAGE		TAPS
				PRIMARY	SECONDARY	

CUSTOMER	UNLESS OTHERWISE SPECIFIED ALL DIMENSIONS ARE IN INCHES		GENERAL ELECTRIC COMPANY GE Consumer & Industrial
JOB NAME	THIRD ANGLE PROJECTION		
LINE #	SHEET 3 OF 3	CATALOG NO. 9T83B2670	REV. 4
DESIGNATION			DRW NO. 303B406AAP071