



# Transformer



\*M0000000\*

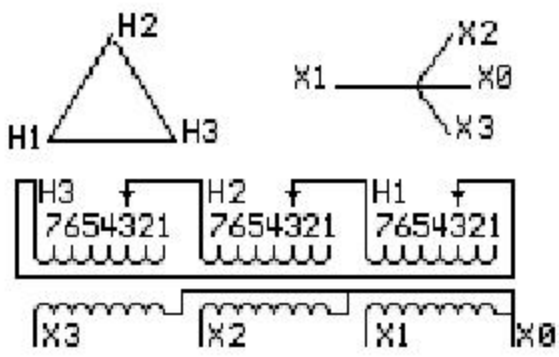
Catalog Number      Type QL

9T83B3092

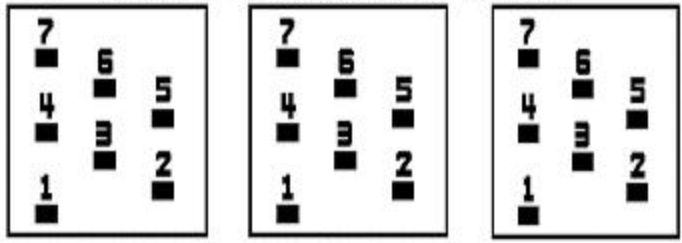
30.0 KVA    60 HZ    3 PH 6 % IMP

40 C AMB.    150 C RISE    220 C SYSTEM    IS-19C

PRIMARY (H)    208 VOLTS (LINE-LINE)  
SECONDARY (X)    208 VOLTS (LINE-LINE)  
                          120 VOLTS (LINE-NEUTRAL)



### COIL TAP ARRANGEMENT



JUMPER CONNECTION	
TAP	VOLTS
1	218
2	214
3	208
4	203
5	197
6	192
7	188

NET WGT  
334 LB  
151.5 Kg  
9T83B3092  
26343  
KV372  
NOG  
013013

INSPECTION  
&  
FINAL TEST  
N305!



LISTED 769G

Assembled in Mexico

ENCLOSURE TYPE 2 (IP30). RAINPROOF TYPE 3R ENCLOSURE (IP32) WHEN PROVIDED SHIELD 9T18Y4317G05

BEFORE HANDLING, INSTALLING AND OPERATING, SEE INSTRUCTION 475A667AAP001      Outline: 303B401AAP072  
ALUMINUM CONDUCTOR      PRIMARY: 10 KV BIL      SECONDARY: 10 KV BIL

IN ACCORDANCE WITH NEC SECTION 450-9, ALLOW AT LEAST SIX INCHES CLEARANCE FOR VENTILATION. CHECK ADDITIONAL NEC AND LOCAL CODES.

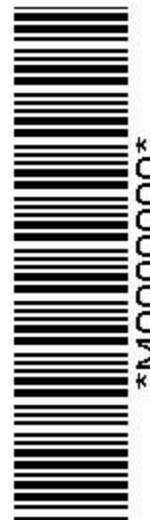
X3 - X2 - X1 - -  
- H3 - H2 - H1

Note: X0 Terminal at the bottom

X3 - X2 - X1 - -  
- H3 - H2 - H1  
X3 - X2 - X1 - -  
- H3 - H2 - H1  
X0



\*M0000000\*



\*M0000000\*