



Transformer



M0000000

Catalog Number

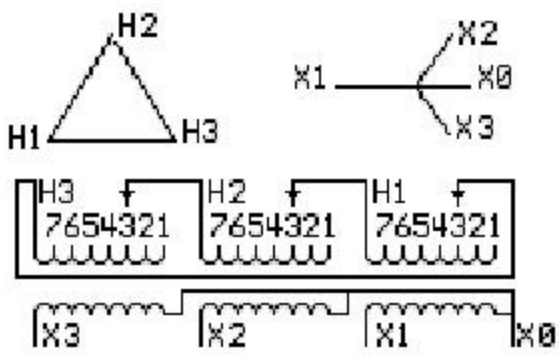
Type QL

9T83B3096

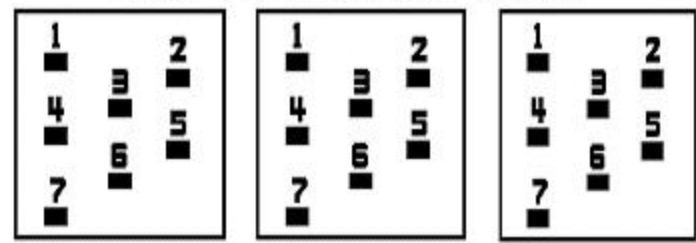
150.0 KVA 60 HZ 3 PH 6.7 % IMP

40 C AMB. 150 C RISE 220 C SYSTEM IS-19C

PRIMARY (H) 208 VOLTS (LINE-LINE)
SECONDARY (X) 208 VOLTS (LINE-LINE)
120 VOLTS (LINE-NEUTRAL)



COIL TAP ARRANGEMENT



JUMPER CONNECTION

TAP	VOLTS
1	219
2	214
3	208
4	204
5	198
6	193
7	188

NET WGT

1070 LB
485.4 Kg

9T83B3096

26615

WU376

NOG

012313

INSPECTION

&

FINAL TEST

N304!



LISTED 769G

Assembled in Mexico

ENCLOSURE TYPE 2 (IP30). RAINPROOF TYPE 3R ENCLOSURE (IP32) WHEN PROVIDED SHIELD 9T18Y4317G07

BEFORE HANDLING, INSTALLING AND OPERATING, SEE INSTRUCTION 475A667AAP001

Outline: 303B401AAP076

ALUMINUM CONDUCTOR

PRIMARY: 10 KV BIL

SECONDARY: 10 KV BIL

IN ACCORDANCE WITH NEC SECTION 450-9, ALLOW AT LEAST SIX INCHES CLEARANCE FOR VENTILATION. CHECK ADDITIONAL NEC AND LOCAL CODES.

X3 - X2 - X1 - -

- H3 - H2 - H1

Note: X0 Terminal at the bottom

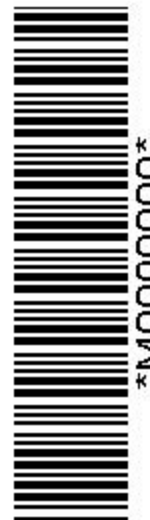
X3 - X2 - X1 -
- H3 - H2 - H1

X3 - X2 - X1 -
- H3 - H2 - H1

X0



M0000000



M0000000