



Transformer



M0000000

Catalog Number
9T83B3873G97

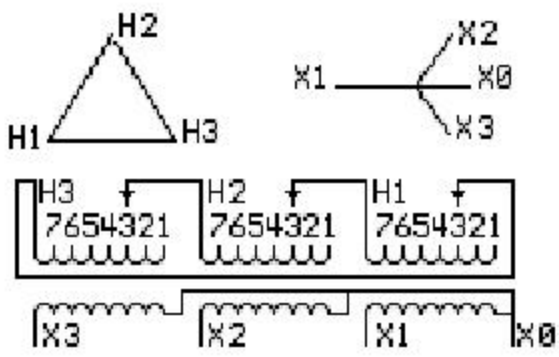
Type QL

45.0 KVA 60 HZ 3 PH 5.9 % IMP

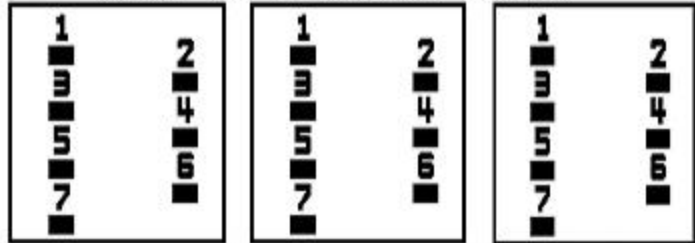
40 C AMB. 150 C RISE 220 C SYSTEM IS-19C

Note: Design is based on 30.00KVA & 80C Rise 3.4% Imp.

PRIMARY (H) 480 VOLTS (LINE-LINE)
SECONDARY (X) 208 VOLTS (LINE-LINE)
120 VOLTS (LINE-NEUTRAL)



COIL TAP ARRANGEMENT



| JUMPER CONNECTION | |
|-------------------|-------|
| TAP | VOLTS |
| 1 | 503 |
| 2 | 492 |
| 3 | 480 |
| 4 | 469 |
| 5 | 455 |
| 6 | 443 |
| 7 | 432 |

NET WGT
415 LB
188.2 Kg
9T83B3872G80
27404
W373
NOG
020413

INSPECTION
&
FINAL TEST
N306!



LISTED 769G

ENCLOSURE TYPE 2 (IP30). RAINPROOF TYPE 3R ENCLOSURE (IP32) WHEN PROVIDED SHIELD 9T18Y4317G05

Assembled in Mexico

BEFORE HANDLING, INSTALLING AND OPERATING, SEE INSTRUCTION 475A667AAP001 Outline: 303B408AAP073
ALUMINUM CONDUCTOR PRIMARY: 10 KV BIL SECONDARY: 10 KV BIL

IN ACCORDANCE WITH NEC SECTION 450-9, ALLOW AT LEAST SIX INCHES CLEARANCE FOR VENTILATION. CHECK ADDITIONAL NEC AND LOCAL CODES.

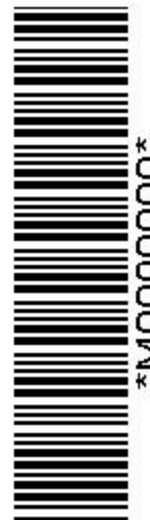
X3 - X2 - X1 - -
- H3 - H2 - H1

Note: X0 Terminal at the bottom

X3 - X2 - X1 - -
- H3 - H2 - H1
X3 - X2 - X1 - -
- H3 - H2 - H1
X0



M0000000



M0000000