



# Transformer



\*M0000000\*

Catalog Number  
9T83C9531G15

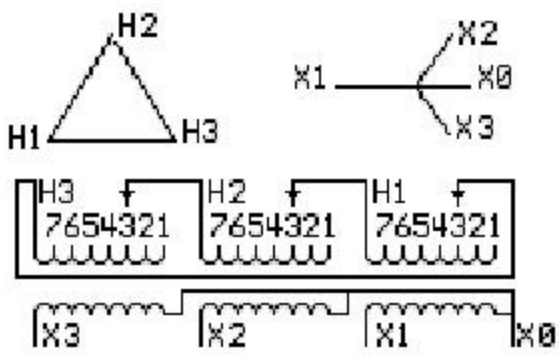
Type QL

15.0 KVA 60 HZ 3 PH 5.3 % IMP

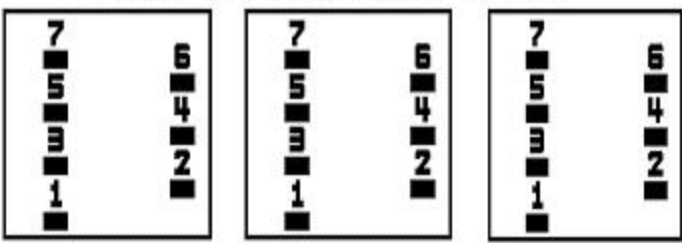
40 C AMB. 115 C RISE 220 C SYSTEM IS-19C

Note: Design is based on 15.00KVA & 150C Rise 5.3% Imp.

PRIMARY (H) 480 VOLTS (LINE-LINE)  
SECONDARY (X) 380 VOLTS (LINE-LINE)  
219 VOLTS (LINE-NEUTRAL)



### COIL TAP ARRANGEMENT



JUMPER CONNECTION TAP	VOLTS
1	504
2	492
3	480
4	468
5	457
6	444
7	432

NET WGT  
250 LB  
113.4 Kg  
9T83C9531  
26734  
XU371  
NOG  
012313

INSPECTION & FINAL TEST N304!



LISTED 769G

ENCLOSURE TYPE 2 (IP30). RAINPROOF TYPE 3R ENCLOSURE (IP32) WHEN PROVIDED SHIELD 9T18Y4317G11

Assembled in Mexico

BEFORE HANDLING, INSTALLING AND OPERATING, SEE INSTRUCTION 475A667AAP001 Outline: 303B401AAP071  
COPPER CONDUCTOR PRIMARY: 10 KV BIL SECONDARY: 10 KV BIL

IN ACCORDANCE WITH NEC SECTION 450-9, ALLOW AT LEAST SIX INCHES CLEARANCE FOR VENTILATION. CHECK ADDITIONAL NEC AND LOCAL CODES.

X3 - X2 - X1 - X0  
- H3 - H2 - H1

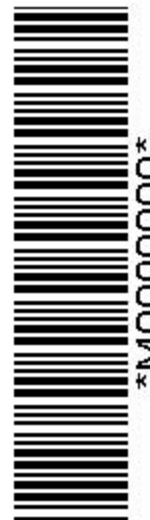
Note: Standard

X0  
-  
X1 - H1  
-  
X2 - H2  
-  
X3 - H3

X0  
-  
X1 - H1  
-  
X2 - H2  
-  
X3 - H3



\*M0000000\*



\*M0000000\*