

SIEMENS

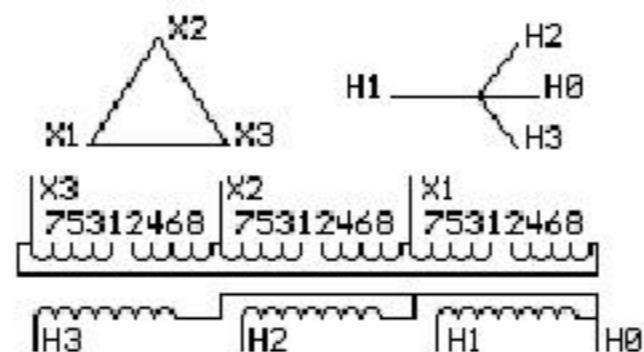
Catalog Number **9T83M3808**

300.0 KVA 60 HZ 3 PH 6.6 % IMP

40 C AMB. 150 C RISE 220 C SYSTEM IS-19C Type: QL

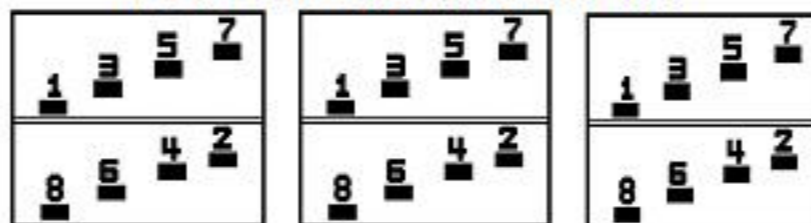
Note: Design is based on 300.0KVA & 150C Rise 6.6% Imp.

PRIMARY (X) 208 VOLTS (LINE-LINE)
SECONDARY (H) 480 VOLTS (LINE-LINE)
 277 VOLTS (LINE-NEUTRAL)



| JUMPER CONNECTION | |
|-------------------|-------|
| TAP | VOLTS |
| 1-2 | 218 |
| 2-3 | 213 |
| 3-4 | 208 |
| 4-5 | 203 |
| 5-6 | 198 |
| 6-7 | 192 |
| 7-8 | 187 |

COIL TAP ARRANGEMENT



NET WGT 2016 LB 914.5 Kg

072115 N530! YF378
833808 55284 NOG

ENCLOSURE TYPE 2 (IP30). RAINPROOF TYPE 3R ENCLOSURE (IP32) WHEN PROVIDED SHIELD 9T18M4322G 88

BEFORE HANDLING, INSTALLING AND OPERATING, SEE INSTRUCTION 475A667AAP001
ALUMINUM CONDUCTOR PRIMARY: 10 KV BIL SECONDARY: 10 KV BIL

IN ACCORDANCE WITH NEC SECTION 450-9, ALLOW AT LEAST SIX INCHES CLEARANCE FOR VENTILATION. CHECK ADDITIONAL NEC AND LOCAL CODES.



LISTED 769G

Outline: 3038919AAP178
Assembled in Mexico

INSPECTION & FINAL TEST
N530!

