

# SIEMENS



\*1M000000\*

X0

X0

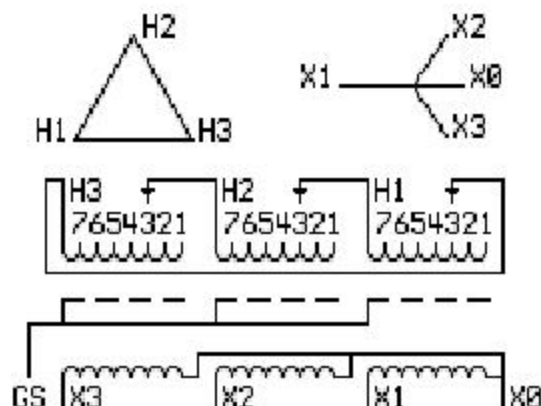
Catalog Number TYPE QL

## 3B3Y015XESCTP1

15.0 KVA 60 HZ 3 PH 5 % IMP

40 C AMB. 150 C RISE 220 C SYSTEM IS-19C

Note: Imp% is based on Ref design 15.00KVA & 150C Rise.



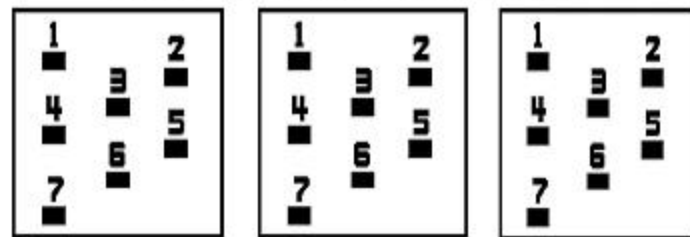
JUMPER CONNECTION	
TAP	VOLTS
1	219
2	213
3	208
4	203
5	198
6	193
7	187

NET WGT  
250 LB  
113.4 Kg  
83C9091  
14628  
XU371  
NOG  
040710

INSPECTION  
&  
FINAL TEST  
N015&

PRIMARY (H) 208 VOLTS (LINE-LINE)  
SECONDARY (X) 208 VOLTS (LINE-LINE)  
120 VOLTS (LINE-NEUTRAL)

### COIL TAP ARRANGEMENT



LISTED 769G

ELECTROSTATIC GROUND SHIELD IN EACH PHASE

ENCLOSURE TYPE 2 (IP30). RAINPROOF TYPE 3R ENCLOSURE (IP32) WHEN PROVIDED SHIELD 9T18M4317G11

Assembled in Mexico

BEFORE HANDLING, INSTALLING AND OPERATING, SEE INSTRUCTION 475A667AAP001 Outline: 303B403AAP071  
COPPER CONDUCTOR PRIMARY: 10 KV BIL SECONDARY: 10 KV BIL

X3 - X2 - X1 - X0  
- H3 - H2 - H1

IN ACCORDANCE WITH NEC SECTION 450-9, ALLOW AT LEAST SIX INCHES CLEARANCE FOR VENTILATION. CHECK ADDITIONAL NEC AND LOCAL CODES.

Note: Standard



\*2M000000\*



\*2M000000\*

X3 - X2 - X1 - X0  
- H3 - H2 - H1  
- H3 - H2 - H1