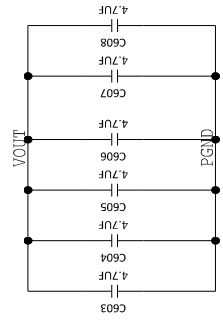
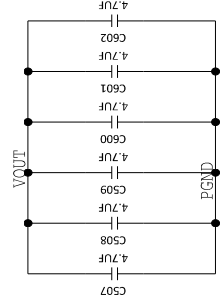
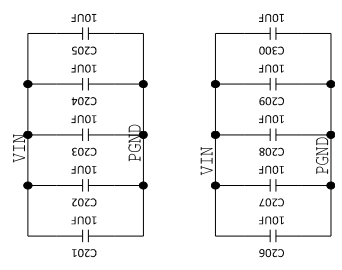
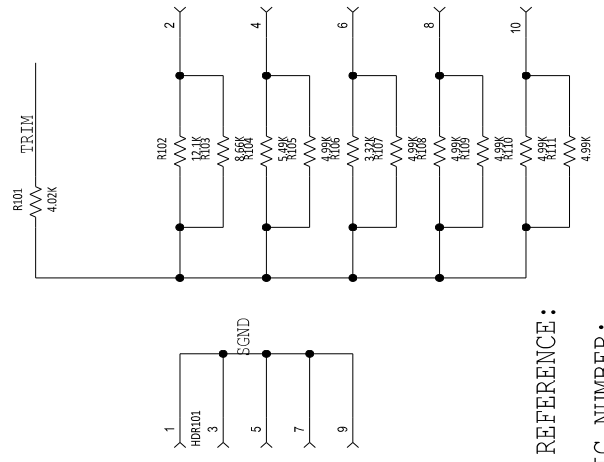


JUMPER FOR EXTERNAL TRIM CIRCUIT



TITLE:	
SUBTITLE:	
PROJECT:	
SHEET:	OF:
LAST WRITTEN:	Wed Nov 01 14:27:00F2017

PROJECT REFERENCE:
 SCHEMATIC NUMBER:
 SCHEMATIC REVISION:
 SCHEMATIC DRAWN BY: 300011545

GE-ENERGY
 PROPRIETARY -