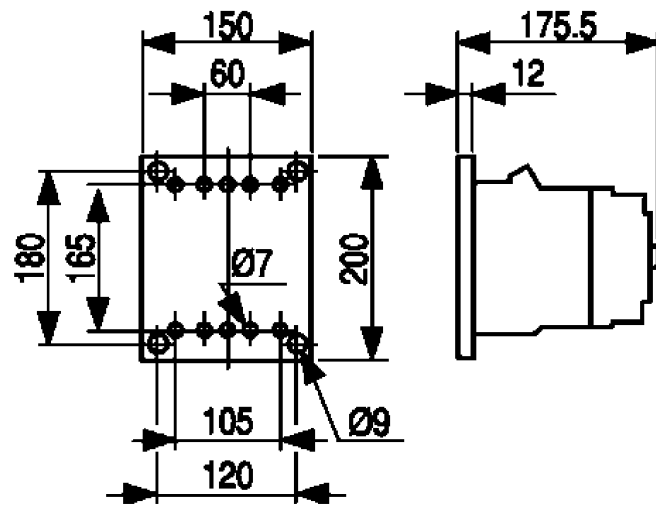




CK07B Contactor

WARNING: Disconnect power from source before installing, modifying or servicing.



IEC COUNTRIES

AC1			AC3			Three-phase					Starter Max. Full-load Amps				
P (kW)			P (kW)			Motor Voltage-60 Hertz									
220V	380V	500V	220V	380V	500V	Cat.No.	AC/DC	Pole	11	A1 Coil	200-208	220-240	440-480	550-600	380/415
76	143	173	30	55	75	CK07B	A E	4	11	<input type="checkbox"/>	N/A	N/A	N/A	N/A	N/A

USA & CANADA (UL, CSA)

COIL

With electronic module. AC/DC (Types CK__E__)

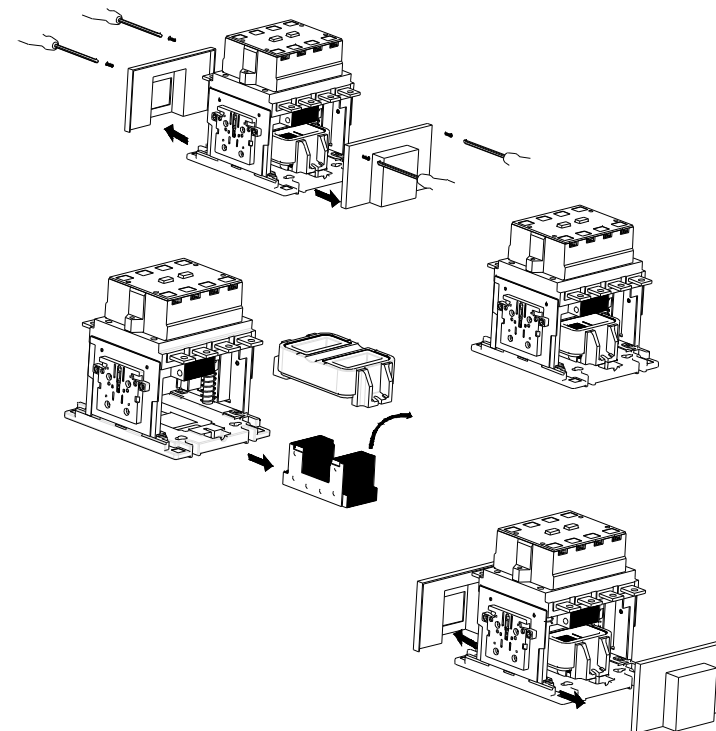
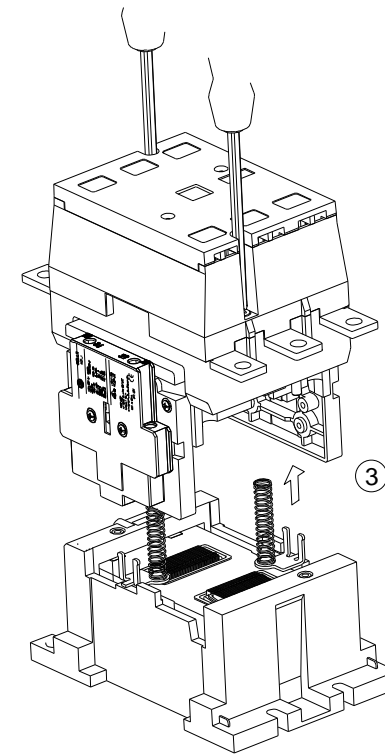
COD.	D	F	J	N	U	Y
VOLTAGE	24V 28V	42V 48V	110V 127V	220V 250V	380V 415V	440V 500V

W/o With electronic module. AC (Types CK__A__)

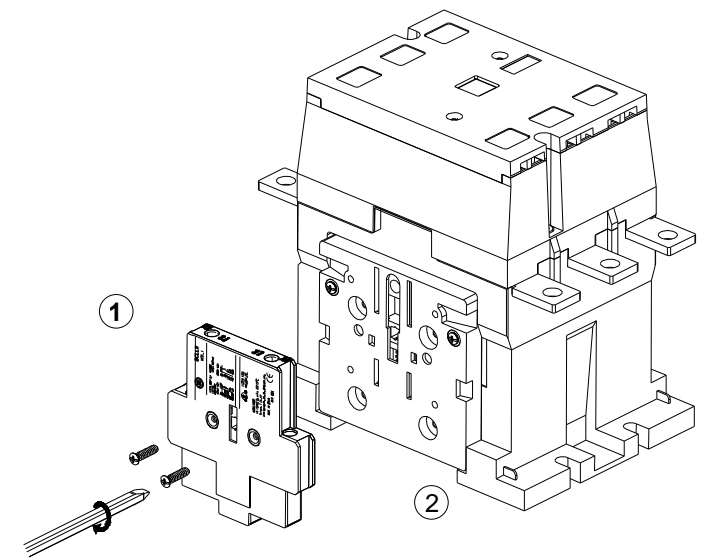
COD.	C	D	E	F	G	H	I	J	K	L	M	N	R	S	T	U	V	W	X	Y	Z
50 Hz		24V	32V	42V	48V			110V	127V			220V 230V	240V			380V 400V		415V	440V	500V	660V 690V
60 Hz	24V			48V		110V	120V			208V	220V	277V		240V	380V	480V	440V			600V	

COIL CHANGE

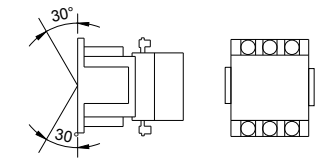
- 1 Remove lateral aux. block BCLL...
- 2 Remove contactor
- 3 Replace the coil



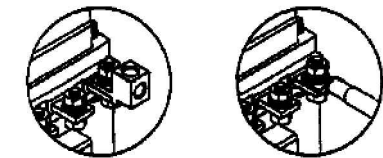
CONTACTS



MOUNTING



WIRING



USE LUG KITCKX02

产品质量检验证书
Product Quality Inspection Certificate
该产品通过质量检测
The product passed Quality Inspection
原产地: 波兰
Country of Origin: Poland
制造商: GE Power Controls
工厂地址: ul Lodowa 88
92-313 Lodz (Poland)

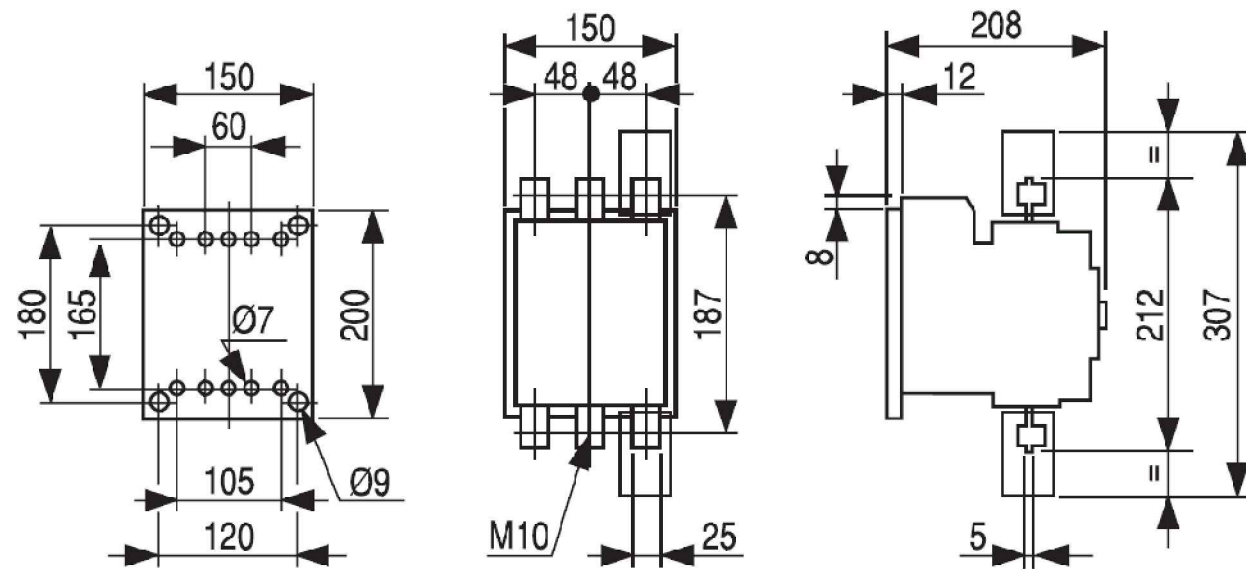
NOTE: Additional over-current protection may be required. Refer to the National Electrical Code or local electrical code as required.
Single phase applications: Single phase starters require all three overload heaters to be energized for proper operations. For single phase operations use separate conductor and connect overload load terminal T2 to contactor line terminal L3. Connect load to overload terminals T1 and T3. Connect incoming power to contactor line terminals L1 and L2.

These instructions do not purport cover all details or variations in equipment nor to provide for every possible contingency to be met in connection with installation operation maintenance. Should further information be desired or should particular problems arise which are not covered sufficiently for the purchaser's purposes, the matter should be referred to the GE Company.



CK85B Contactor

WARNING: Disconnect power from source before installing, modifying or servicing.



IEC COUNTRIES

AC1		AC3			Cat.No.	AC/DC	Pole	A1 Coil	Three-phase					Starter Max. Full-load Amps
P (kW)		P (kW)							Motor Voltage-60 Hertz					
220V	380V	220V	380V	500V	200-	220-	440-	550-	380/					
240V	415V	240V	415V	500V	208	240	480	600	415					
114	196	259	65	110	132	60	75	150	150	132	192			

USA & CANADA (UL, CSA)

① Suitable for use on circuit capable of delivering not more than 10,000 RMS symmetrical amperes, 600 volts maximum when protect by H, J, K, RK5 class fuses, or a circuit breaker having an interrupting rating not less than 10,000 RMS symmetrical amperes, 600 volts maximum. Use only whitn overload relay manufactured by GE POWER CONTROLS, serie RT. For use in enclosures whith minimum dimensions 42 in. by 16 in. by 10 in.

COIL

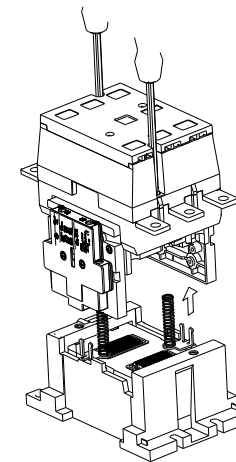
With electronic module. AC/DC (Types CK ___ E ___)

COD.	D	F	J	N	U	Y
VOLTAGE	24V	42V	110V	220V	380V	440V
	28V	48V	127V	250V	415V	500V

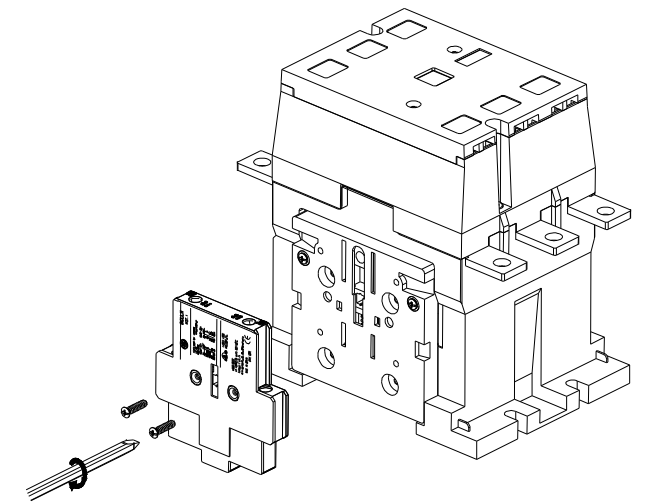
W/o With electronic module. AC (Types CK ___ A ___)

COD.	C	D	E	F	G	H	I	J	K	L	M	N	R	S	T	U	V	W	X	Y	Z
50 Hz		24V	32V	42V	48V			110V	127V			220V 230V	240V			380V 400V		415V	440V	500V	660V 690V
60 Hz	24V			48V		110V	120V			208V	220V	277V		240V	380V	480V	440V			600V	

COIL CHANGE



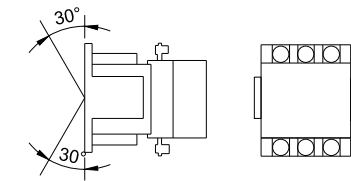
CONTACTS



Suitable For Use On A Circuit Capable Of Delivering Not More Than (a) RMS Symmetrical Amperes, (b) Volts Maximum, When Protected by (c) Class Fuses Rated (d) Amperes Maximum, or When Protected by (e) Type (f) Circuits Breakers, Rated (g) Amperes Maximum. For Use In Enclosures With Minimum Overall Dimensions of (h).¹

Catalog Number	Max FLA	Overload Relay Model	Short Circuit Rating		Maximum Fuse Size		Maximum Breaker Size			Minimum Enclosure Volume (cu in)
			RMS Sym Amperes (a)	Volts Max (b)	Class (c)	Max Size (d)	Make (e)	Model (f)	Max Size (g)	
CK08B 156	---	---	10,000	600	H, RK5, J or L	450A	---	---	---	6,720
CK85B 192	---	---	10,000	600	H, RK5, J or L	500A	---	---	---	6,720
CK08B 156	---	---	10,000	600	---	---	any	any	350A	6,720
CK85B 192	---	---	10,000	600	---	---	any	any	450A	6,720
CK09B 192	---	---	10,000	600	H, RK5, J or L	800A	---	---	---	6,720
CK95B 302	---	---	18,000	600	H, RK5, J or L	800A	---	---	---	6,720
CK09B 192	---	---	10,000	600	---	---	any	any	700A	6,720
CK95B 302	---	---	18,000	600	---	---	any	any	700A	6,720
CK08B 156	---	---	100,000	600	J	450A	---	---	---	11,960
CK85B 192	---	---	100,000	600	J	450A	---	---	---	11,960
CK08B 156	---	---	65,000	480	---	---	GE	SGL	600A	11,960
CK85B 192	---	---	65,000	480	---	---	GE	SGH	600A	11,960
CK85B 192	---	---	65,000	480	---	---	GE	SGL	600A	11,960
CK85B 192	---	---	65,000	480	---	---	GE	SGH	600A	11,960
CK08B 156	---	RT4,RTL4	65,000	480	---	---	GE	SGL	600A	11,960
CK08B 156	---	RT4,RTL4	35,000	480	---	---	GE	SGH	600A	11,960
CK85B 192	---	RT4,RTL4	65,000	480	---	---	GE	SGL	600A	11,960
CK85B 192	---	RT4,RTL4	35,000	480	---	---	GE	SGH	600A	11,960
CK09B 192	---	---	100,000	600	J	450A	---	---	---	11,960
CK95B 302	---	---	100,000	600	J	450A	---	---	---	11,960
CK09B 192	---	---	65,000	480	---	---	GE	SGL	600A	11,960
CK09B 192	---	---	35,000	480	---	---	GE	SGH	600A	11,960
CK95B 302	---	---	65,000	480	---	---	GE	SGL	600A	11,960
CK95B 302	---	---	35,000	480	---	---	GE	SGH	600A	11,960
CK09B 192	---	RT4,RTL4	65,000	480	---	---	GE	SGL	600A	11,960
CK09B 192	---	RT4,RTL4	35,000	480	---	---	GE	SGH	600A	11,960
CK95B 302	---	RT4,RTL4	65,000	480	---	---	GE	SGL	600A	11,960
CK95B 302	---	RT4,RTL4	35,000	480	---	---	GE	SGH	600A	11,960

MOUNTING



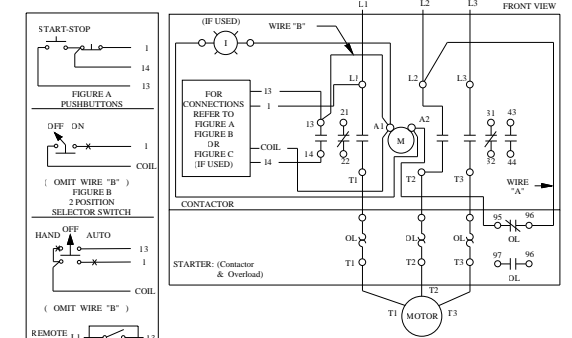
产品质量检验证书
Product Quality Inspection Certificate
该产品通过质量检测
The product passed Quality Inspection

原产地: 波兰
Country of Origin: Poland

制造商: GE Power Controls
Manufacturer: GE Power Controls

工厂地址: ul Lodowa 88
Factory address: ul Lodowa 88
92-313 Lodz (Poland)

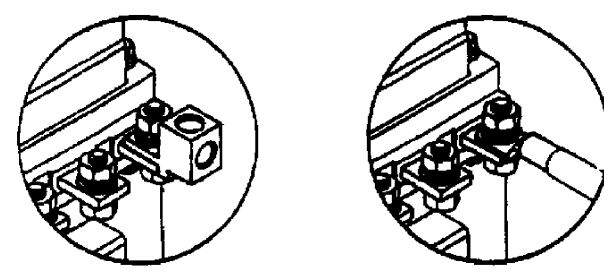
USA & CANADA WIRING DIAGRAM



M-Line Contactor. I-Indicating Light. D-Maintaining Contac Pilot Device. OL-Thermal Overload Relay. For Separate Control-On Contactors, omit wire "A" and connect source to coil and to 1 on control device.

NOTE: Additional over-current protection may be required. Refer to the National Electrical Code or local electrical code as required. Single phase applications: Single phase starters require all three overload heaters to be energized for proper operations. For single phase operations use separate conductor and connect overload load terminal T2 to contactor line terminal L3. Connect load to overload terminals T1 and T3. Connect incoming power to contactor line terminals L1 and L2.

USE LUG KIT



These instructions do not purport cover all details or variations in equipment nor to provide for every possible contingency to be met in connection with installation operation maintenance. Should further information be desired or should particular problems arise which are not covered sufficiently for the purchaser's purposes, the matter should be referred to the GE Company.